

F-I MONITOR OPTION

MODEL L731

Before installing this kit, a **TECHNICALLY QUALIFIED INDIVIDUAL**, who is familiar with this type of equipment and hazards involved, should **READ** this **ENTIRE INSTRUCTION SHEET**.

IMPORTANT

This kit may have been installed by the factory. However, certain steps can only be completed at the installation site. Therefore, review and then perform those steps which complete the installation process.

INTRODUCTION

When installed, this option provides a 0-10 VDC signal, which represents either Inverter Output Frequency, or Inverter Output Current. (Refer to Technical Manual description of control constants Cn-24 and Cn-25 for GAIN settings.)

CAUTION

THIS OPTION CONTAINS ELECTROSTATIC SENSITIVE DEVICES. PERSONNEL SHOULD BE GROUNDED BEFORE REMOVING CONTENTS FROM THE CARTON AND INSTALLING THIS INTO THE EQUIPMENT.

INSTALLATION

1. Disconnect all electrical power to drive.
2. Remove drive front cover.
3. Verify voltage has been disconnected by using a voltmeter to check for voltage at incoming power terminals.

WARNING

HAZARDOUS VOLTAGE CAN CAUSE SEVERE INJURY OR DEATH.

LOCK ALL POWER SOURCES FEEDING DRIVE IN "OFF" POSITION.

CHANGE RECORD				

DWG. NO. 02Y00025-0261
SHEET 1 OF 3
EFF. 11/15/88 (I)

Table 1. Specifications

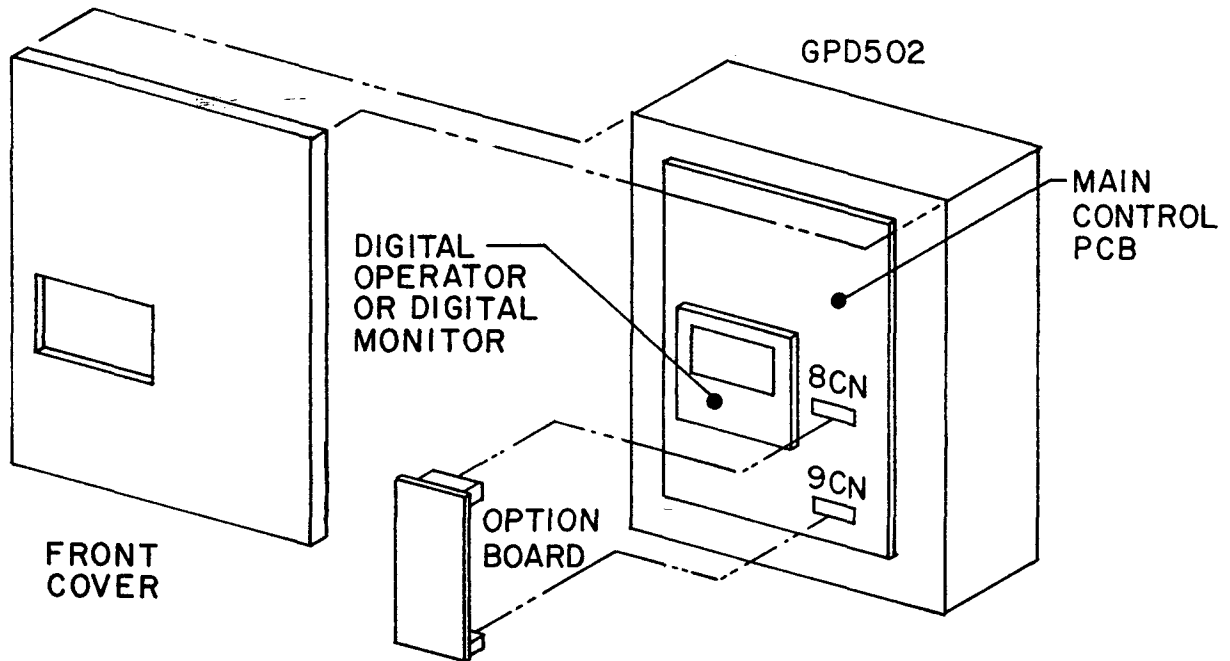
FUNCTION	PARAMETER	F-I MONITOR OUTPUT			UNIT
		MIN.	NOM.	MAX.	
Frequency Monitor (See description of Cn-24)	Vo		10/100% F		V
	Output Impedance		200		ohms
	Output Accuracy			0.5	%
Current Monitor (See description of Cn-25)	Vo		10/170% I		V
	Output Impedance		200		ohms
	Output Accuracy			3	%

Vo: Output Voltage, F: Inverter Output Frequency, I: Inverter Output Current

4. See Figure 1. Install the option on the Main Control Board, 1PCB, and insure 8CN and 9CN are properly connected. Make sure Electrostatic procedure is followed.
5. Wiring. See Figure 2. Connect signal wires to terminals 1 (+) (for Frequency Monitor Output) or 2 (+) (for Current Monitor Output) and 3 (-). Route wires from Inverter and connect to the input of the peripheral device.
6. Adjustments. There are no adjustments to be made on the F-I Monitor; however, the Lancer GPD 502 will have to be reprogrammed for the particular GAIN required for the application. Refer to Technical Manual description of control constants Cn-24 and Cn-25.
7. Reinstall and secure drive cover.
8. Place this instruction sheet with the Inverter Technical Manual.

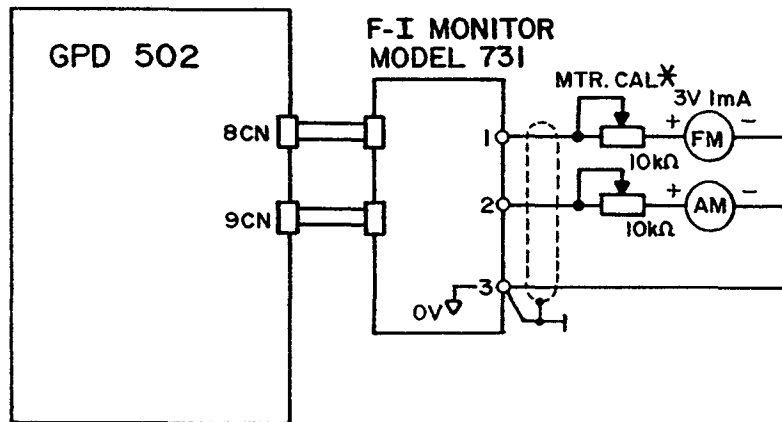
This completes installation of this option.

DWG. NO. 02Y00025-0261
 SHEET 2 OF 3
 EFF. 11/15/88 (I)



REF.2Y25.GPD502.OPTION

Figure 1. Installation Of F-I Monitor In GPD 502



* MTR. CAL can be omitted by setting of control constants Cn-24 and Cn-25. Otherwise, observe meter and calibrate for 1mA full scale deflection.

Figure 2. Interconnection Diagram For F-I Monitor

DWG. NO. 02Y00025-0261
 SHEET 3 OF 3
 EFF. 11/15/88 (I)