



For Lancer GPD 502, GPD 602
and GPD602 Centrifugal Control
Adjustable Frequency Drives

INSTRUCTION SHEET FOR
INTEGRAL-MOUNTING OPTION
AUXILIARY POTENTIOMETER CARDS
SEE PART NUMBERS IN TABLE 1

DESCRIPTION

Auxiliary potentiometer cards provide necessary adjustments at the inverter (Drive) for external control circuit inputs.

The four types, as listed in Table 1, provide different adjustment functions.

RECEIVING

All equipment is tested against defect at the factory. Any damages or shortages evident when the equipment is received must be reported immediately to the commercial carrier who transported the equipment. Assistance, if required, is available from your MagneTek representative.

Table 1. Auxiliary Potentiometer Cards

Type	MagneTek Part No.	For GPD*	Adjustment Function	Installation Figure
A	50194301	602 602C	2K ohm pot for control of manual frequency command, jog frequency, DC injection voltage or other mini-sequence functions; 1K ohm pot for use as a dropping resistor for min speed trim.	1
B	50194302	502 602 602C	2K ohm pot for use as a dropping resistor for min speed trim.	2
C	50194303	502 602 602C	10K ohm pot for remote frequency meter calibration.	3
D	50194304	502	2K ohm pot for control of manual frequency command; 1K ohm pot for use as a dropping resistor for max speed trim.	4

* 602C = 602 Centrifugal Control.

CHANGE RECORD			

DWG. NO. 02Y00025-0291
SHEET NO. 1 OF 6
EFF. 2/7/90 (m-df)

INSTALLATION

WARNING

HAZARDOUS VOLTAGE CAN CAUSE
SEVERE INJURY OR DEATH.

LOCK ALL POWER SOURCES FEEDING
DRIVE IN "OFF" POSITION

1. Turn off all electrical power to the drive.
2. Verify that the "CHARGE" lamp is out. Then loosen mounting screws and remove front cover.
3. Referring to the appropriate installation figure, remove screw(s) from the Drive control circuit terminals, position the potentiometer card and reinstall terminal screw(s) to secure the card.
4. If Type A or Type B card is being added to a GPD602 or a GPD602 Centrifugal Control, change Auxiliary Frequency Reference Signal Selector shunt on the Control PCB to the "R" position.

NOTE

With the shunt in this position, Analog Operator option's FREQ. SET pot (i.e. local SPEED pot) will be disabled.

5. For Type B or Type C card, also complete external circuit wiring as shown in the installation figure.
6. Replace and secure the Drive front cover.

ADJUSTMENTS

7. Apply power to the Drive and adjust the pot(s) on the card, and any associated external pot, to achieve desired drive system operation.

8. Place this instruction sheet with your Drive Technical Manual.

This completes installation of this option.

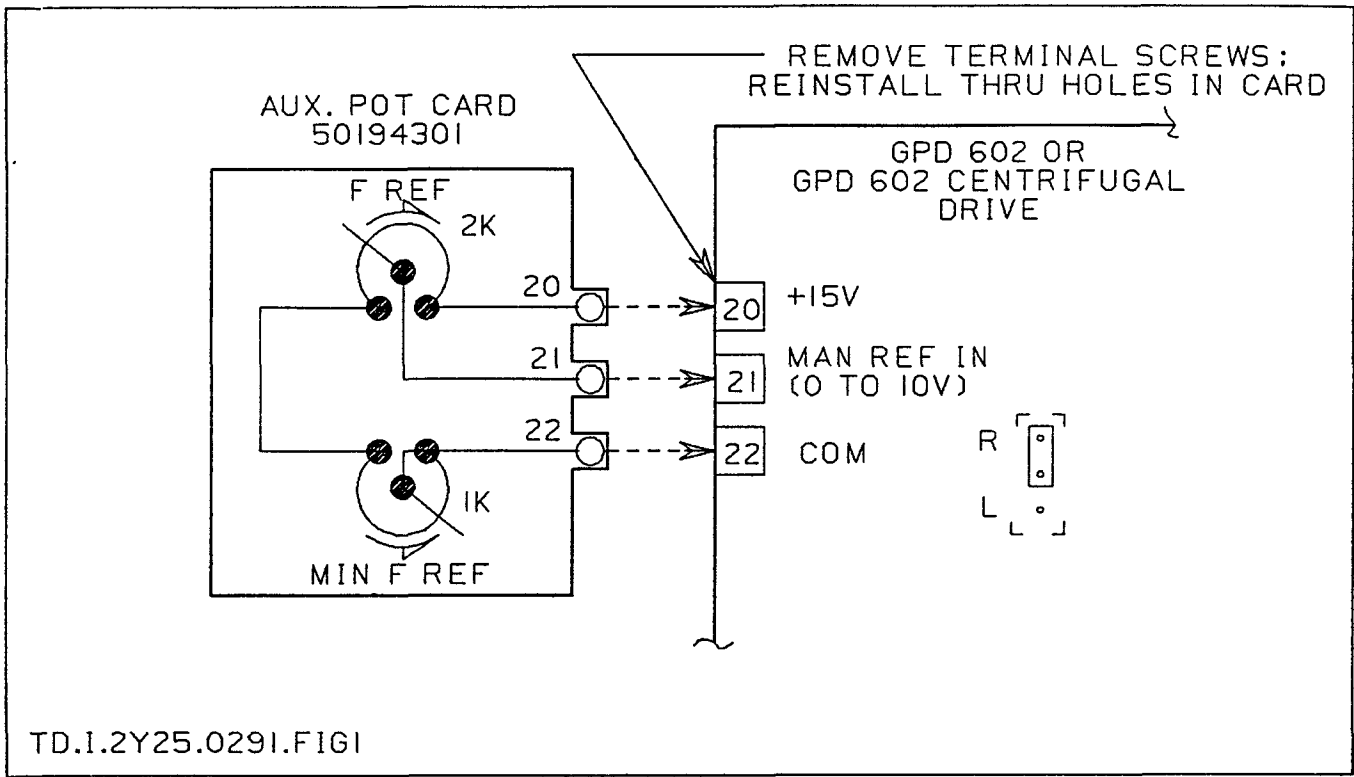


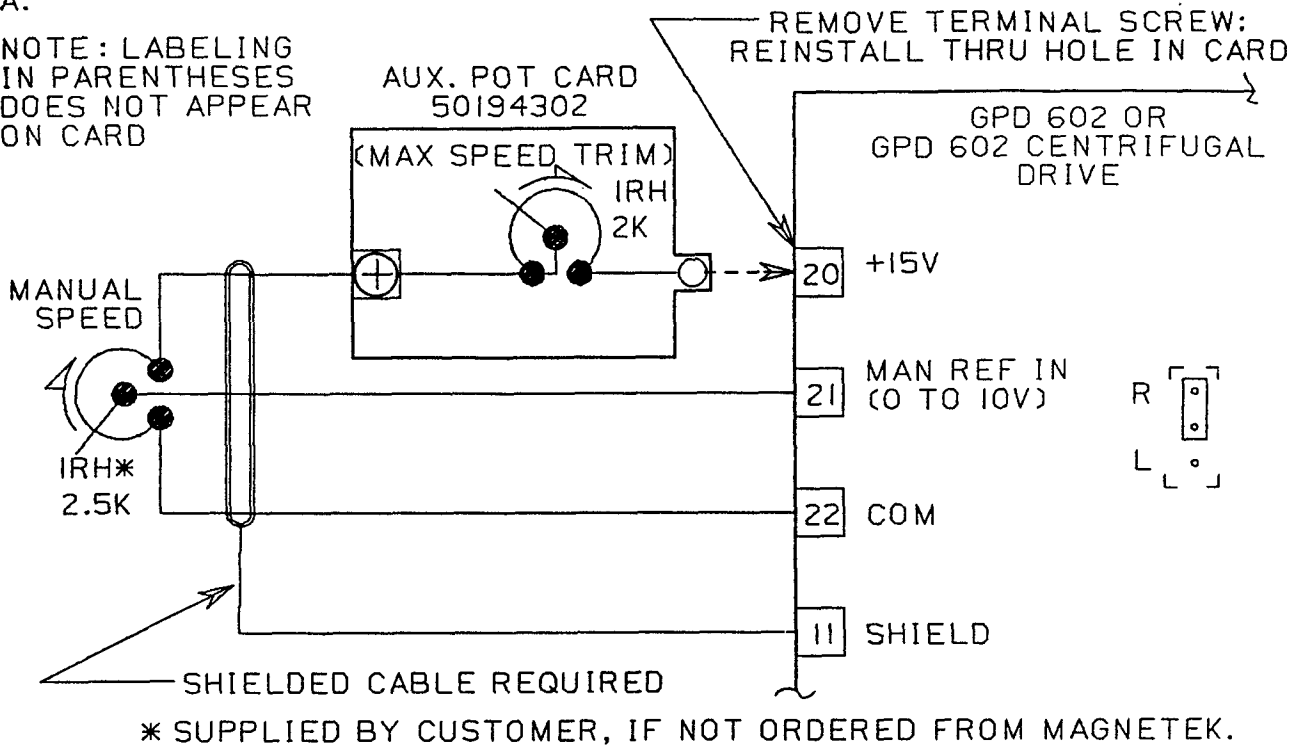
Figure 1

DWG. NO. 02Y00025-0291
 SHEET NO. 3 OF 6
 EFF. 2/7/90 (m-df)

Refer to Sheet 1 for latest change.

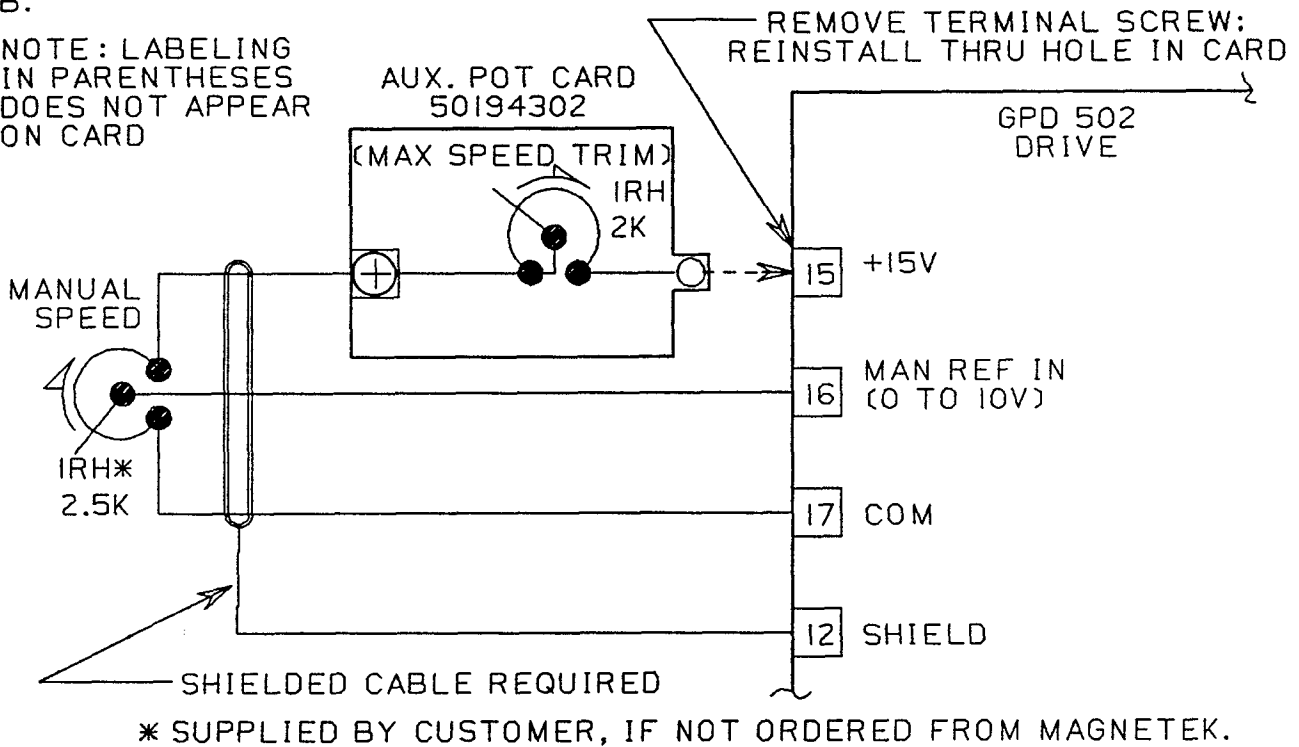
A.

NOTE: LABELING IN PARENTHESES DOES NOT APPEAR ON CARD



B.

NOTE: LABELING IN PARENTHESES DOES NOT APPEAR ON CARD



TD.I.2Y25.0291.FIG2

Figure 2

DWG. NO. 02Y00025-0291

SHEET NO. 4 OF 6

EFF. 2/7/90

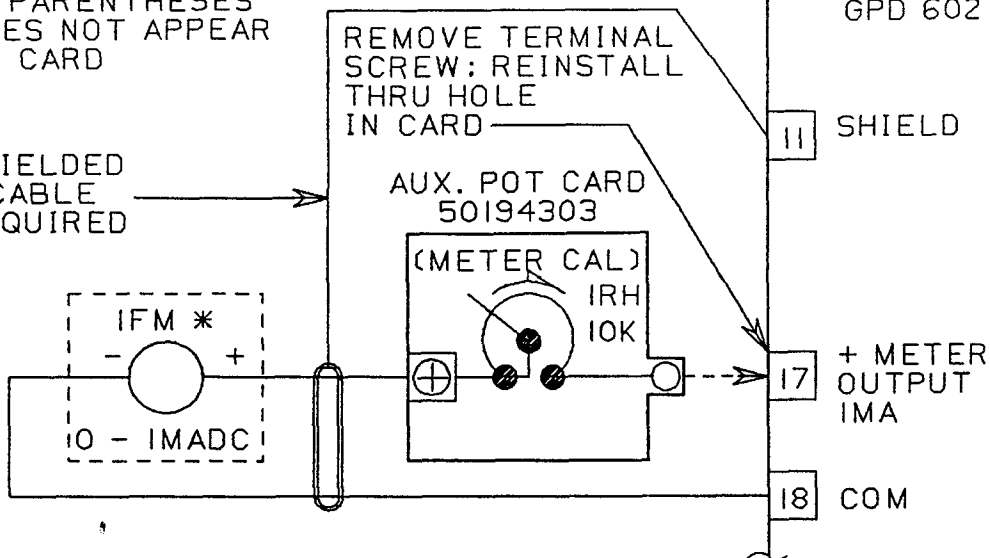
(m-df)

Refer to Sheet 1 for latest change.

A.

NOTE: LABELING
IN PARENTHESES
DOES NOT APPEAR
ON CARD

SHIELDED
CABLE
REQUIRED



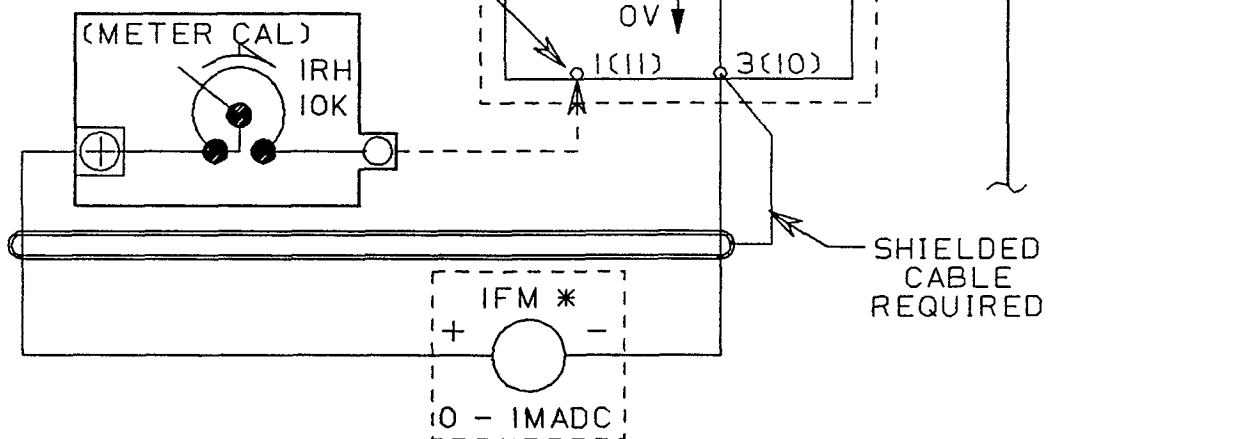
* SUPPLIED BY CUSTOMER, IF NOT ORDERED FROM MAGNETEK.

B.

NOTE: LABELING
IN PARENTHESES
DOES NOT APPEAR
ON CARD

REMOVE TERMINAL
SCREW; REINSTALL
THRU HOLE
IN CARD

AUX. POT CARD
50194303



* SUPPLIED BY CUSTOMER, IF NOT ORDERED FROM MAGNETEK.

TD.I.2Y25.0291.FIG3

Figure 3

DWG. NO. 02Y00025-0291

SHEET NO. 5 OF 6

EFF. 2/7/90

(m-df)

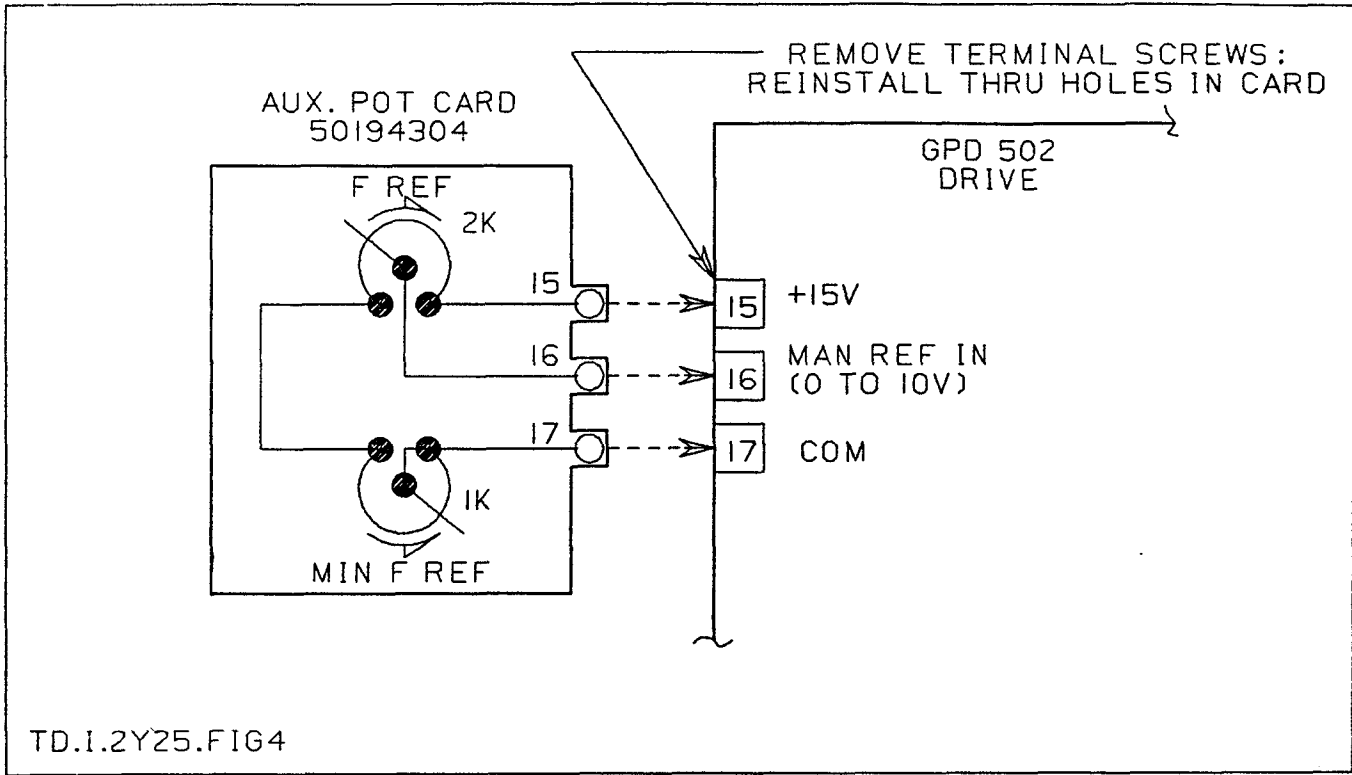


Figure 4