

External-Mounting Option
3-15 PSI Pressure Transducer Kit
Model No. DS597

DESCRIPTION

The Pressure Transducer Kit converts a 3-15 PSI speed reference signal to an analog (0 to +10 VDC) input for control of the GPD Drive output frequency. This kit must receive power from the Drive's 15VDC supply or some other DC supply capable of 15VDC.

The kit is comprised of the following components:

- QTY (3) Female to Male Adapter
- QTY (1) Female to Male Elbow
- QTY (1) Pressure transducer (with a resistor in series with the white lead)

RECEIVING

All equipment is tested against defect at the factory. Report any damages or shortages evident when the equipment is received to the commercial carrier who transported the equipment.

INSTALLATION AND WIRING

WARNING

HAZARDOUS VOLTAGE CAN CAUSE SEVERE INJURY OR DEATH. LOCK ALL POWER SOURCES FEEDING DRIVE IN "OFF" POSITION.

1. Turn off all electrical power to the Drive.
2. Remove Drive front cover. Check that the "CHARGE" inside Drive is off.
3. Mount the Transducer close to the Drive, using the module (Figure 1) as a template for mounting hole spacing and hardware size.

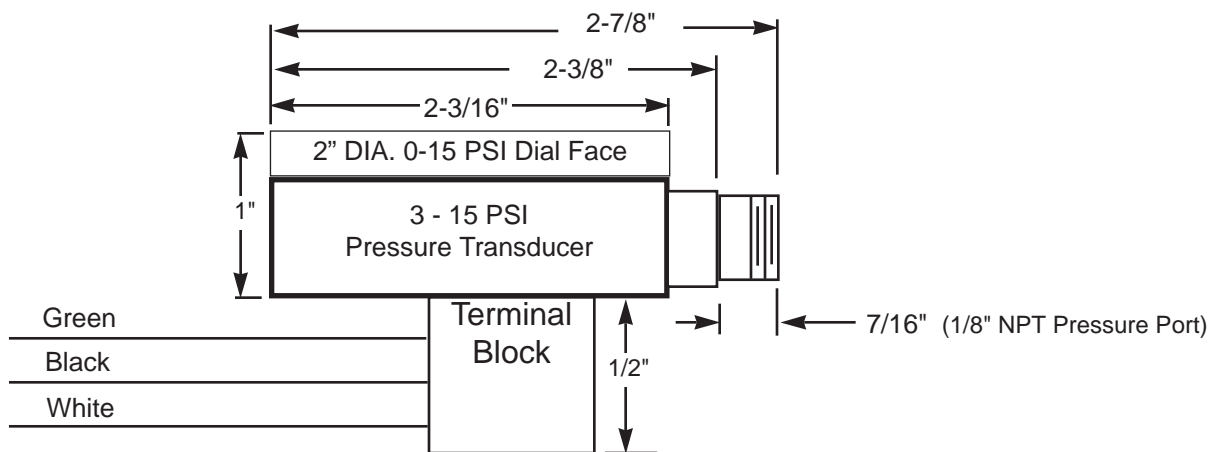


Figure 1. Transducer Module

| CHANGE RECORD | | | | |
|---------------|----------|---------|--|--|
| 1 | STD-6419 | 3-22-97 | | |
| 2 | STD-7844 | 8/10/98 | | |

DWG. NO. 02Y00025-0404
SHEET NO. 1 OF 2
REL. 3/10/98 (m-df)

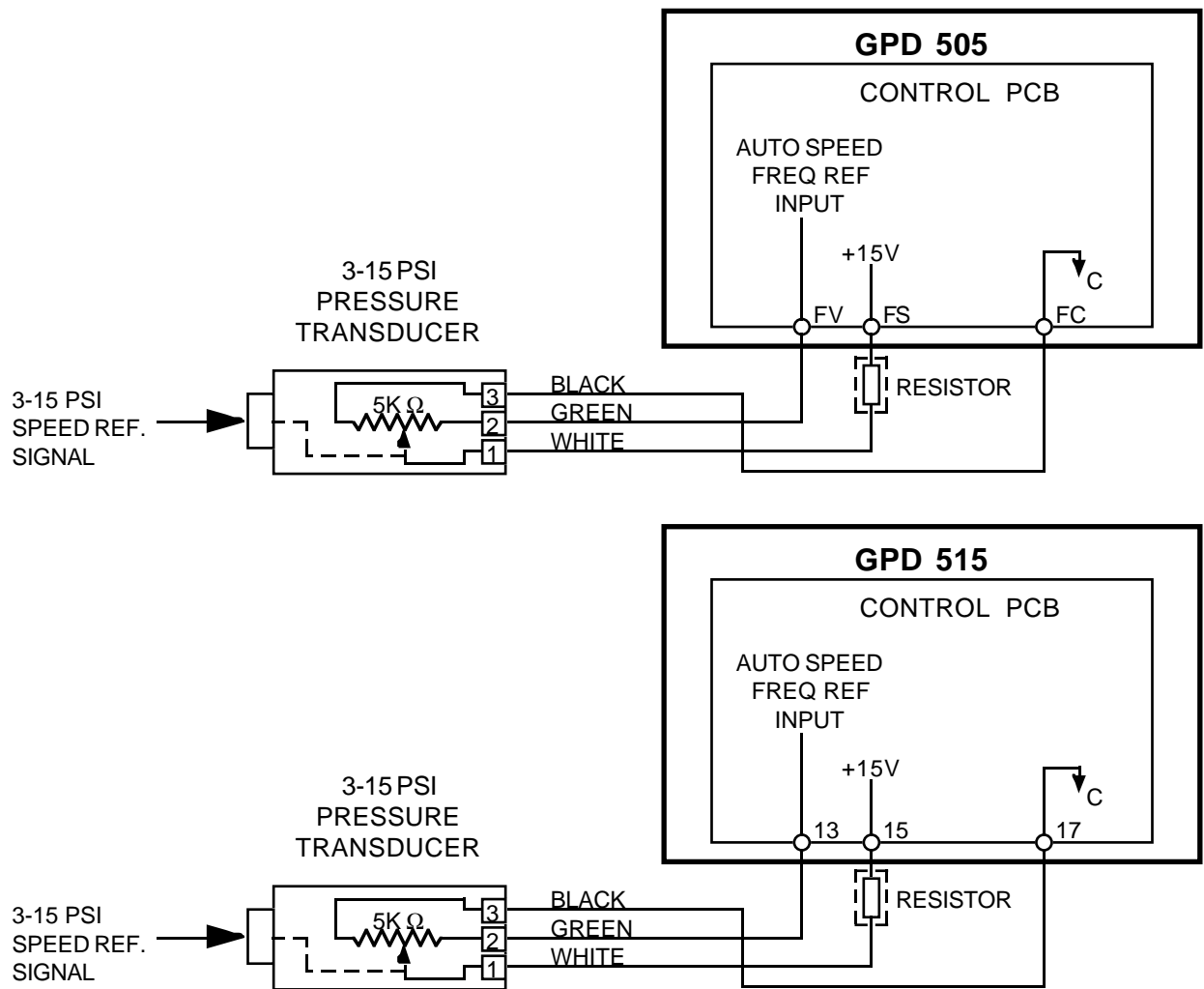


Figure 2. Wiring of Pressure Transducer Kit

4. Connect leads from the Transducer to terminals inside the Drive. See Figure 2.
5. Connect the 3-15 PSI speed reference pneumatic signal to the Transducer's input port.
6. Replace and secure the Drive front cover.
7. Reapply input power to the Drive.

8. **Programming.** Complete the frequency reference bias/gain parameters adjustment procedure indicated below, for proper Drive frequency output with the 3-15 PSI speed reference signal;

GPD 505: Parameters **n046** and **n047**. Refer to Technical Manual TM 4505.

GPD 515: Parameters **H3-02** and **H3-03**. Refer to Technical Manual TM 4515.

9. Insert this instruction sheet in your Drive technical manual.

This completes installation of this kit.