

DWG.NO. 900-011-332

Encoder Terminal Connection

No.	Description	Color
1	PG 5 V	Red
2	PG 0 V (GND)	Black
3	Phase A+	Blue
4	Phase A-	Blue/ White
5	Phase B+	Yellow
6	Phase B-	Yellow/ White
7	Phase /Z	Purple
8	Phase U	Gray
9	Phase V	Green
10	Phase W	Orange
11	-	-
12	Frame Ground	Shield Wire

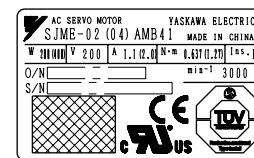
Motor Terminal Connection

No.	Description	Color
1	Phase U	Red
2	Phase V	White
3	Phase W	Blue
4	Frame Ground	Green/ Yellow
5	-	-
6	-	-

Encoder cable: 6DIA.Black
UL20276, AWG22 (Red, Black)
AWG26 (Except for Red, Black)

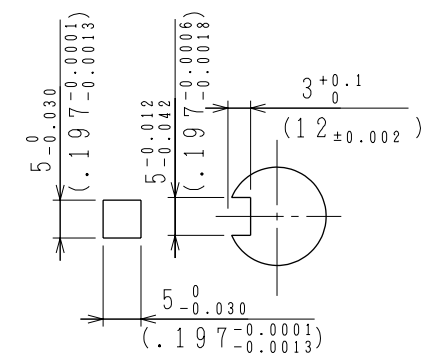
Plug : 5559-12P-210 (Molex)
Terminal : 5558T2 (chained) or 5558T2L (detached)
Connected to
Receptacle: 5557-12R-210
Terminal : 5556T2 (chained) or 5556T2L (detached)

Plug : 5559-06P-210 (Molex)
Terminal : 5558T (chained) or [No.1 to 3] 5558TL (detached)
Grounding Pin : 30490-2002 (chained) or [No.4] 30490-2012 (detached)
Connected to
Receptacle: 5557-06R-210
Terminal : 5556T (chained) or 5556TL (detached)



Name Plate

View B

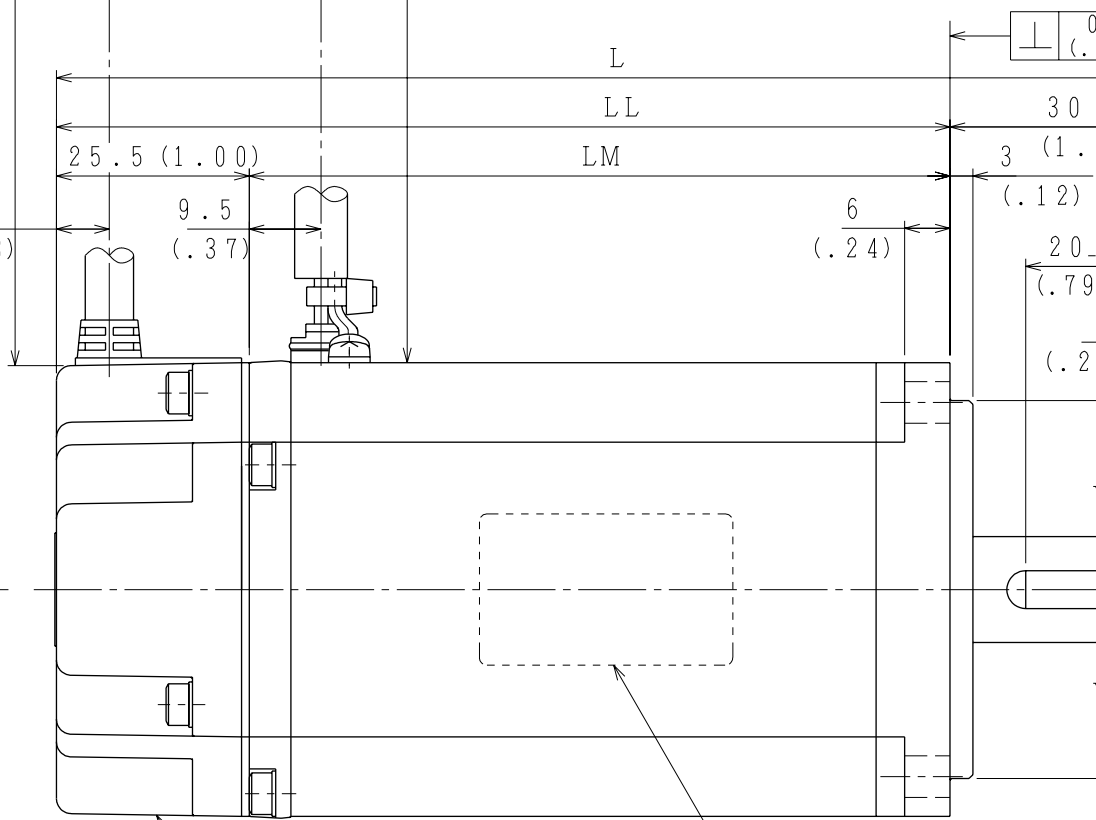
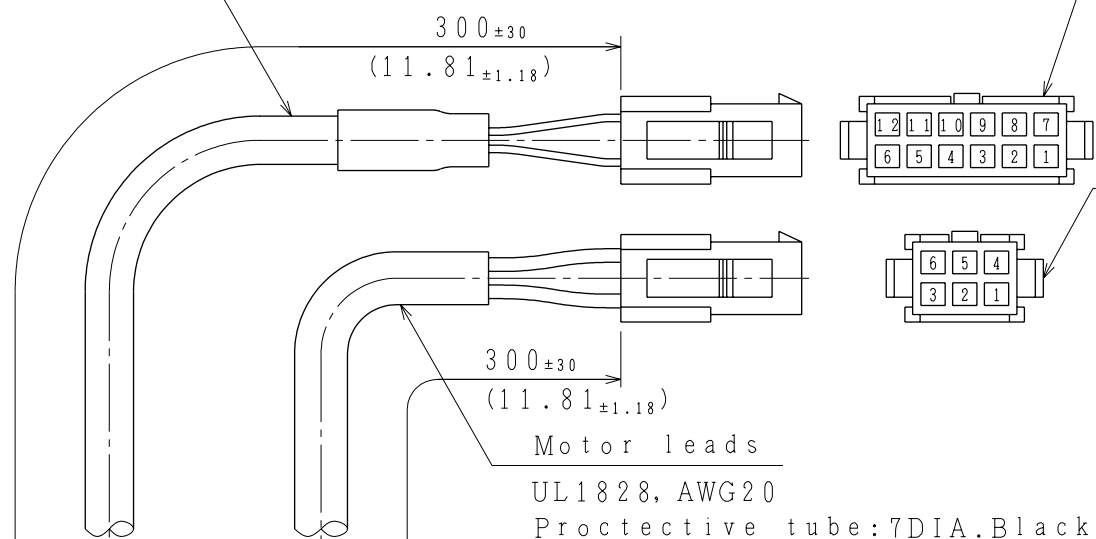


Key Keyway

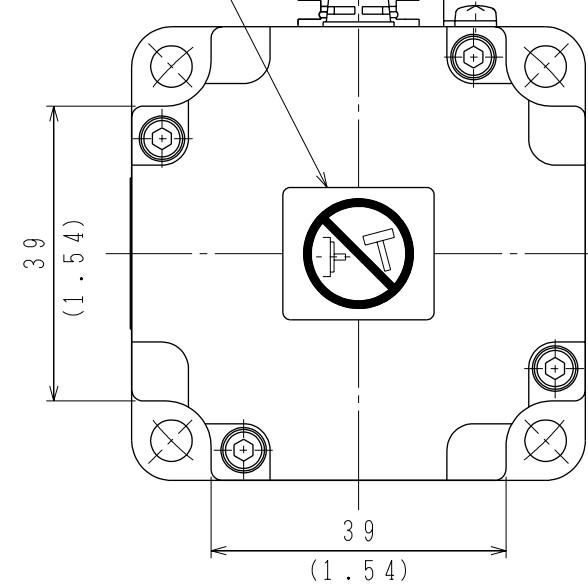
View Y-Y

Name plate

Notes: 5
Screw for Frame ground

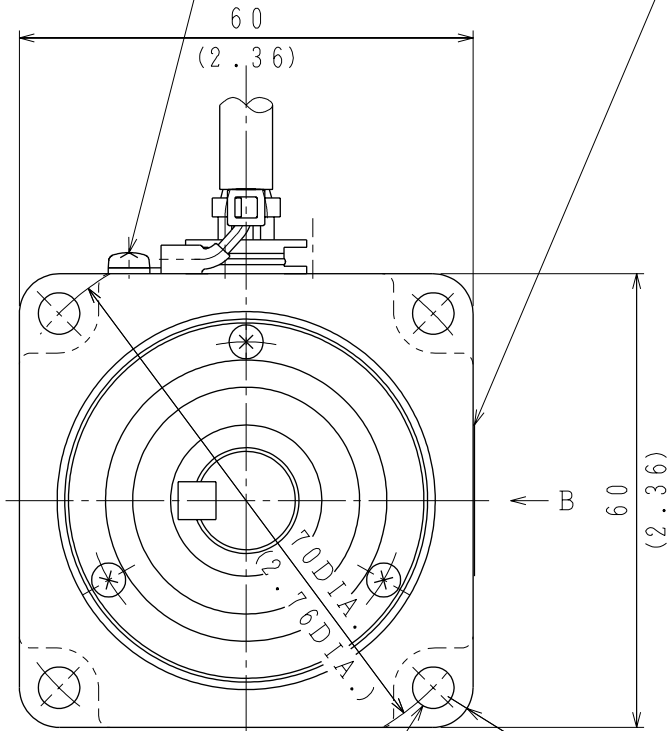


Name plate



Incremental encoder

Name plate



Notes: 1. Motor specifications : DP0491511 (200W)
2. Encoder specifications: DP0494062
3. Dimensions of the keyway are conformed to JIS (Japanese Industrial Standard) No. B1301 "Sunk keys and their corresponding keyways (close keys)".
4. Degrees of protection: IP55 (except for connectors and drive end side)
5. Do not remove the screw connecting motor frame and frame ground lead.
6. All dimensions are in millimeters (inches).

ITEM No.	Type	L	LL	LM	Rated Output (W)	Rated Torque (N·m (lb·in))	Time Rating	Rated Rotation Speed (min ⁻¹)	Weight (kg (lb))	Allowable Radial Load Fr (N (lb))	Allowable Thrust Load (N (lb))
1	SJME-02AMB41	125.5 (4.94)	95.5 (3.76)	70 (2.76)	200	0.637 (5.64)	Continuous	3000	0.9 (2.0)	245 (55.1)	74 (16.6)
2	SJME-04AMB41	148.5 (5.85)	118.5 (4.67)	93 (3.66)	400	1.27 (11.2)			1.3 (2.9)		



DRAW. T. Watanabe
CHECK N. Yoshizawa
APPR. K. Aoki

TITLE AC SERVOMOTOR JUNMA SERIES
(200W、400W)

DATE MAR.22.'07
DWG.NO. 900-011-332
REV.