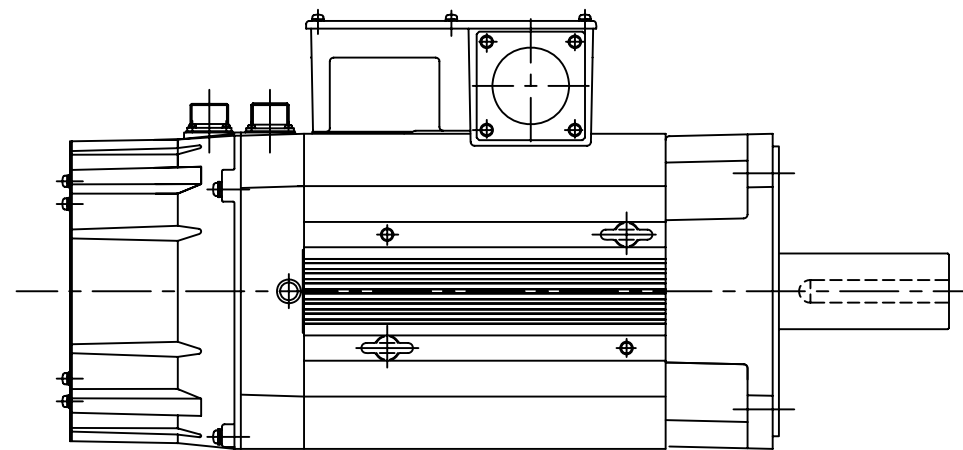
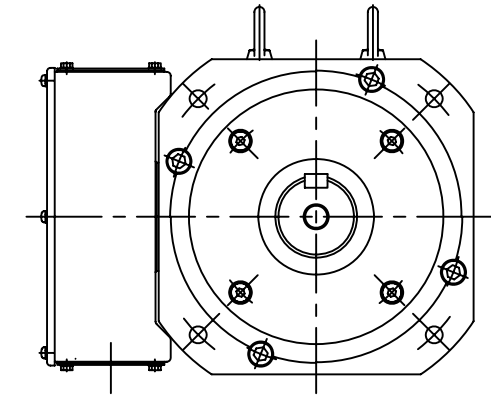
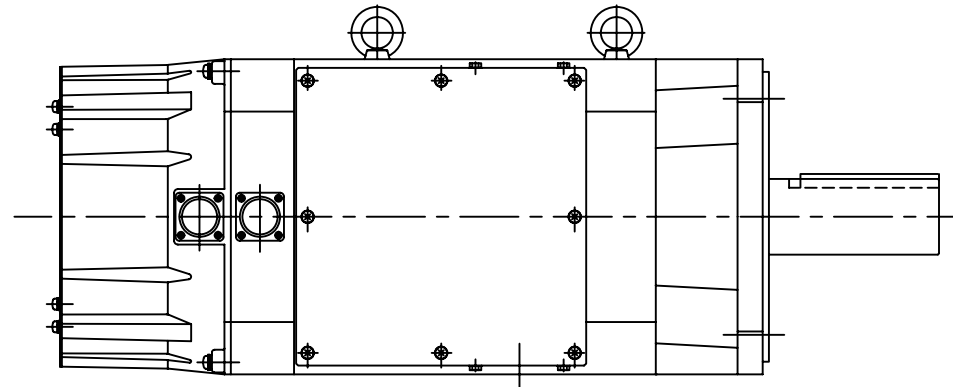
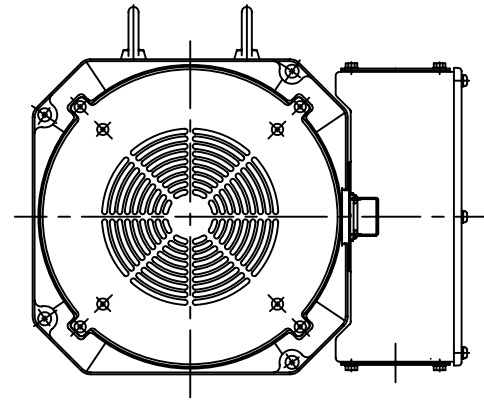


NO	TYPE
1	SGMVH-3Z□□B6□ (without brake)
2	SGMVV-3Z□□B6□ (without brake)



If printed on A3 paper size,  
the scale on the print is 1:6  
The CAD scale is 1:1