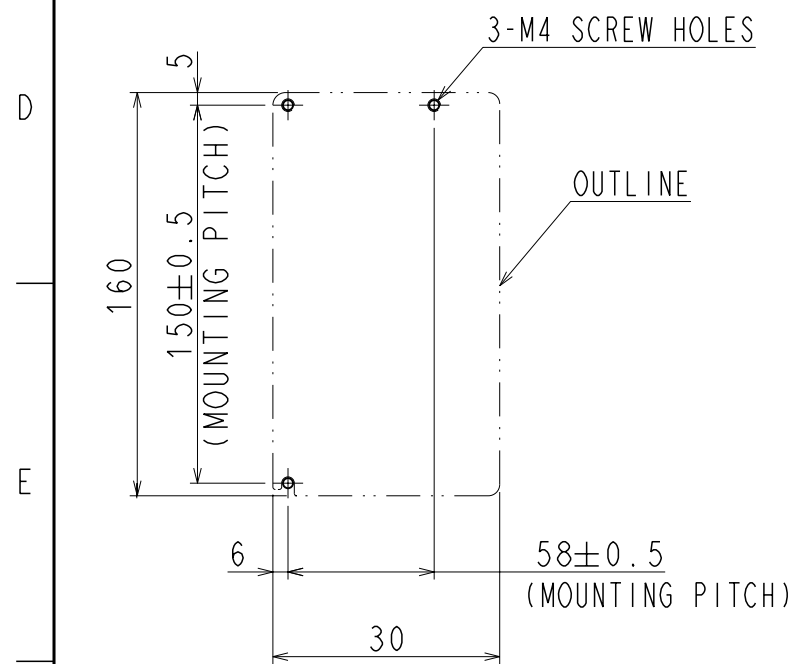
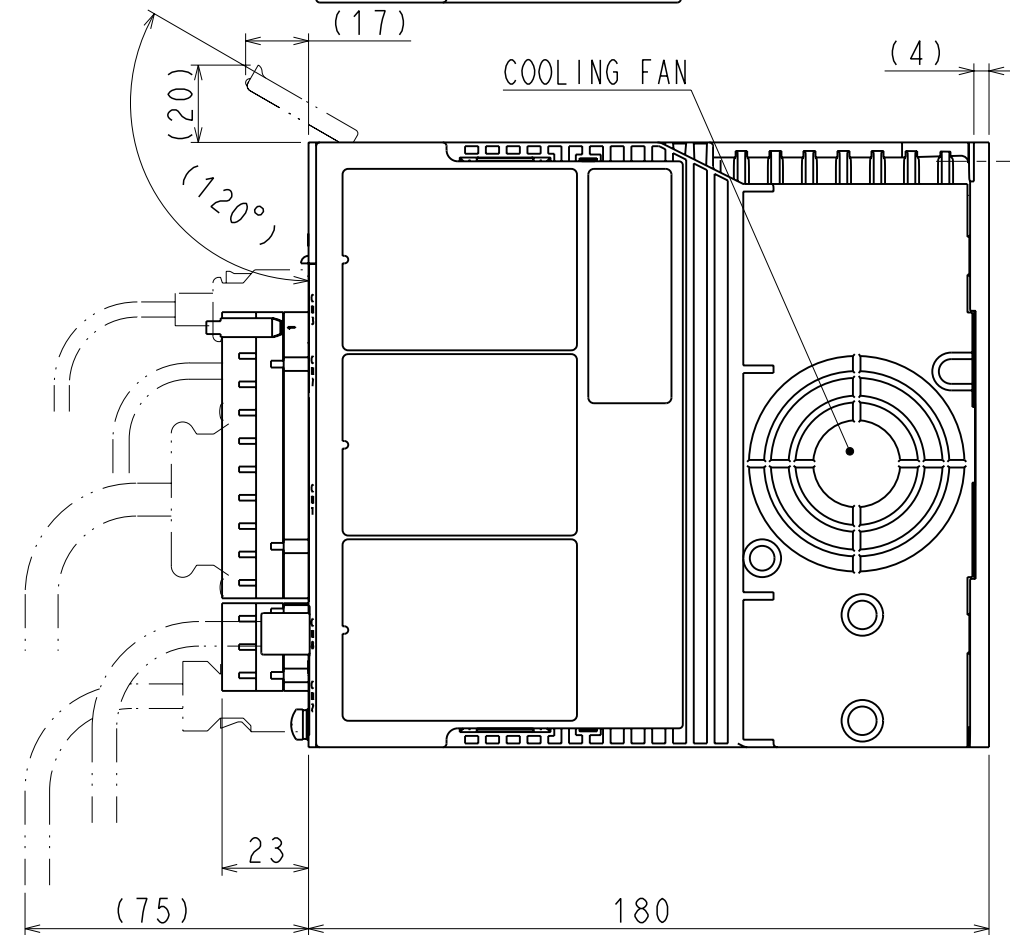
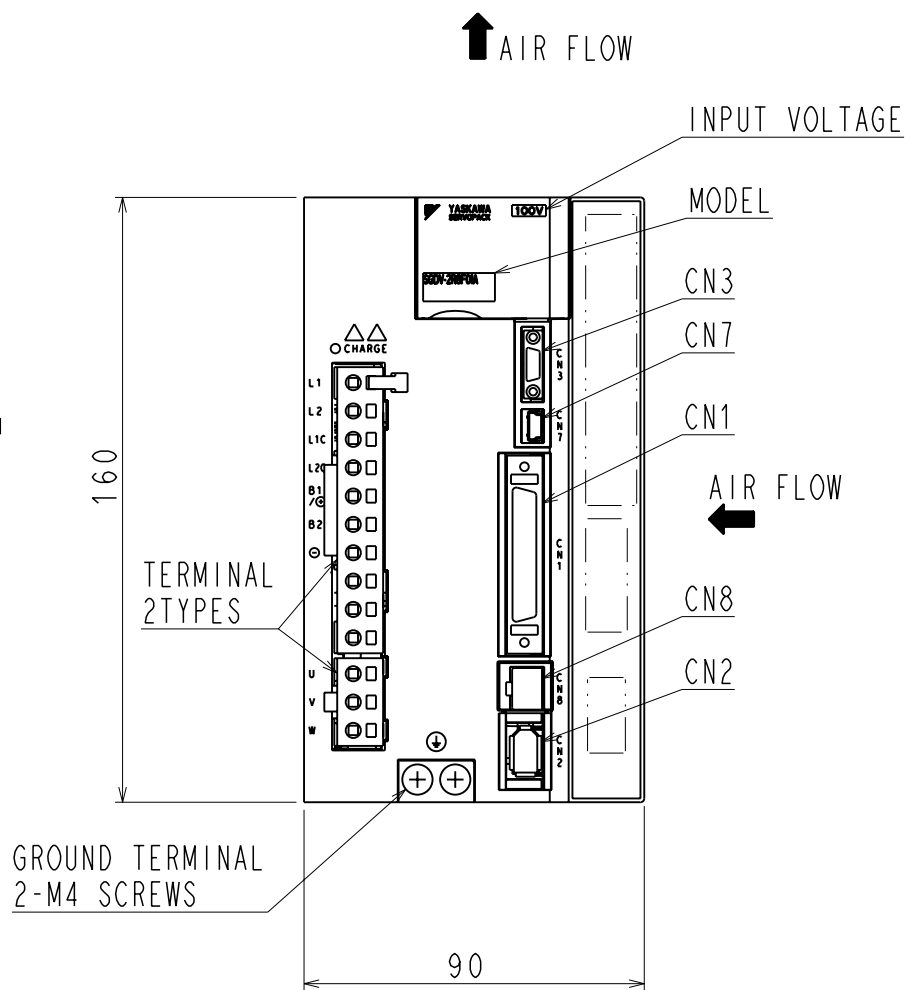
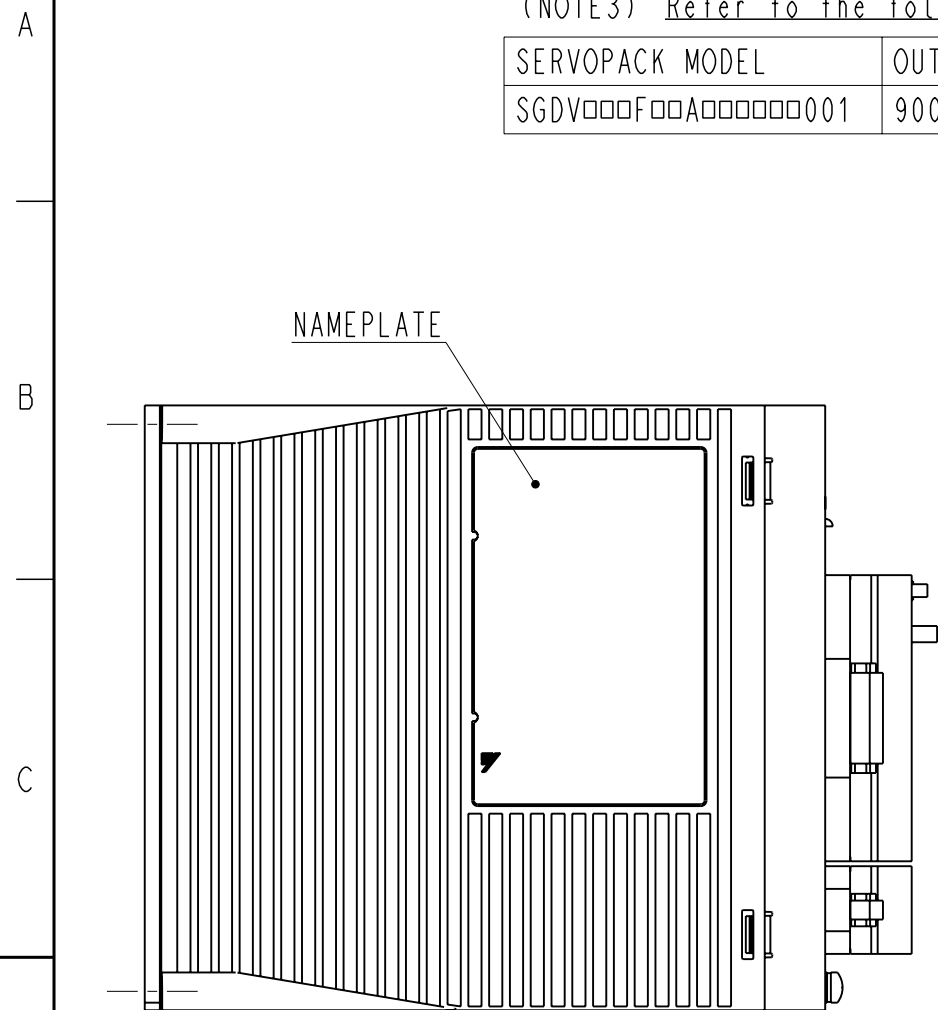


DWG. NO. 900-027-735-2/2

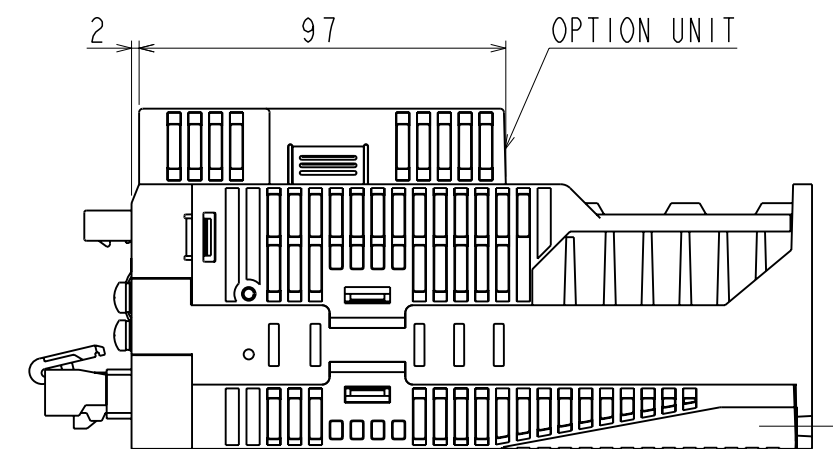
(NOTE1) This drawing is the base-mounted type.
 (NOTE2) Refer to the USER'S MANUAL for a standard for installation.
 (NOTE3) Refer to the following drawing for the connector of the option part.

SERVOPACK MODEL	OUTLINE DRAWING OF OPTION UNIT	OPTION CARD
SGDV□□□F□□A□□□□□□001	900-018-923	FULLY CLOSED I/F CARD



PART No.	MODEL	NUMBER OF CONTACTS	MANUFACTURER
CN1	10250-52A2PL	50	SUMITOMO 3M LIMITED
CN2	53984-0671	6	MOLEX JAPAN CO., LTD.
CN3	HDR-EC14LFDTN-SLE-PLUS	14	HONDA TSUSHIN KOGYO CO., LTD.
CN7	MNC23-5K5H00	5	ADVANCED-CONNECTEK INC.
CN8	1981080-1	8	Tyco Electronics AMP K.K.

The above or the equivalent is used.



MOUNTING HOLE DIAGRAM

APPROX. MASS: 1.6kg
 DIMENSION IN mm

REFERENCE ONLY

YASKAWA
 株式会社 安川電機

SCALE 1 : 2

TITLE OUTLINE DRAWING OF SERVOPACK
 SGD V2R8F□□A*
 (□□: 01, 05) (*: OPTION CODE)

REV. 2/2

DWG. NO. **900-027-735**

SIZE A3