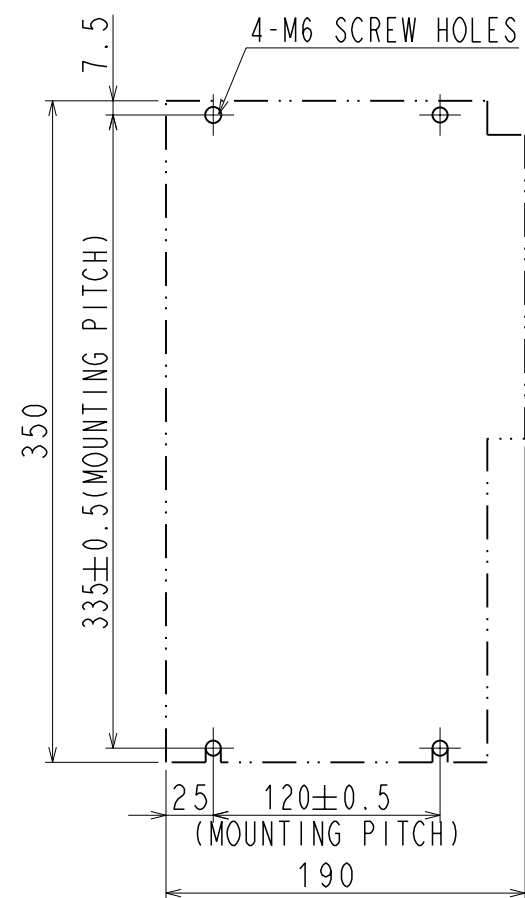
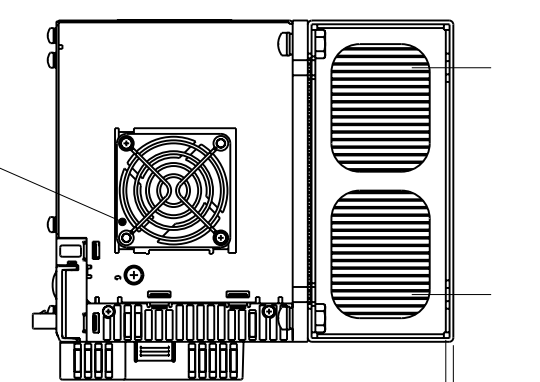


DWG. NO. 900-048-293-2/2

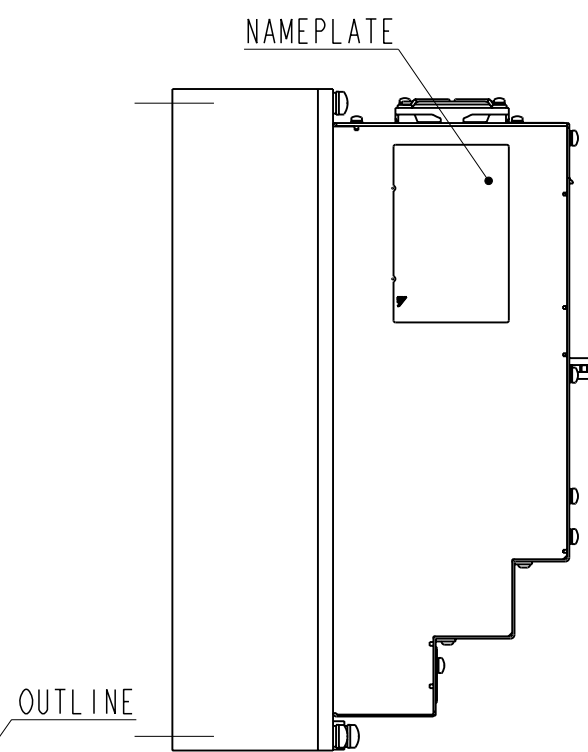
(NOTE1) This drawing is the base-mounted type.  
 (NOTE2) Refer to the USER'S MANUAL for a standard for installation.  
 (NOTE3) Refer to the following drawing for the connector of the option part.

SERVOPACK MODEL	OUTLINE DRAWING OF OPTION UNIT	OPTION CARD	APPROX. MASS
SGDV□□□A□□A□□□□□□001	900-018-923	FULLY CLOSED I/F CARD	10.3kg

COOLING FAN



MOUNTING HOLE DIAGRAM



GROUND TERMINAL  
2-M6 SCREWS

↑ AIR FLOW

INPUT VOLTAGE MODEL (18)

CN3  
CN7  
CN1  
CN8  
CN2

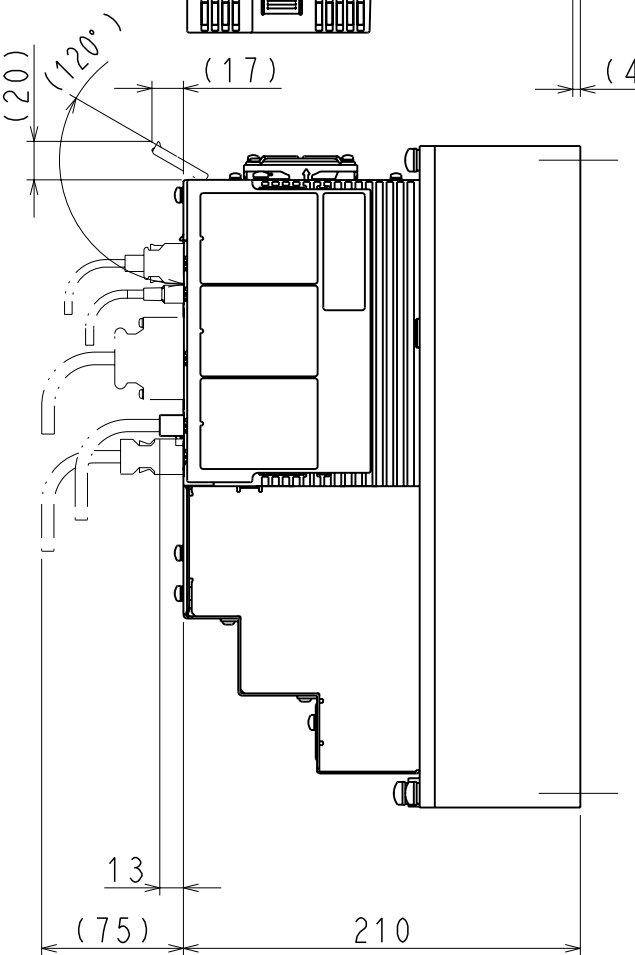
TERMINAL 5-M6 SCREWS

TERMINAL 6-M6 SCREWS

↑ AIR FLOW

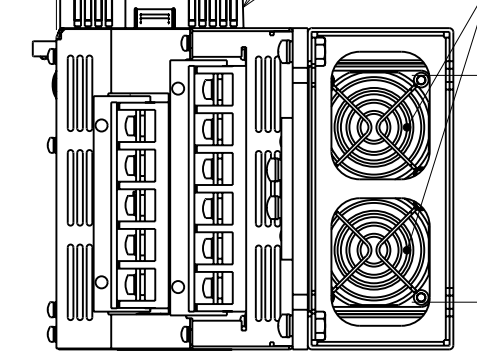
PART No.	MODEL	NUMBER OF CONTACTS	MANUFACTURER
CN1	10250-52A2PL	50	SUMITOMO 3M LIMITED
CN2	53984-0671	6	MOLEX JAPAN CO., LTD.
CN3	HDR-EC14LFDTN-SLE-PLUS	14	HONDA TSUSHIN KOGYO CO., LTD.
CN7	MNC23-5K5H00	5	ADVANCED-CONNECTEK INC.
CN8	1981080-1	8	Tyco Electronics AMP K.K.

The above or the equivalent is used.



OPTION UNIT

COOLING FAN



DIMENSION IN mm

REFERENCE ONLY

**YASKAWA**  
 株式会社 安川電機  
  
 SCALE 1 : 4

TITLE OUTLINE DRAWING OF SERVOPACK  
 SGD V470/550A□□A\*  
 (□□: 01, 05) (\*: OPTION CODE)

DWG. NO. **900-048-293**  
 REV. 2/2

SIZE A3