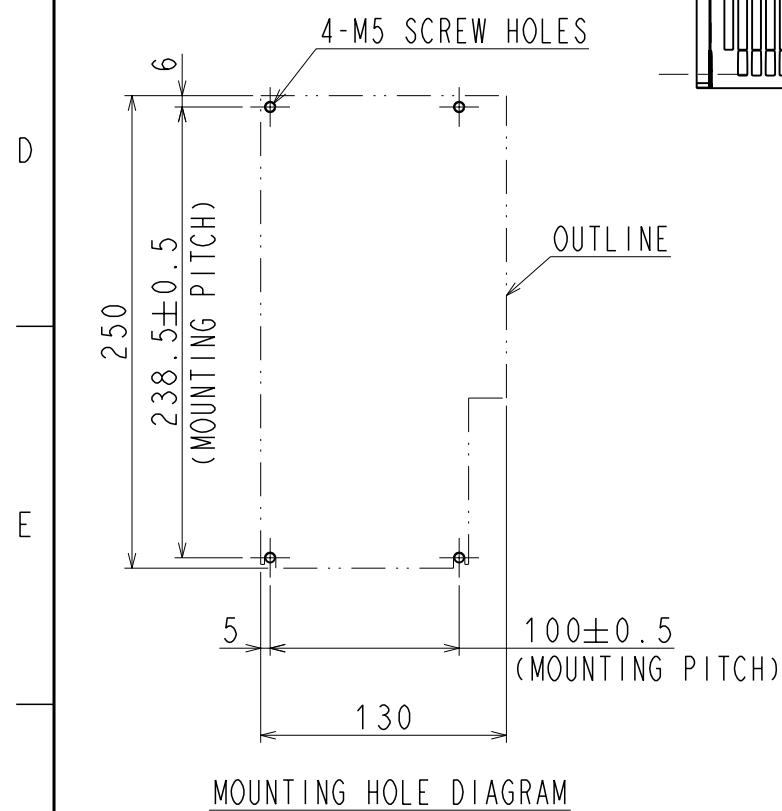
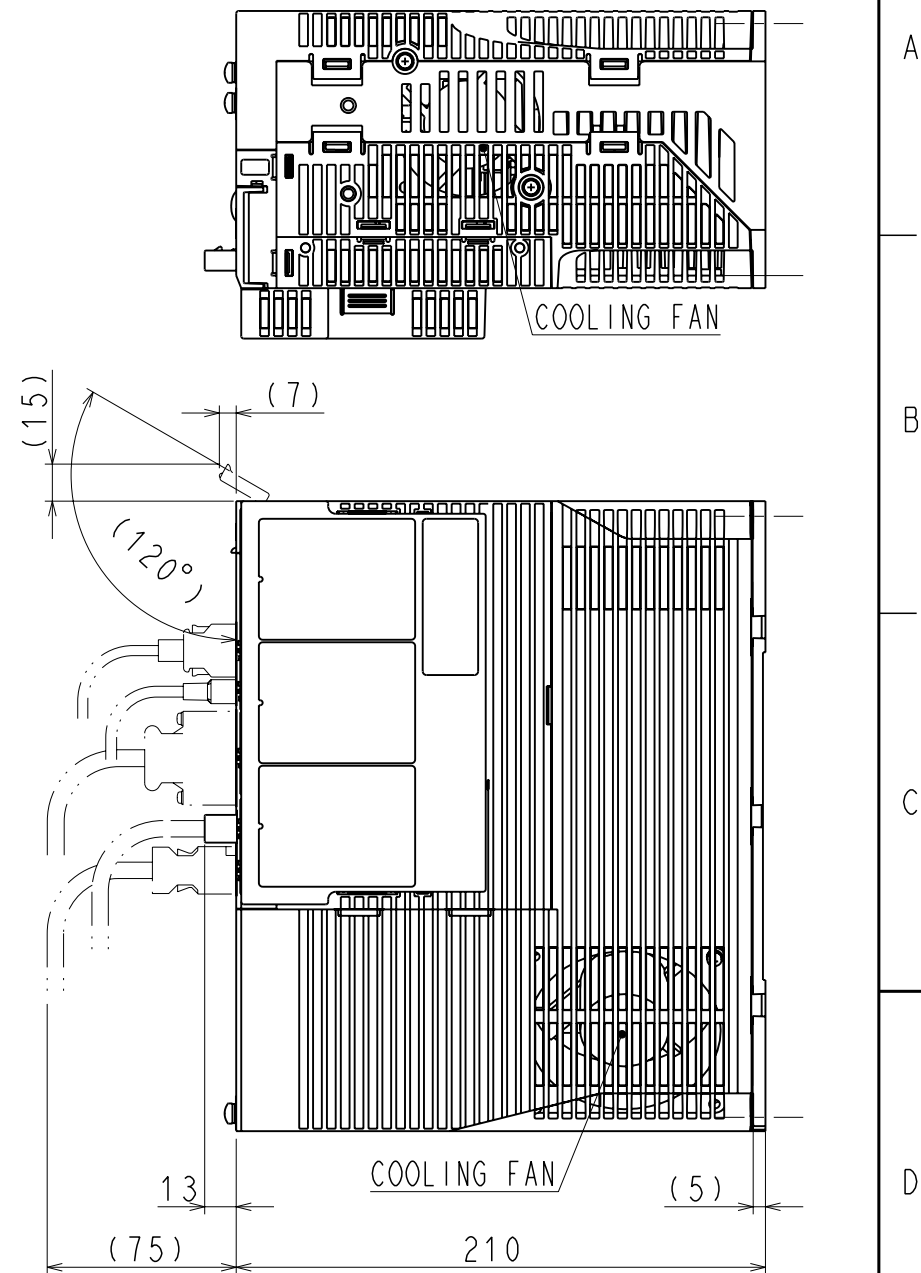
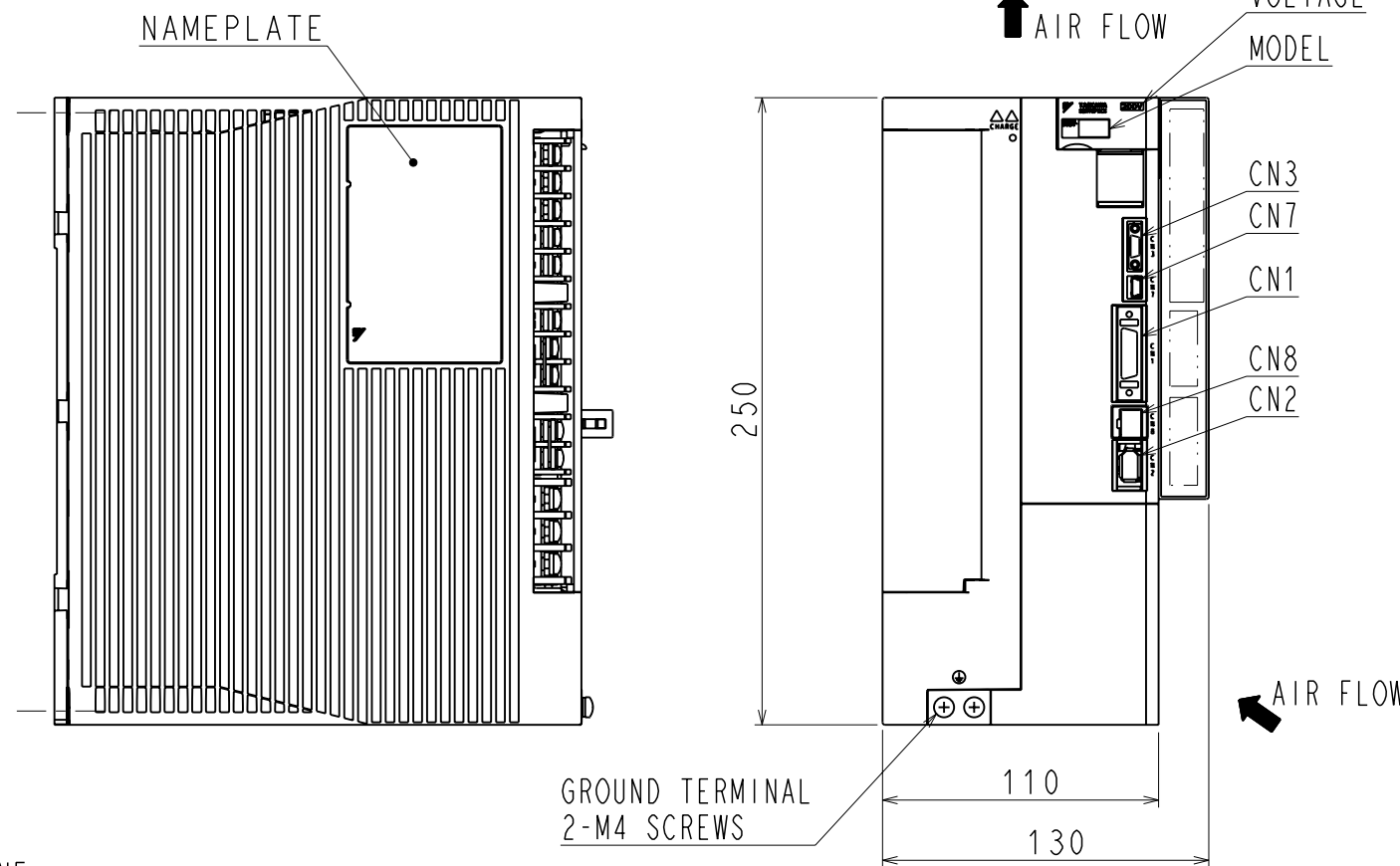
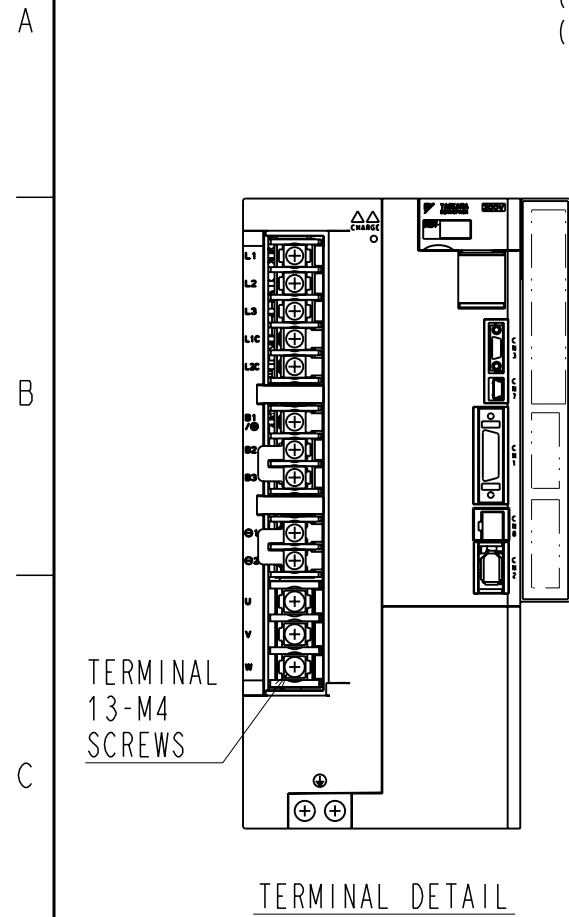


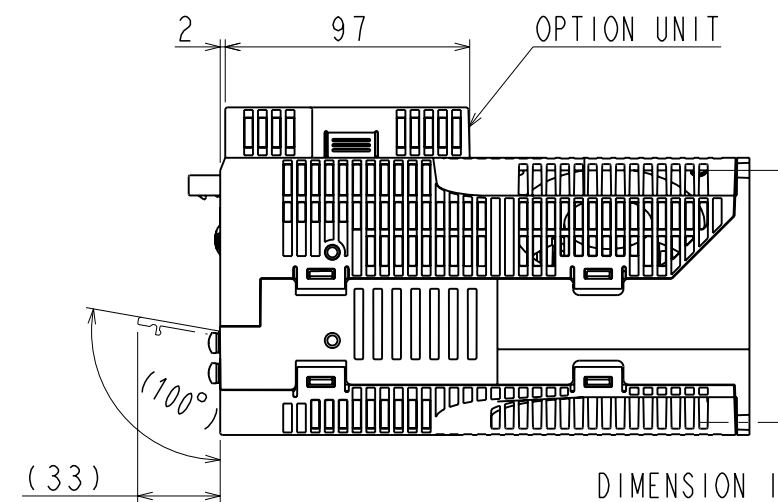
DWG. NO. 900-048-854-2/2

(NOTE1) This drawing is the base-mounted type.
 (NOTE2) Refer to the USER'S MANUAL for a standard for installation.
 (NOTE3) Refer to the another drawing for the outline of the option unit.



PART No.	MODEL	NUMBER OF CONTACTS	MANUFACTURER
CN1	10226-52A2PL	26	SUMITOMO 3M LIMITED
CN2	53984-0671	6	MOLEX JAPAN CO.,LTD.
CN3	HDR-EC14LFDTN-SLE-PLUS	14	HONDA TSUSHIN KOGYO CO.,LTD.
CN7	MNC23-5K5H00	5	ADVANCED-CONNECTEK INC.
CN8	1981080-1	8	Tyco Electronics AMP K.K.

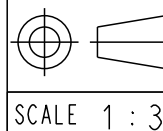
The above or the equivalent is used.



DIMENSION IN mm
 APPROX. MASS: 4.7kg
 Remove mass of the option unit.

REFERENCE ONLY

YASKAWA
 株式会社 安川電機



TITLE OUTLINE DRAWING OF SERVOPACK
 SGD V330A□□A*
 (□□: E1, E5) (*: OPTION CODE)

DWG. NO.

900-048-854

REV.

2/2

SIZE A3