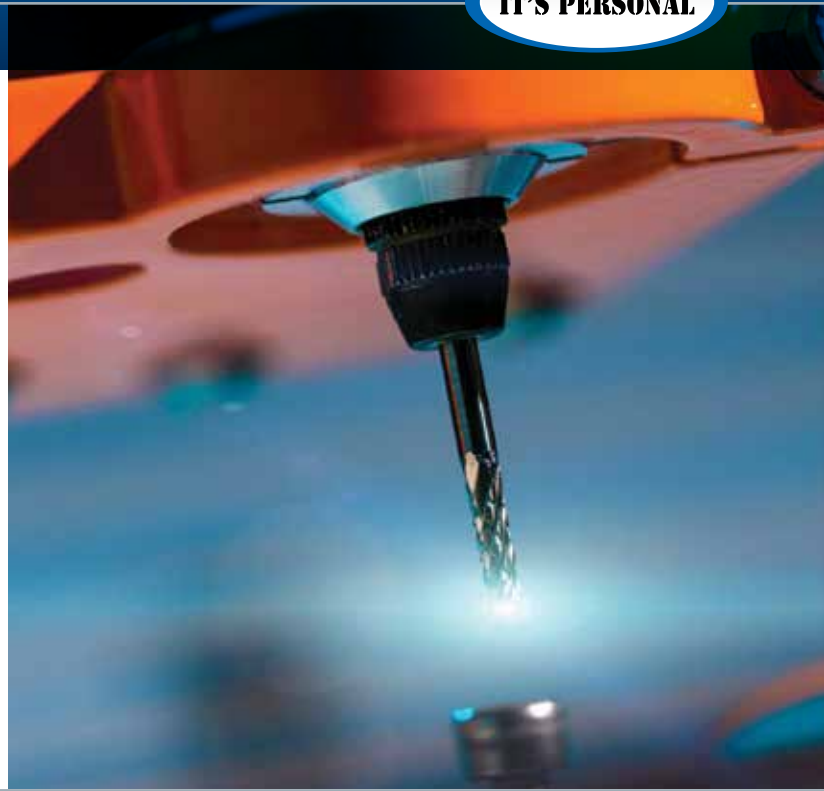


YASKAWA

SIGMA-SD

POWER AND PRECISION
FOR MORE PRODUCTIVITY

IT'S PERSONAL



SIGMA-SD

A Significant Difference When it Matters Most

Look beneath the sheet metal of the machine tool industry's most advanced equipment and you'll find Yaskawa Sigma SD spindle drives. SD is there because it offers an extra edge of performance that today's manufacturing leaders can't do without.

- Reliable motion performance at exceptionally high speeds, yielding more parts per minute
- Added precision for critical, high-volume operations like tapping, which calls for exactly regulated movement at extra high torque levels
- Superior quality for a smoothly finished, completely consistent machined part, plus the reliability to produce the same exceptionally fine finish across millions of parts for years to come

ENERGY SAVING



POWER REGENERATION CONVERTER

Power Supply regeneration helps save energy and reduce cabinet size and heat

SERVOPACK FOR AC SPINDLE MOTOR DRIVE

Servo drive control technology has been applied to spindle drives to increase amplifier response characteristics. High precision speed control is achieved.



Ask your Yaskawa representative for information about the KC mark

PERFORMANCE FEATURES

HIGH SPEED MOTOR & MATCHING HIGH FREQUENCY DRIVE

A matched set motor-drive system that shortens cutting times, boosts throughput and maximizes productivity

HIGH BANDWIDTH DRIVE

Advanced control technology increases amplifier response for higher precision speed control

ANALOG OR ETHERCAT

Easy integration with the control networks common on existing machining systems

OPTIMIZED SPINDLE MOTOR

Improved winding design and cooling structure produce high efficiency, reduced weight and 200% maximum output power

FULLY REGENERATIVE POWER CONVERTER

Conserves power to cut energy bills, reduce cabinet size and heat

GAIN SWITCHING

Creates easier transitions between gain levels, improving spindle orient function and enhancing rigid tapping performance

LOW INERTIA DESIGN

Maintains precise speed control despite rapid changes in cutting torque

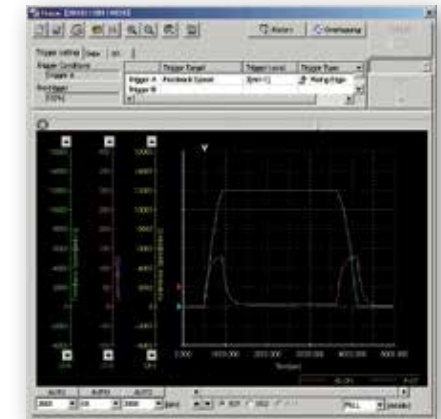
SIGMAWIN+ INTERFACE

Yaskawa's proven engineering tool easily creates motor parameter settings and traces data, checks I/O signals and edits parameters.

MAXIMUM OUTPUT POWER

200%

OF CONTINUOUS RATING

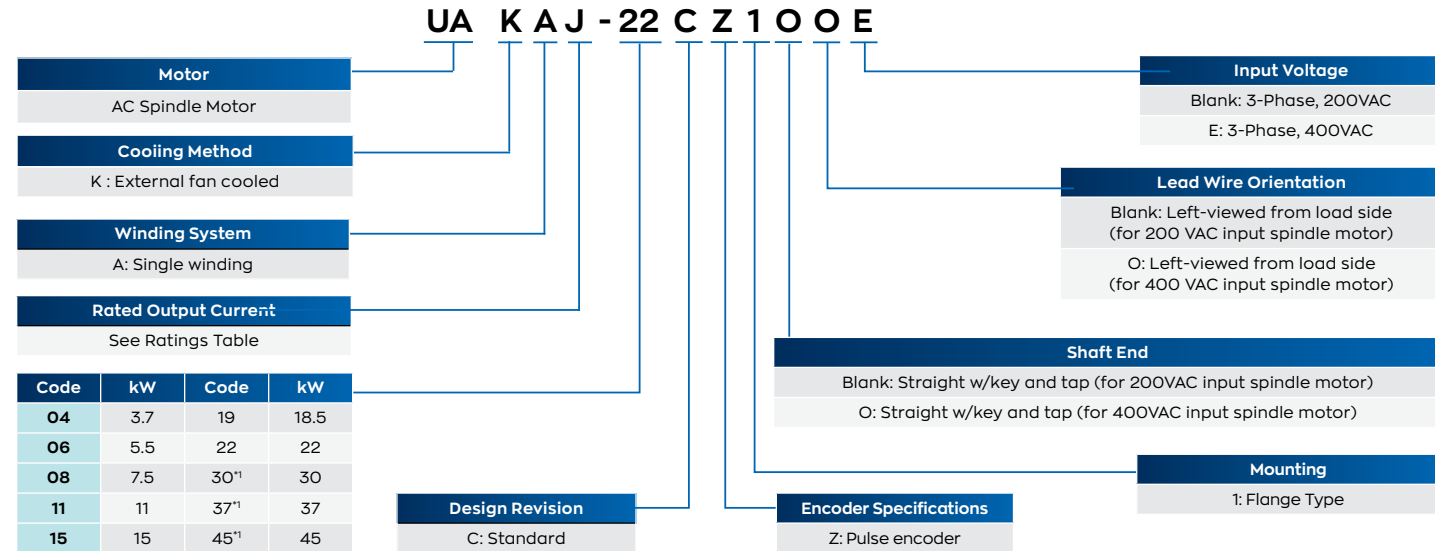


POWERFUL

MODEL DESIGNATIONS

AVAILABLE COMBINATIONS

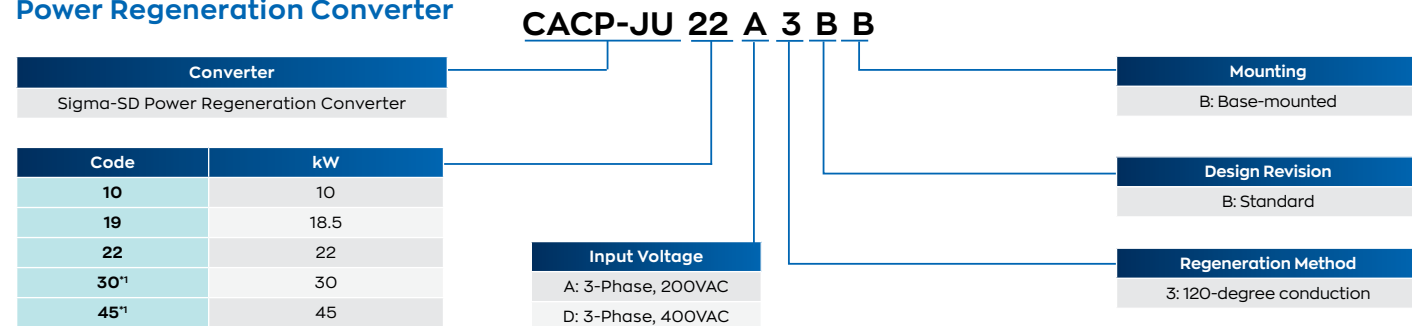
SPINDLE MOTOR



*1: Available only for three-phase 200 VAC models

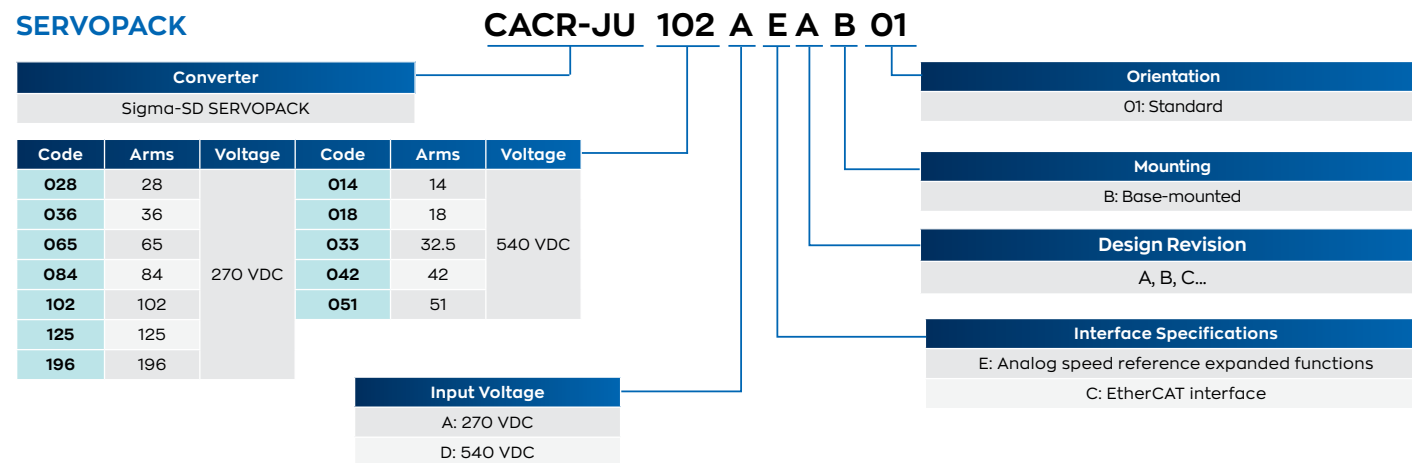
SIGMA-SD DRIVER

Power Regeneration Converter



*1: Available only for three-phase 200 VAC models

SERVOPACK



Product Lineup

200 VAC INPUT

	200 VAC Input Spindle Motor	Power Regeneration Converter Model	SERVOPACK Model	AC Reactor	Stock Status
Single Winding	UAKAJ-04C	CACP-JU15A3	CACR-JU028A	X008017	Non-Stock
	UAKAJ-06C		CACR-JU036A		Non-Stock
	UAKAJ-08C		CACR-JU066A		Limited Stock
	UAKAJ-11C				Limited Stock
	UAKAJ-15C				Limited Stock
	UAKAJ-19C	CACP-JU19A3	CACR-JU084A	X008018	Limited Stock
	UAKAJ-22C	CACP-JU22A3	CACR-JU102A	X008019	Limited Stock
	UAKAJ-30C	CACP-JU30A3	CACR-JU126A	X008020	Limited Stock
	UAKAJ-37C	CACP-JU45A3	CACR-JU196A	X008022	Non-Stock
	UAKAJ-45C				Non-Stock

400 VAC INPUT

	400 VAC Input Spindle Motor	Power Regeneration Converter Model	SERVOPACK Model	AC Reactor	Stock Status
Single Winding	UAKAJ-04C	CACP-JU15D3	CACR-JU014AD	X008010	Non-Stock
	UAKAJ-06C		CACR-JU018D		Non-Stock
	UAKAJ-08C		CACR-JU033D		Limited Stock
	UAKAJ-11C		Limited Stock		
	UAKAJ-15C		Limited Stock		
	UAKAJ-19C	CACP-JU19D3	CACR-JU042D	X008011	Limited Stock
UAKAJ-22C	CACP-JU22D3	CACR-JU051D	X008012	Limited Stock	

For details about custom-made spindle motors, converters, or SERVOPACKS, contact your Yaskawa representative.

OUTPUT AND TORQUE CHARACTERISTICS

Drive-Motor Combination Data

Model Number	Output Characteristics	Torque Characteristics
UAKAJ-04C□□□□		
UAKAJ-06C□□□□		
UAKAJ-08C□□□□		
UAKAJ-11C□□□□		
UAKAJ-15C□□□□		

Model Number	Output Characteristics	Torque Characteristics
UAKAJ-19C□□□□		
UAKAJ-22C□□□□		
UAKAJ-30C□□□□		
UAKAJ-37C□□□□		
UAKAJ-45C□□□□		

YASKAWA.COM



Yaskawa is the leading global manufacturer of low and medium voltage variable frequency drives, servo systems, machine controllers and industrial robots. Our standard products, as well as tailor-made solutions, are well known and have a high reputation for outstanding quality and reliability.

YASKAWA

Yaskawa America, Inc. | Drives & Motion Division

1-800-YASKAWA | Email: info@yaskawa.com | yaskawa.com

Document No. BL.Sigma-SD.01 | 06/03/2021 | © 2021 Yaskawa America, Inc.