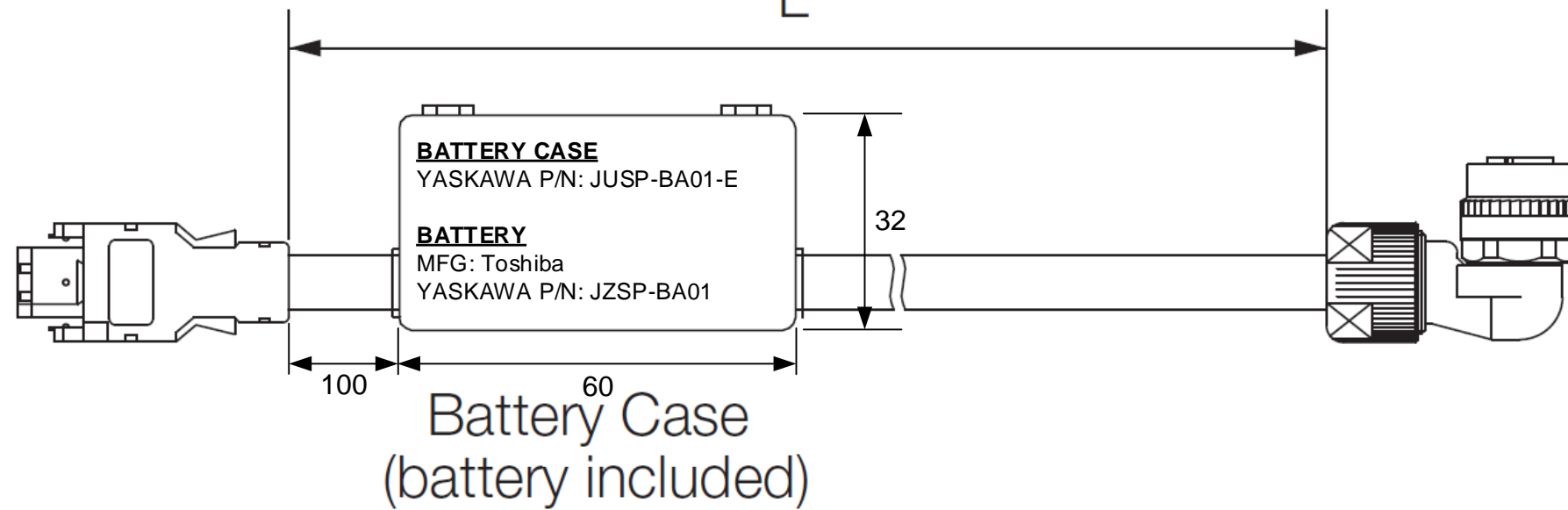


EXTERNAL DIMENSIONS:

SERVOPACK end

Encoder end



The recommended bend radius is 15mm or larger.

SERVOPACK END CONNECTOR

Type	Standard Connector Kit
Inquires	Yaskawa representative
Manufacturer	Molex Incorporated
Order Number	JZSP-CMP9-1-E
Specifications	55100-0670 (soldered) Product specifications: PS-54280
External Dimensions [mm]	

RAW CABLE

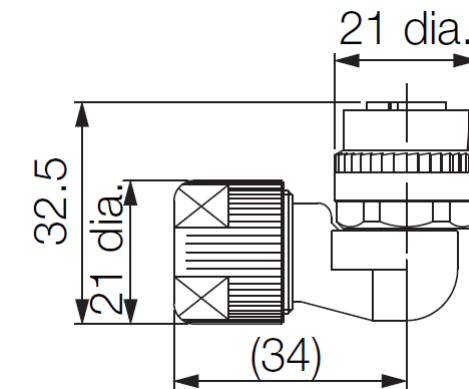
Item	Standard Cable
Order Number*	JZSP-CMP09-□□-E (maximum length: 20 m)
Specifications	UL20276 (rated temperature: 80°C) AWG22 × 2C + AWG24 × 2P
	AWG22 (0.33 mm ²) Outer diameter of insulating sheath: 1.15 mm
	AWG24 (0.20 mm ²) Outer diameter of insulating sheath: 1.09 mm
Finished Diameter	6.5 mm
Internal Structure and Lead Colors	

* Replace the boxes (□□) in the order number with the cable length (05, 10, 15, or 20).

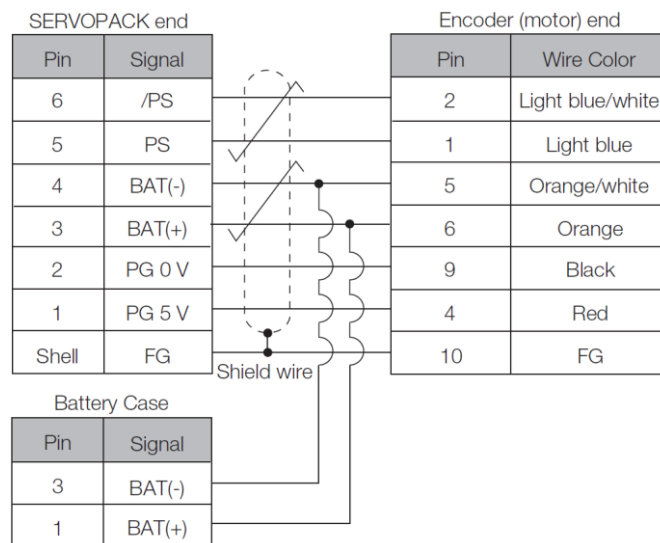
MOTOR END CONNECTOR

Order Number	Specification	External Dimensions	Manufacturer
JZSP-CVP9-2-E	<ul style="list-style-type: none"> Plug: CM10-AP10S-M-D Contacts: Crimped CM10-#22SC(C4)-100 Applicable cable diameter: 6.0 mm to 9.0 mm 		DDK Ltd.

MOTOR END CONNECTOR DIMENSIONS



WIRING SPECIFICATIONS



IMPORTANT NOTES

This cable cannot be used with the SGM7A-70 (7.0 kW).
Use an Encoder Cable with a Straight Connector, such as JZSP-CVP06-xx-E.

ITEM NUMBER	L = Length
JZSP-CVP07-03-E	3000
JZSP-CVP07-05-E	5000
JZSP-CVP07-10-E	10000
JZSP-CVP07-15-E	15000
JZSP-CVP07-20-E	20000

THIS DOCUMENT AND THE INFORMATION CONTAINED IN IT ARE PUBLIC AND CAN BE DISCLOSED WITHOUT EXPRESS WRITTEN CONSENT OF YASKAWA AMERICA INC. SPECIFICATIONS ARE SUBJECT TO CHANGE WITHOUT NOTICE FOR ONGOING PRODUCT MODIFICATIONS AND IMPROVEMENTS.

YASKAWA

TITLE: SGM7A-15 to -50 (1.5 kW to 5.0 kW) & SGM7G Series Servomotor Encoder Cable, With Battery Case For Absolute Encoder, Away From Load, Non-Flex, Shielded.

ITEM #:
JZSP-CVP07-xx-E (xx = See Chart)

SIZE: -	REVISION: 2	PAGE: 1 of 1
------------	----------------	-----------------

DRAWING #:
CAD-JZSP-CVP07-xx-E

SCALE: NTS

UNITS: mm

REV	DESCRIPTION	DATE	DRAWN BY
2	Applied standard drawing template, Updated with actual connector, Corrected drawing name	Jan. 8, 2021	D. LEE
1	Added Battery P/N, Updated info block, Added bend radius	May 21, 2018	D. LEE
0	Initial Release	May 22, 2017	D. LEE