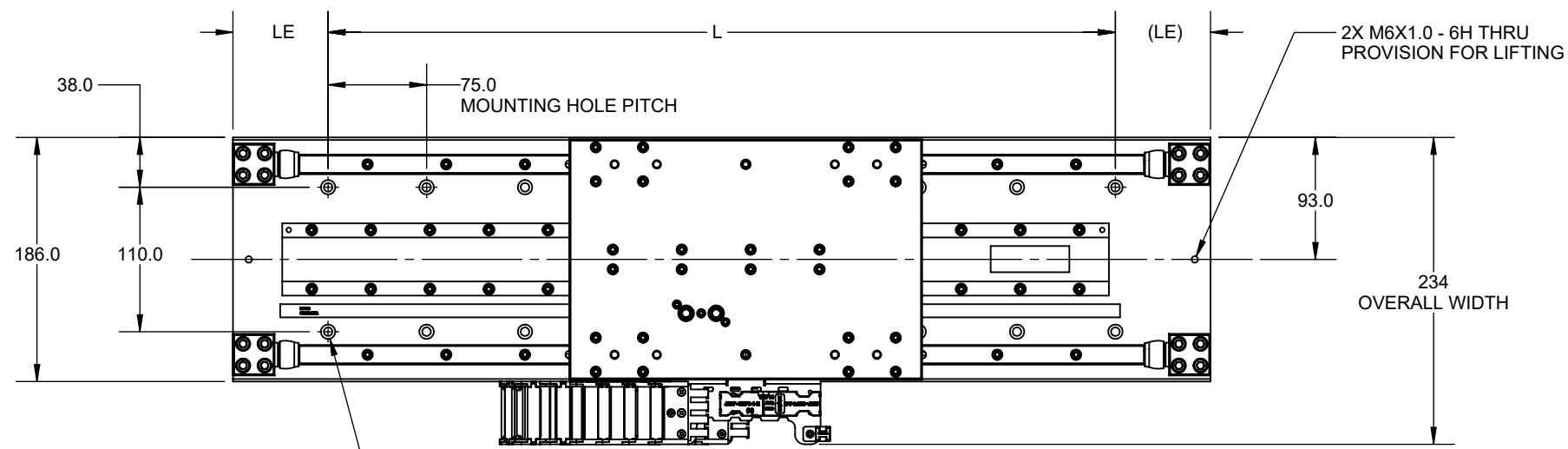


6 5 4 3 2 1

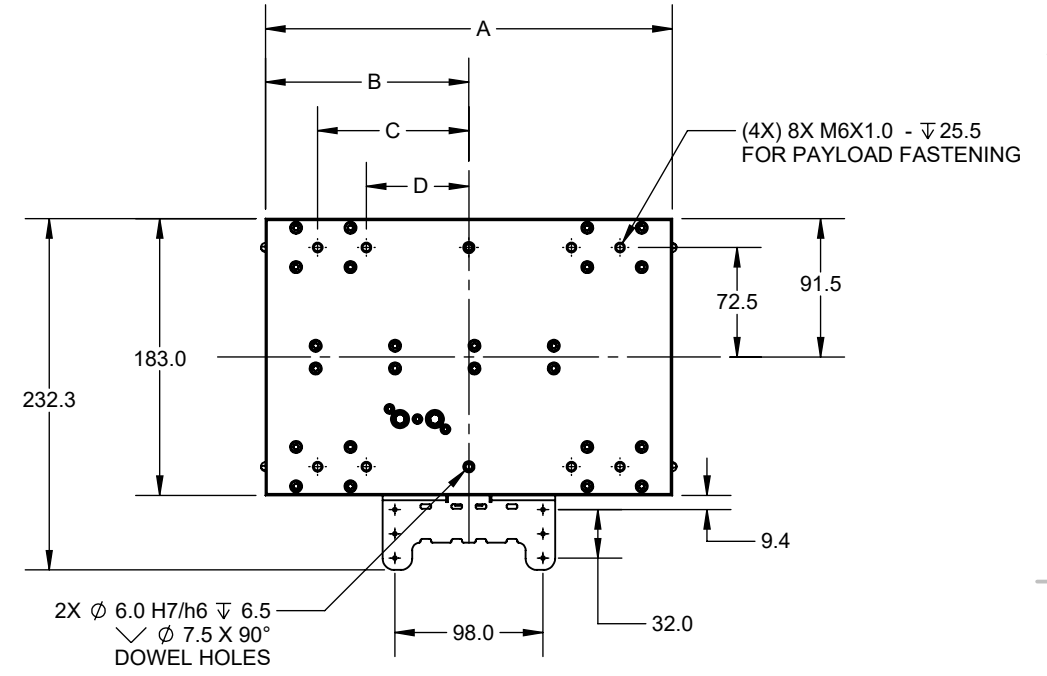
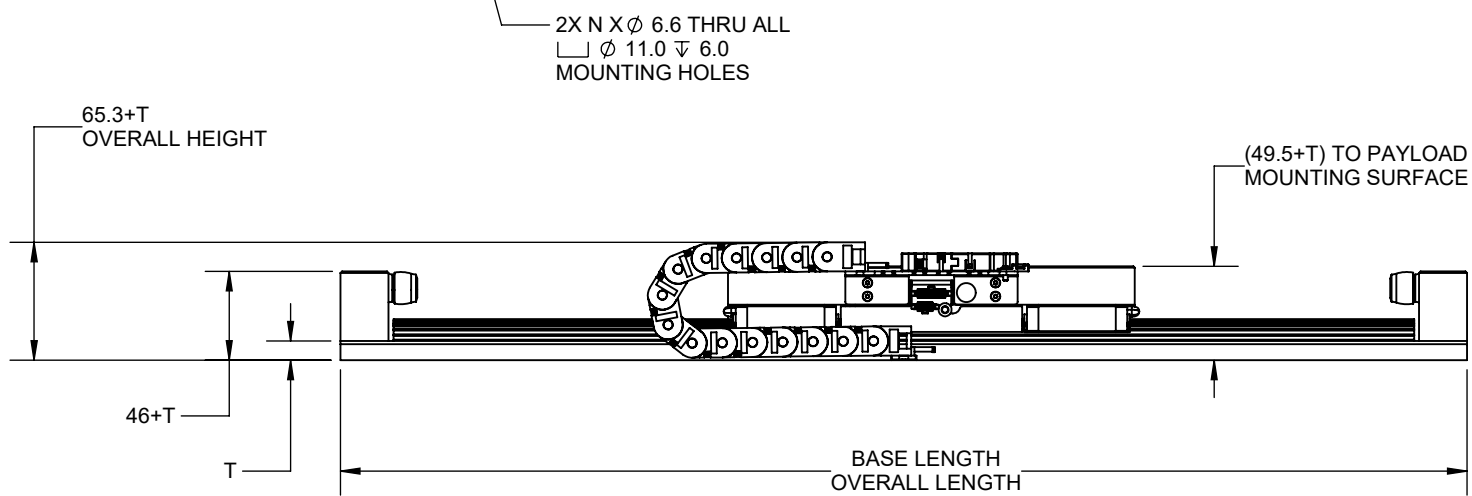
D

D



C

C



B

B

BASE LENGTH (MM)	L (MM)	LE (MM)	N (HOLES)	T (MM)	
				STANDARD	THICK
390.0	300.0	45.0	5	12.7	38.1
565.0	450.0	57.5	7	12.7	38.1
655.0	525.0	65.0	8	12.7	38.1
745.0	600.0	72.5	9	12.7	38.1
835.0	750.0	42.5	11	12.7	38.1
925.0	825.0	50.0	12	12.7	38.1
1015.0	900.0	57.5	13	12.7	38.1
1105.0	975.0	65.0	14	12.7	38.1
1195.0	1050.0	72.5	15	12.7	38.1
1285.0	1200.0	42.5	17	12.7	38.1
1375.0	1275.0	50.0	18	12.7	38.1
1465.0	1350.0	57.5	19	12.7	38.1
1555.0	1425.0	65.0	20	12.7	38.1

CARRIAGE MODEL	A (MM)	B (MM)	C (MM)	D (MM)
ST2F-A1	114.0	57.0	42.00	-
ST2F-A2	176.0	88.0	67.85	-
ST2F-A3	269.0	134.5	100.00	67.85

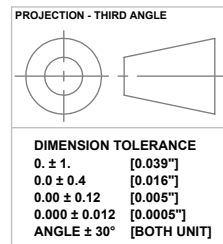
*THE CENTER PAIR OF MOUNTING HOLES ON THE BASE ARE INACCESSIBLE ON THE FOLLOWING MODELS. REMOVAL OF THE CARRIAGE TO GAIN ACCESS TO THESE HOLES MAY CAUSE SERIOUS INJURY AND DAMAGE TO THE UNIT.

- *ST2F-A2-0390- _____
- *ST2F-A3-0565- _____

A

A

ZONE	REV.	DESCRIPTION	DATE	APPROVED
	1	ADDED COLUMN FOR THICK BASE OPTION	8/17/2022	B.CHEN
REVISIONS				



DESIGNED B.C	CHECKED P.Z	APPROVED D.C
DATE 8/4/2022	DATE 8/29/2022	DATE 8/31/2022
PART NO / SAP NO:		
LAST SAVED: 11/29/2022 3:56:47 PM		



WEIGHT	TITLE / DESCRIPTION SIGMA TRAC II - A SERIES		
DEPARTMENT ST-II	DRAWING NO. CAD.ST2F-A		
DWG. SIZE B	SHEET 1 OF 1	SCALE 1:5	REVISION 1

6 5 4 3 2 1