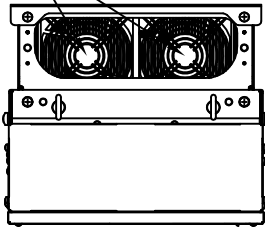
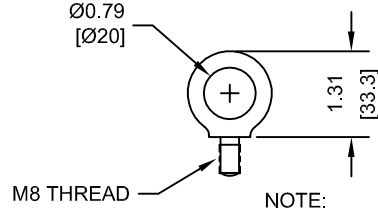


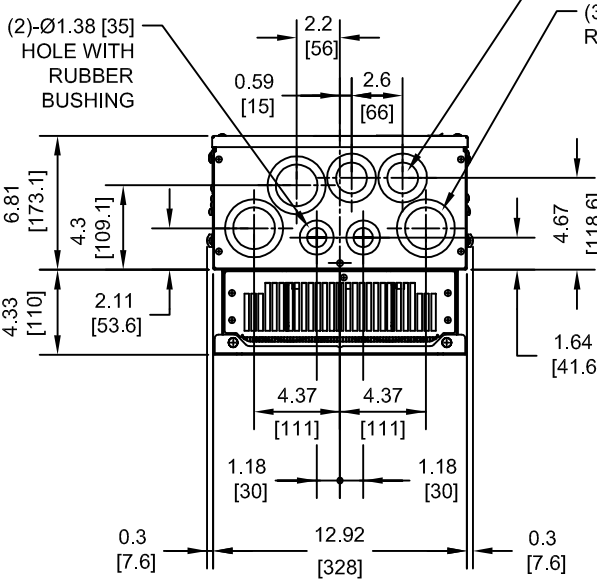
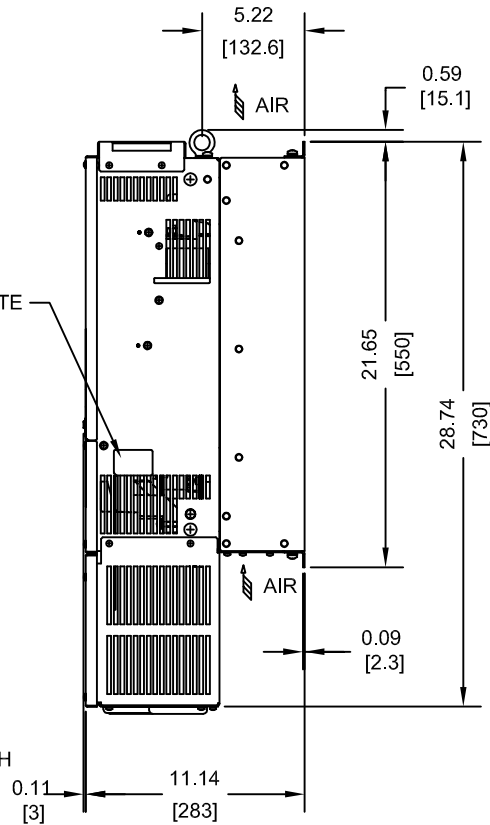
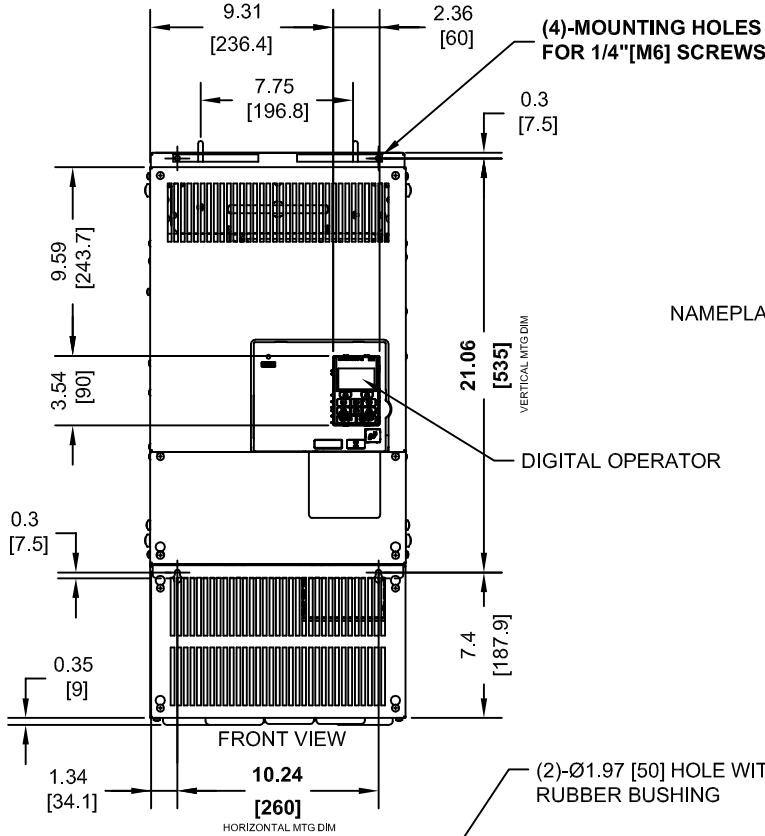
(2) EXTERNAL COOLING FANS



LIFTING AND EYEBOLT DETAILS



NOTE:
SPREADER BAR REQUIRED TO AVOID DAMAGE DURING LIFTING



MODEL # CIMR-AU	VOLTAGE THREE-PHASE (VAC)	OUTPUT CURRENT (A)		WEIGHT LBS (Kg)	HEAT LOSS (W)					
		ND	HD		ND (Fc=2kHz)			HD (Fc=SEE NOTES)		
		INT	EXT	TOT	INT	EXT	TOT	INT	EXT	TOT
2A0169FXX	200/240	169	145	90.2 (41)	380	1014	1394	306	816	1122
2A0211FXX		211	180	92.4 (42)	473	1218	1691	378	976	1354
4A0139FXX	380/480	139	112	99.0 (45)	534	1215	1749	416	908	1324
4A0165FXX		165	150	101 (46)	668	1557	2225	580	1340	1920
5A0062FXX	500/600	62	52	99.0 (45)	279	791	1070	335	1272	1607
5A0077FXX		77	62	99.0 (45)	329	959	1288	379	1457	1836
5A0099FXX		99	77	99.0 (45)	412	1253	1665	352	1267	1619

NOTES:
XX DENOTES AA-ZZ

INT=INTERNAL COMPONENTS
EXT=EXTERNAL HEATSINK
TOT=TOTAL

FOR HD VALUES, CARRIER FREQ. IS SET TO:
Fc=8kHz FOR MODELS 2A0169, 4A0139, 5A0062 AND 5A0077
Fc=5kHz FOR MODELS 2A0211, 4A0165, AND 5A0099

FOR ADDITIONAL DETAILS AND SPECIFICATIONS, CONSULT MANUAL

TOLERANCES / REFERENCES:



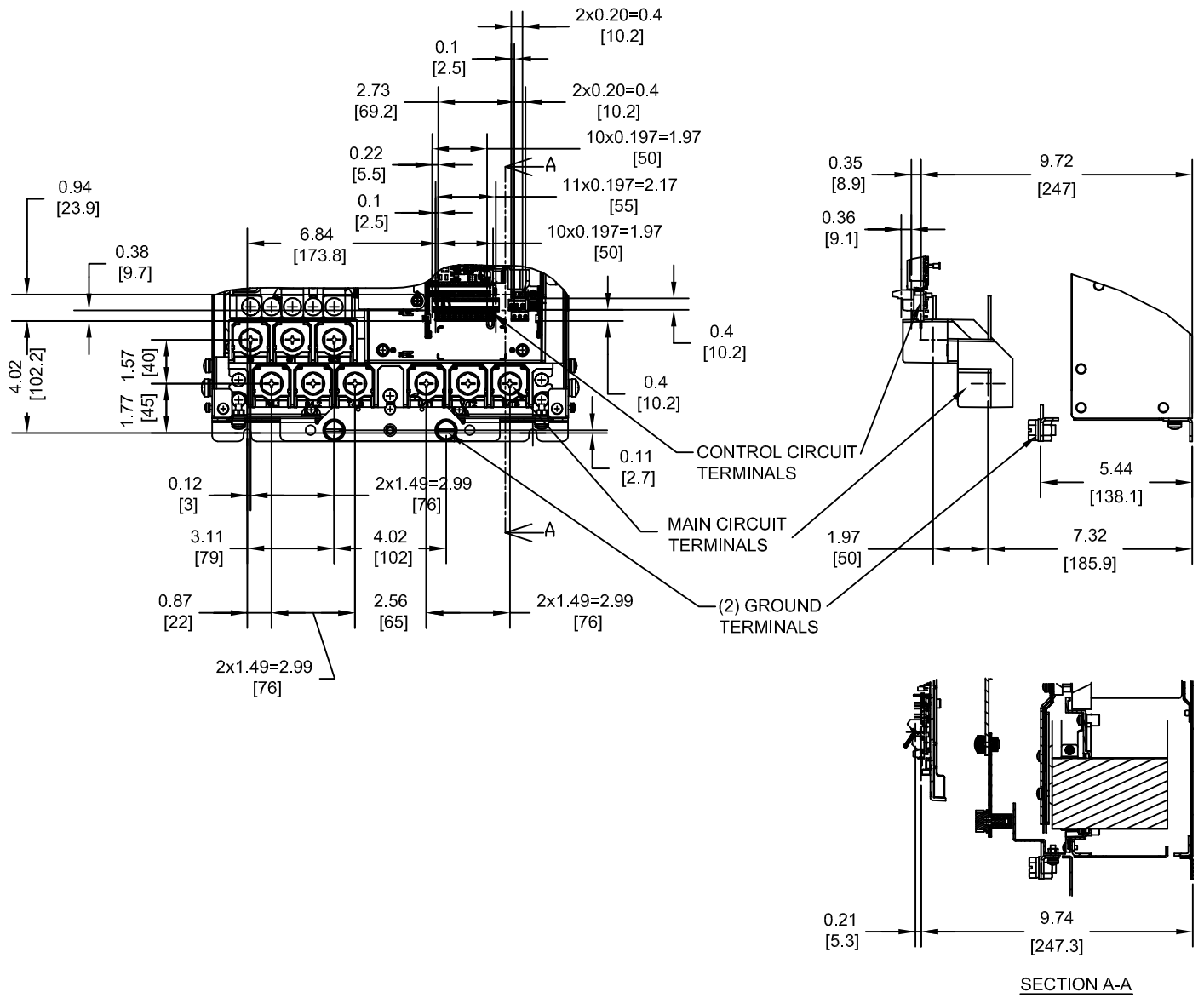
THIS DOCUMENT AND INFORMATION CONTAINED IN IT ARE CONFIDENTIAL, AND CANNOT BE COPIED OR DISCLOSED IN WHOLE OR IN PART WITHOUT THE EXPRESS WRITTEN CONSENT OF YASKAWA AMERICA, INC.

DRAWN: J. MATTAS	DATE 8-24-10
CHECKED: J. PIOTROWSKI	DATE 12-10-10
TECH: J. CAIRO	DATE 12-14-10
APPROVED: T. SASADA	DATE 12-17-10
ORIGINAL DESIGN:	DATE

TITLE: A1000 DIMENSION DRAWING FRAME SIZE 10 NEMA TYPE 1 ENCLOSURE 2A0169-0211, 4A0139-0165, 5A0062-0099		
SIZE A	REVISION R00	PAGE 1 of 3
DRAWING #: DD.A1K.FR10.N1		

UNITS: IN [mm] SCALE: 1:10

TERMINAL AND WIRING DETAILS (SCALE 1:6)



TERMINAL AND WIRE SPECIFICATIONS FOR
MAIN CIRCUIT AND GROUND

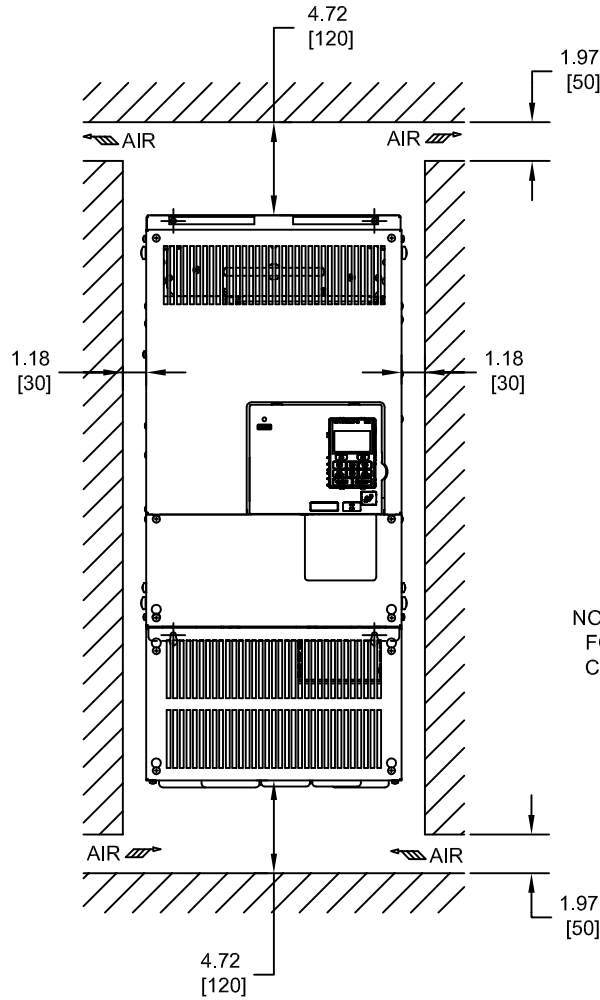
MODEL # CIMR-AU	TERMINAL SYMBOL	TERMINAL SCREW	CLAMPING TORQUE lb.in.(N.m.)	WIRE RANGE AWG(mm ²)
2A0169	R/L1, S/L2, T/L3	M10	159.3 TO 203.6 (18 TO 23)	10-4/0 (5.3-107.2)
2A0211	U/T1, V/T2, W/T3			
4A0139	⊖, ⊕1, ⊕3			
4A0165	⊕	M10	159.3 TO 203.6 (18 TO 23)	SEE NOTE
5A0062	⊖			
5A0077				
5A0099				

NOTE: REFER TO APPLICABLE CODES FOR PROPER WIRE TYPE AND SIZE

FOR ADDITIONAL DETAILS AND SPECIFICATIONS, CONSULT MANUAL

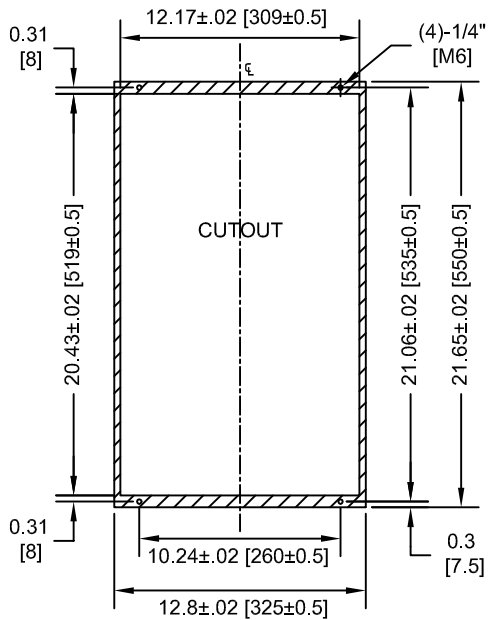
TOLERANCES / REFERENCES:			DRAWN: J. MATTAS	DATE: 8-24-10	TITLE: A1000 DIMENSION DRAWING FRAME SIZE 10 NEMA TYPE 1 ENCLOSURE 2A0169-0211, 4A0139-0165, 5A0062-0099
UNITS: IN [mm]	SCALE: BY VIEW		CHECKED: J. PIOTROWSKI	DATE: 12-10-10	
THIS DOCUMENT AND INFORMATION CONTAINED IN IT ARE CONFIDENTIAL, AND CANNOT BE COPIED OR DISCLOSED IN WHOLE OR IN PART WITHOUT THE EXPRESS WRITTEN CONSENT OF YASKAWA AMERICA, INC.		TECH: J. CAIRO	DATE: 12-14-10	SIZE: A	REVISION: R00
		APPROVED: T. SASADA	DATE: 12-17-10	PAGE: 2 of 3	DRAWING #: DD.A1K.FR10.N1

MINIMUM INSTALLATION CLEARANCES (SCALE 1:10)



NOTE:
FOR SIDE-BY-SIDE MOUNTING
CONSULT MANUAL

PANEL CUTOUT FOR EXTERNAL HEATSINK
MOUNTING CONFIGURATION (SCALE 1:10)



NOTE:
EXPOSED HEATSINK DEPTH
D=4.33" MINUS PANEL THICKNESS

FOR ADDITIONAL DETAILS AND SPECIFICATIONS, CONSULT MANUAL

TOLERANCES / REFERENCES:			DRAWN: J. MATTAS	DATE: 8-24-10	TITLE: A1000 DIMENSION DRAWING	
UNITS: IN [mm]	SCALE: BY VIEW		CHECKED: J. PIOTROWSKI	DATE: 12-10-10	FRAME SIZE 10 NEMA TYPE 1 ENCLOSURE	
THIS DOCUMENT AND INFORMATION CONTAINED IN IT ARE CONFIDENTIAL, AND CANNOT BE COPIED OR DISCLOSED IN WHOLE OR IN PART WITHOUT THE EXPRESS WRITTEN CONSENT OF YASKAWA AMERICA, INC.		TECH: J. CAIRO	DATE: 12-14-10	SIZE: A	REVISION: R00	PAGE: 3 of 3
		APPROVED: T. SASADA	DATE: 12-17-10	DRAWING #: DD.A1K.FR10.N1		
		ORIGINAL DESIGN: -	DATE: -			