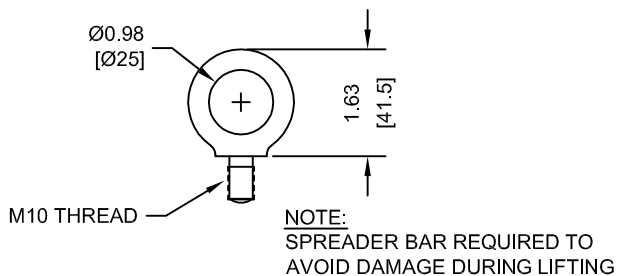
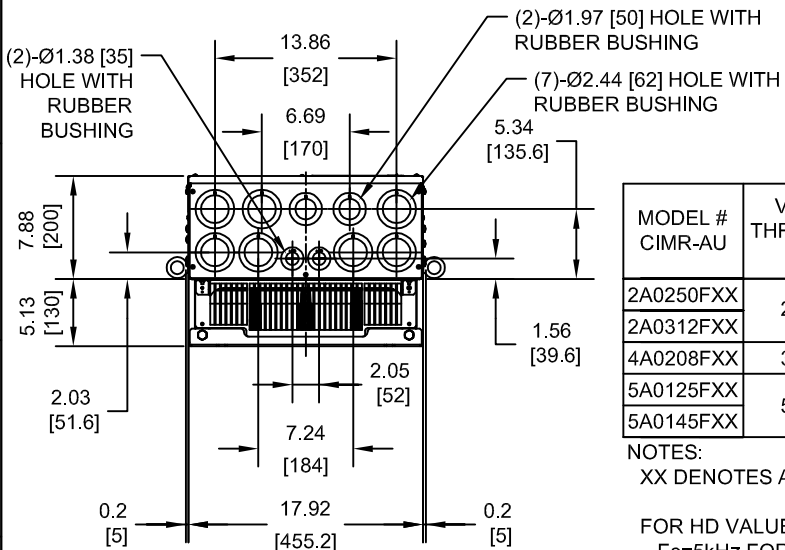
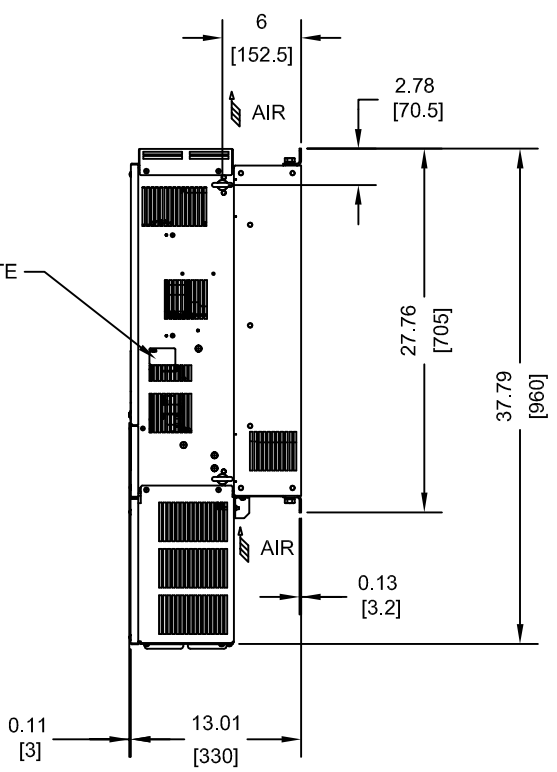
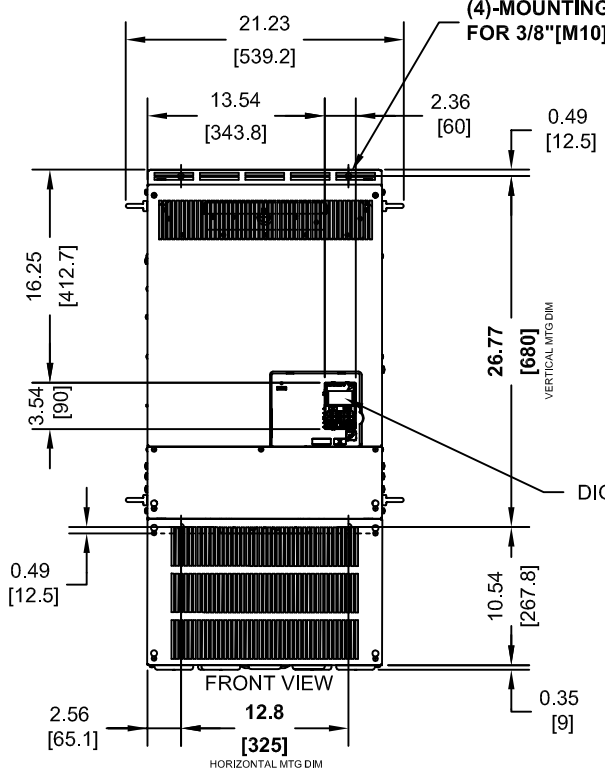


LIFTING AND EYEBOLT DETAILS



(4)-MOUNTING HOLES FOR 3/8" [M10] SCREWS



MODEL # CIMR-AU	VOLTAGE THREE-PHASE (VAC)	OUTPUT CURRENT (A)		WEIGHT LBS (Kg)	HEAT LOSS (W)					
					ND (Fc=2kHz)			HD (Fc=SEE NOTE)		
		ND	HD		INT	EXT	TOT	INT	EXT	TOT
2A0250FXX	200/240	250	215	183 (83)	594	1764	2358	466	1514	1980
2A0312FXX		312	283	194 (88)	665	2020	2685	588	1936	2524
4A0208FXX	380/480	208	180	191 (87)	607	1800	2407	541	1771	2312
5A0125FXX	500/600	125	99	191 (87)	537	1641	2178	422	1328	1750
5A0145FXX		145	130	191 (87)	603	1860	2463	508	1638	2146

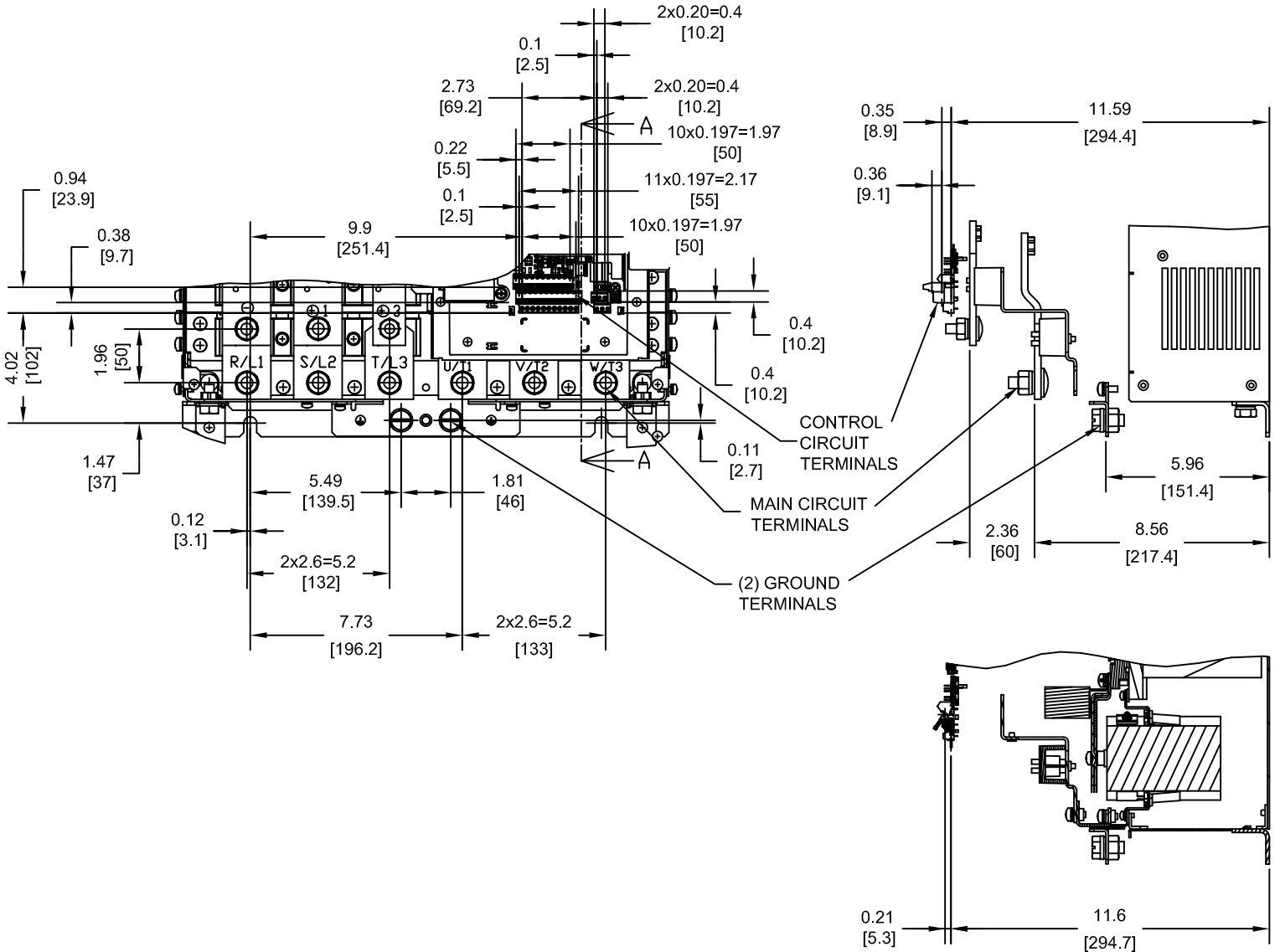
NOTES:
XX DENOTES AA-ZZ
INT=INTERNAL COMPONENTS
EXT=EXTERNAL HEATSINK
TOT=TOTAL

FOR HD VALUES, CARRIER FREQ. IS SET TO:
Fc=5kHz FOR MODELS 2A0250, 2A0312 AND 4A0208
Fc=2kHz FOR MODELS 5A0125 AND 5A0145

FOR ADDITIONAL DETAILS AND SPECIFICATIONS, CONSULT MANUAL

TOLERANCES / REFERENCES:		<p>THIS DOCUMENT AND INFORMATION CONTAINED IN IT ARE CONFIDENTIAL, AND CANNOT BE COPIED OR DISCLOSED IN WHOLE OR IN PART WITHOUT THE EXPRESS WRITTEN CONSENT OF YASKAWA AMERICA, INC.</p>	DRAWN: J. MATTAS DATE: 11-4-10	TITLE: A1000 DIMENSION DRAWING FRAME SIZE 11 NEMA TYPE 1 ENCLOSURE 2A0250, 2A0312, 4A0208, 5A0125 & 5A0145
UNITS: IN [mm]	SCALE: 1:15		CHECKED: J. PIOTROWSKI DATE: 12-10-10	DATE: 12-10-10
			TECH: J. CAIRO DATE: 12-14-10	DATE: 12-14-10
			APPROVED: T. SASADA DATE: 12-17-10	DATE: 12-17-10
		ORIGINAL DESIGN:	DATE:	SIZE: A REVISION: R00 PAGE: 1 of 4 DRAWING #: DD.A1K.FR11.N1

TERMINAL AND WIRING DETAILS (SCALE 1:6)
 AU2A0250 AND AU2A0312 ONLY



SECTION A-A

TERMINAL AND WIRE SPECIFICATIONS FOR
 MAIN CIRCUIT AND GROUND

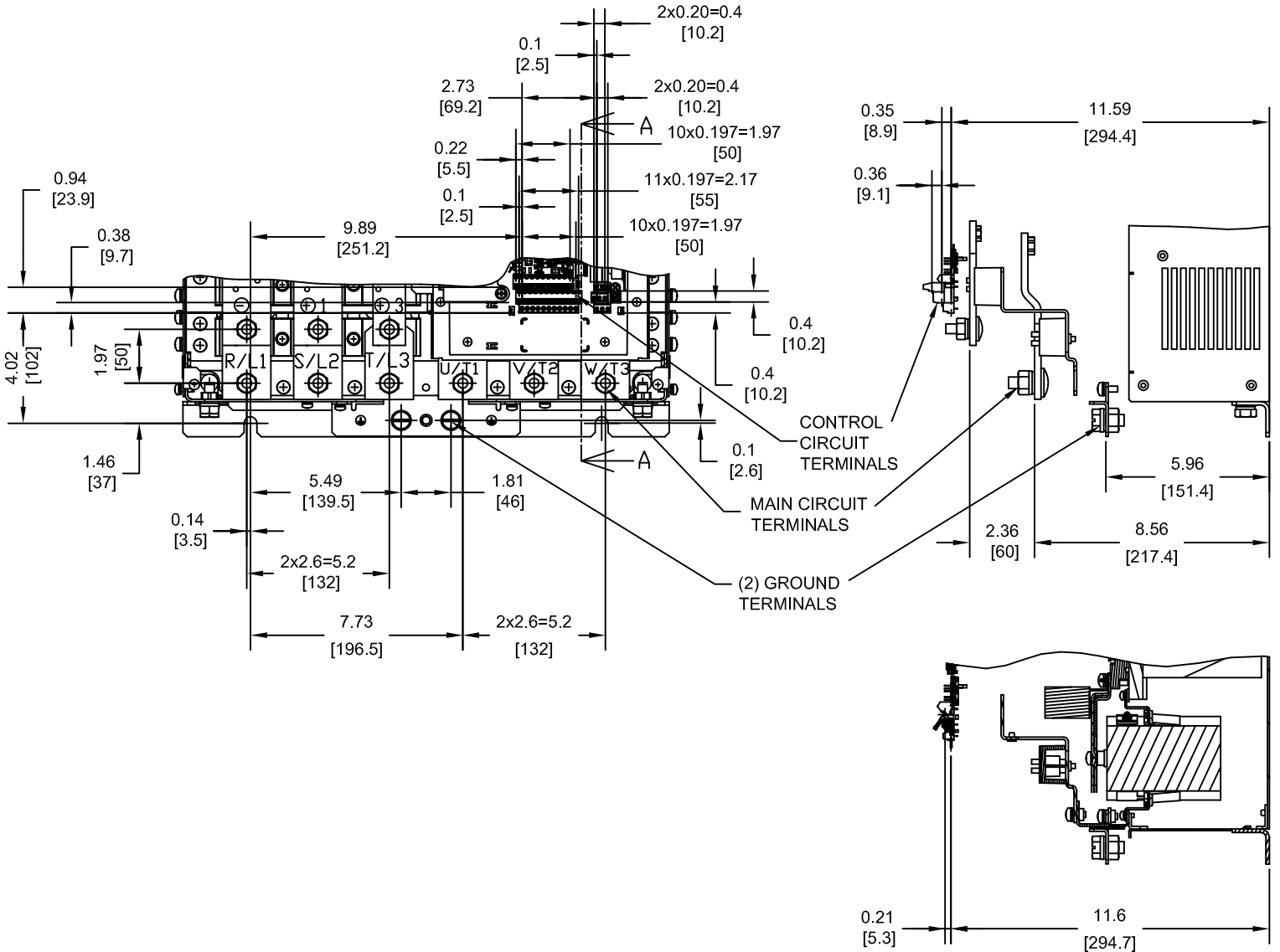
MODEL # CIMR-AU	TERMINAL SYMBOL	TERMINAL SCREW	CLAMPING TORQUE lb.in.(N.m.)
2A0250 2A0312	R/L1, S/L2, T/L3	M12	283.2 TO 354.0 (32 TO 40)
	U/T1, V/T2, W/T3		
	⊖, ⊕1	M10	
	⊕3		
	⊕		
		M12	283.2 TO 354.0 (32 TO 40)

NOTE: REFER TO APPLICABLE CODES FOR PROPER WIRE TYPE AND SIZE

FOR ADDITIONAL DETAILS AND SPECIFICATIONS, CONSULT MANUAL

TOLERANCES / REFERENCES:			DRAWN: J. MATTAS DATE: 11-4-10	TITLE: A1000 DIMENSION DRAWING FRAME SIZE 11 NEMA TYPE 1 ENCLOSURE 2A0250, 2A0312, 4A0208, 5A0125 & 5A0145
UNITS: IN [mm]	SCALE: BY VIEW		CHECKED: J. PIOTROWSKI DATE: 12-10-10	TECH: J. CAIRO DATE: 12-14-10
THIS DOCUMENT AND INFORMATION CONTAINED IN IT ARE CONFIDENTIAL, AND CANNOT BE COPIED OR DISCLOSED IN WHOLE OR IN PART WITHOUT THE EXPRESS WRITTEN CONSENT OF YASKAWA AMERICA, INC.		APPROVED: T. SASADA DATE: 12-17-10	ORIGINAL DESIGN: - DATE: -	SIZE: A REVISION: R00 PAGE: 2 of 4
			DRAWING #: DD.A1K.FR11.N1	

TERMINAL AND WIRING DETAILS (SCALE 1:6)
 AU4A0208, AU5A0125 AND AU5A0145 ONLY




SECTION A-A

TERMINAL AND WIRE SPECIFICATIONS FOR
 MAIN CIRCUIT AND GROUND

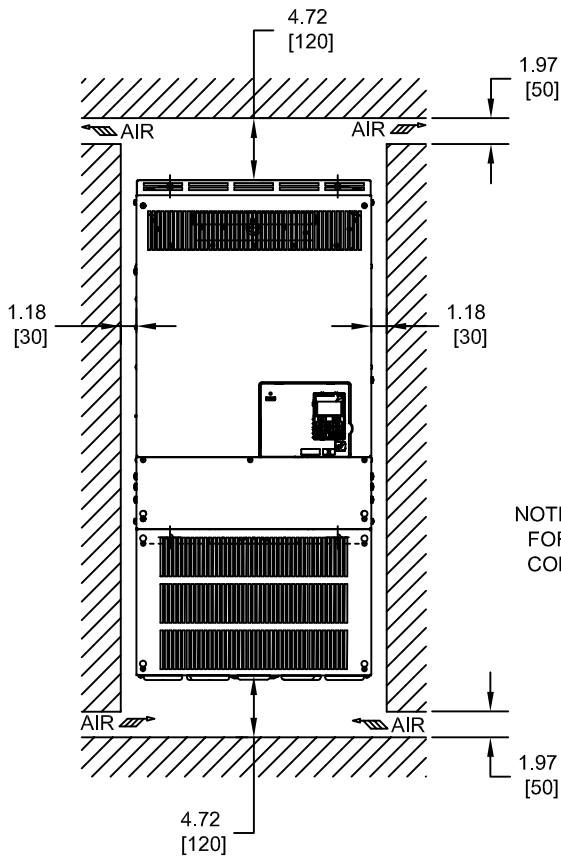
MODEL # CIMR-AU	TERMINAL SYMBOL	TERMINAL SCREW	CLAMPING TORQUE lb.in.(N.m.)
4A0208 5A0125 5A0145	R/L1, S/L2, T/L3	M10	159.3 TO 203.6 (18 TO 23)
	U/T1, V/T2, W/T3		
	⊖, ⊕1	M10	159.3 TO 203.6 (18 TO 23)
	⊕3	M10	159.3 TO 203.6 (18 TO 23)
	⊕	M10	159.3 TO 203.6 (18 TO 23)

NOTE: REFER TO APPLICABLE CODES FOR PROPER WIRE TYPE AND SIZE

FOR ADDITIONAL DETAILS AND SPECIFICATIONS, CONSULT MANUAL

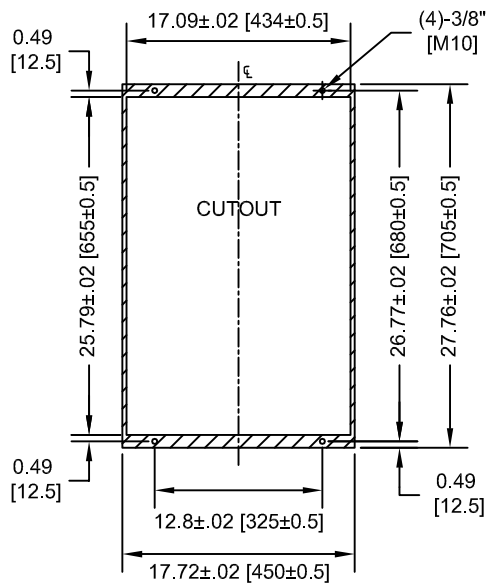
TOLERANCES / REFERENCES:		 THIS DOCUMENT AND INFORMATION CONTAINED IN IT ARE CONFIDENTIAL, AND CANNOT BE COPIED OR DISCLOSED IN WHOLE OR IN PART WITHOUT THE EXPRESS WRITTEN CONSENT OF YASKAWA AMERICA, INC.	DRAWN: J. MATTAS	DATE 11-4-10	TITLE: A1000 DIMENSION DRAWING FRAME SIZE 11 NEMA TYPE 1 ENCLOSURE 2A0250, 2A0312, 4A0208, 5A0125 & 5A0145	
UNITS: IN [mm]	SCALE: BY VIEW		CHECKED: J. PIOTROWSKI	DATE 12-10-10		
		APPROVED: T. SASADA	DATE 12-17-10	SIZE A	REVISION R00	PAGE 3 of 4
		ORIGINAL DESIGN: -	DATE -	DRAWING #: DD.A1K.FR11.N1		

MINIMUM INSTALLATION CLEARANCES (SCALE 1:15)



NOTE:
FOR SIDE-BY-SIDE MOUNTING
CONSULT MANUAL

PANEL CUTOUT FOR EXTERNAL HEATSINK
MOUNTING CONFIGURATION (SCALE 1:15)



NOTE:
EXPOSED HEATSINK DEPTH
D=5.12" MINUS PANEL THICKNESS

FOR ADDITIONAL DETAILS AND SPECIFICATIONS, CONSULT MANUAL

TOLERANCES / REFERENCES:			DRAWN: J. MATTAS	DATE: 11-4-10	TITLE: A1000 DIMENSION DRAWING	
			CHECKED: J. PIOTROWSKI	DATE: 12-10-10	FRAME SIZE 11 NEMA TYPE 1 ENCLOSURE	
		THIS DOCUMENT AND INFORMATION CONTAINED IN IT ARE CONFIDENTIAL, AND CANNOT BE COPIED OR DISCLOSED IN WHOLE OR IN PART WITHOUT THE EXPRESS WRITTEN CONSENT OF YASKAWA AMERICA, INC.		TECH: J. CAIRO	DATE: 12-14-10	2A0250, 2A0312, 4A0208, 5A0125 & 5A0145
UNITS: IN [mm]	SCALE: BY VIEW	APPROVED: T. SASADA	DATE: 12-17-10	SIZE: A	REVISION: R00	PAGE: 4 of 4
		ORIGINAL DESIGN: -	DATE: -	DRAWING #: DD.A1K.FR11.N1		