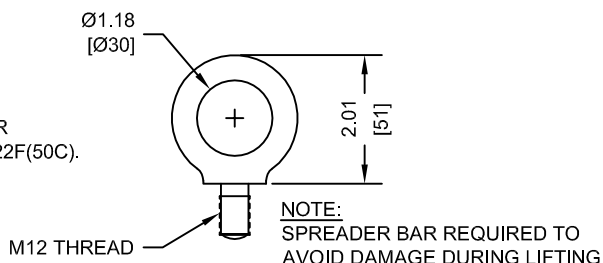


(3) EXTERNAL COOLING FANS



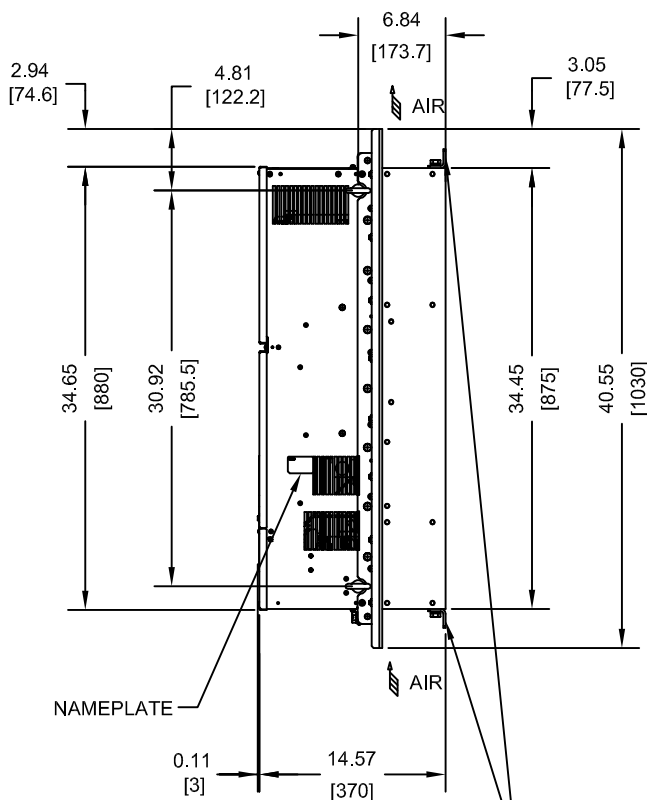
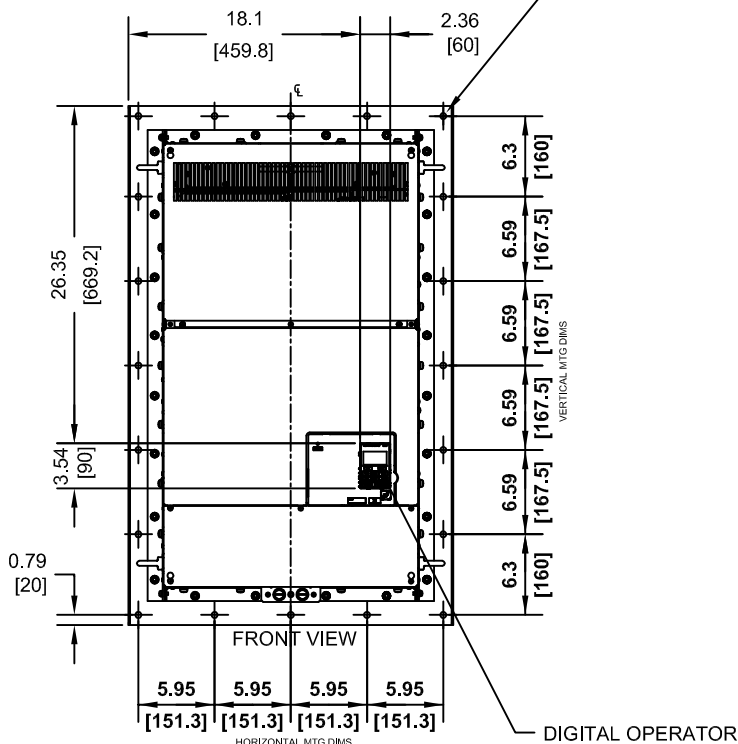
NOTE:
MAXIMUM SURROUNDING AIR
TEMPERATURE RATING IS 122F(50C).

LIFTING AND EYEBOLT DETAILS

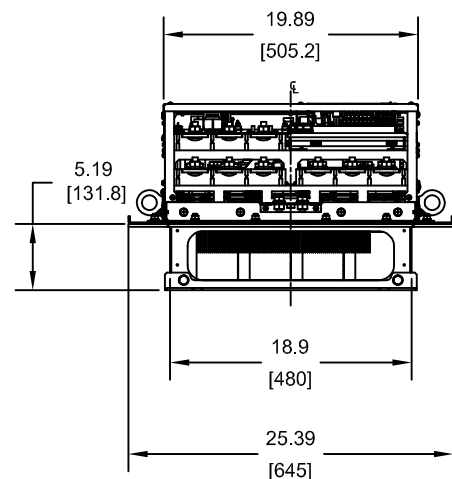


NOTE:
SPREADER BAR REQUIRED TO
AVOID DAMAGE DURING LIFTING

(20)-MOUNTING HOLES
FOR 3/8"[M10] SCREWS



(2)-MOUNTING BRACKETS
USED DURING TRANSPORT ONLY
REMOVE BEFORE INSTALLING



MODEL #	INPUT TYPE	VOLTAGE 3-PHASE (VAC)	OUTPUT CURRENT (A)		WEIGHT LBS (Kg)	HEAT LOSS (W)					
			ND	HD		ND (Fc=2kHz)			HD (Fc=5kHz)		
						INT	EXT	TOT	INT	EXT	TOT
4A0414UXX	6 PULSE	380/480	414	370	304 (138)	1295	3443	4738	1164	3578	4742

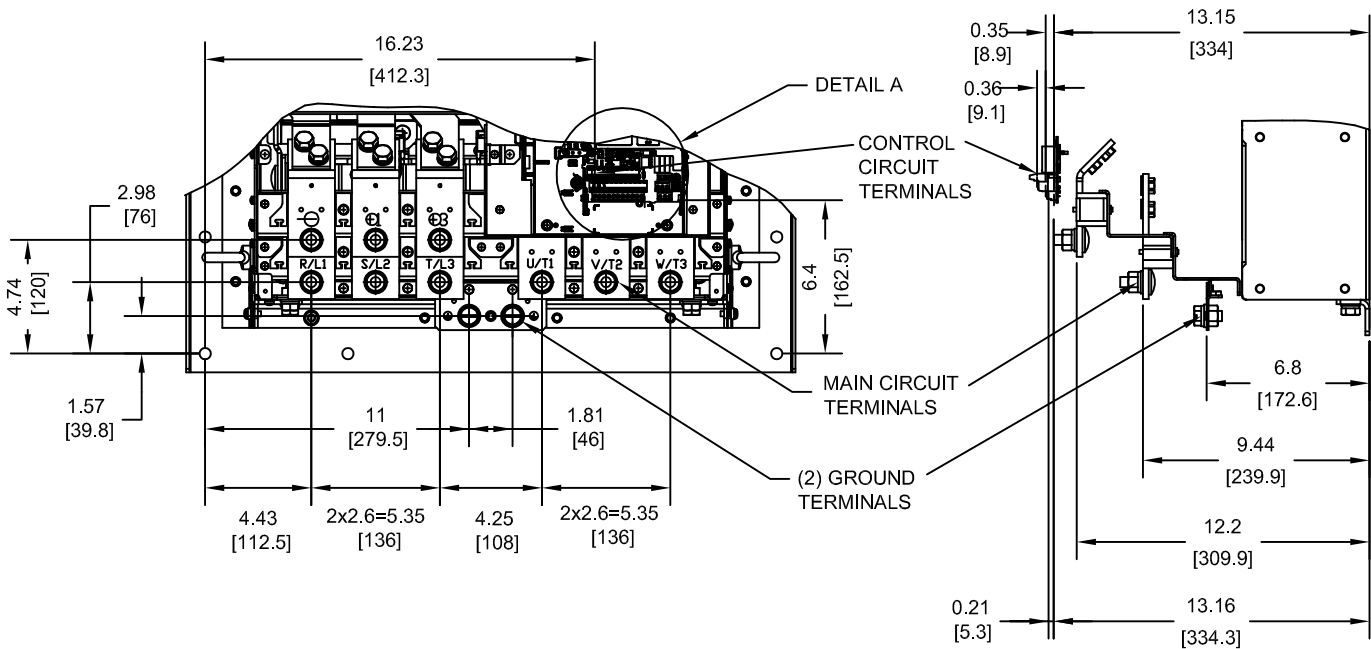
NOTES:
XX DENOTES AA-ZZ

INT=INTERNAL COMPONENTS
EXT=EXTERNAL HEATSINK
TOT=TOTAL

FOR ADDITIONAL DETAILS AND SPECIFICATIONS, CONSULT MANUAL

TOLERANCES / REFERENCES:	YASKAWA	DRAWN: J. MATTAS	DATE: 1-17-12	TITLE: A1000 DIMENSION DRAWING FRAME SIZE 13A DESIGNED FOR IP54/TYPE 12 ENCLOSURES 4A0414U		
		CHECKED: J. PIOTROWSKI	DATE: 2-10-12			
		TECH: J. BORJA	DATE: 1-26-12	SIZE: A	REVISION: R01	PAGE: 1 of 3
		APPROVED: J. CAIRO	DATE: 4-7-12	DRAWING #: DD.A1K.FR13A.FLNG		
UNITS: IN [mm]	SCALE: 1:15	ORIGINAL DESIGN: -	DATE: -			
THIS DOCUMENT AND INFORMATION CONTAINED IN IT ARE CONFIDENTIAL, AND CANNOT BE COPIED OR DISCLOSED IN WHOLE OR IN PART WITHOUT THE EXPRESS WRITTEN CONSENT OF YASKAWA AMERICA, INC.						

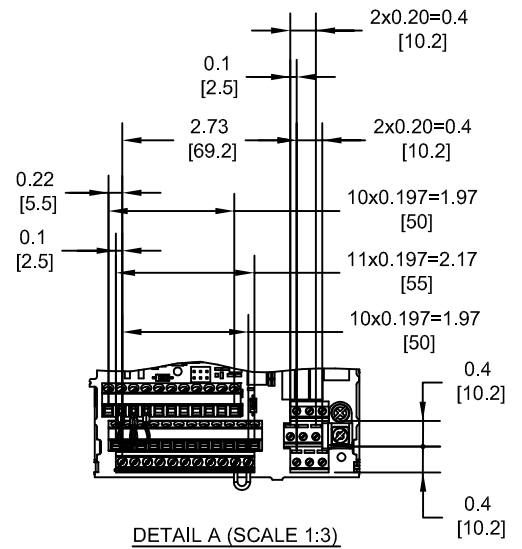
TERMINAL AND WIRING DETAILS (SCALE 1:8)



TERMINAL AND WIRE SPECIFICATIONS FOR MAIN CIRCUIT AND GROUND

MODEL # CIMR-AU	TERMINAL SYMBOL	TERMINAL SCREW	CLAMPING TORQUE lb.in.(N.m.)
4A0414U	R/L1, S/L2, T/L3	M12	283.2 TO 354.0 (32 TO 40)
	U/T1, V/T2, W/T3		
	⊖, ⊕1	M12	283.2 TO 354.0 (32 TO 40)
	⊕3		
⊕	M12	283.2 TO 354.0 (32 TO 40)	

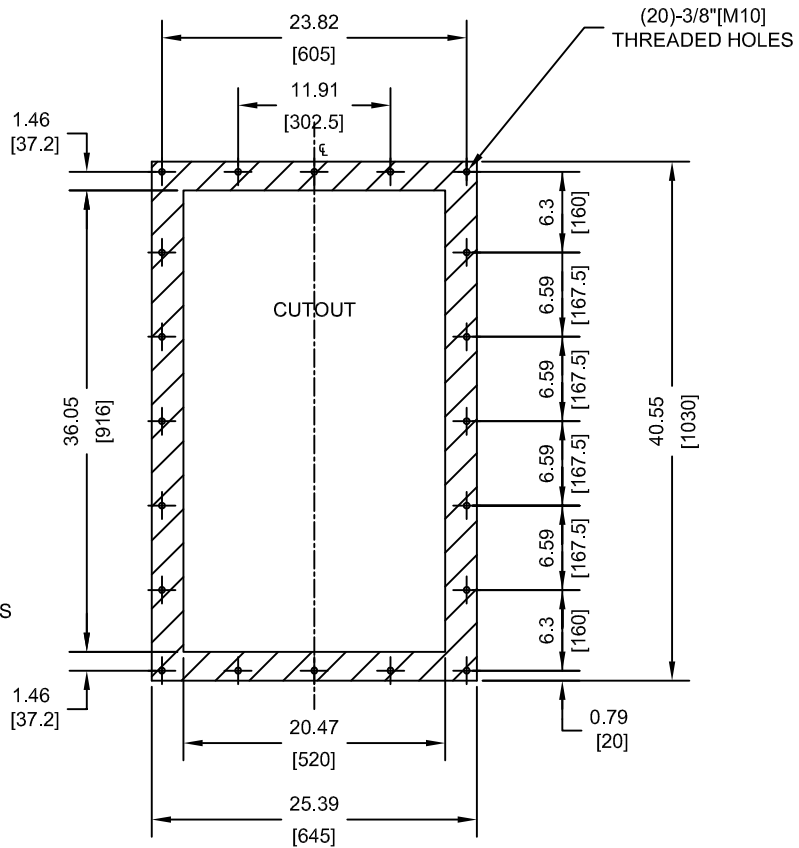
NOTE: REFER TO APPLICABLE CODES FOR PROPER WIRE TYPE AND SIZE



FOR ADDITIONAL DETAILS AND SPECIFICATIONS, CONSULT MANUAL

TOLERANCES / REFERENCES:			DRAWN: J. MATTAS DATE: 1-17-12	TITLE: A1000 DIMENSION DRAWING FRAME SIZE 13A DESIGNED FOR IP54/TYPE 12 ENCLOSURES 4A0414U		
			CHECKED: J. PIOTROWSKI DATE: 2-10-12	DATE: 1-26-12	REVISION: R01	PAGE: 2 of 3
		THIS DOCUMENT AND INFORMATION CONTAINED IN IT ARE CONFIDENTIAL, AND CANNOT BE COPIED OR DISCLOSED IN WHOLE OR IN PART WITHOUT THE EXPRESS WRITTEN CONSENT OF YASKAWA AMERICA, INC.	TECH: J. BORJA DATE: 1-26-12	DRAWING #: DD.A1K.FR13A.FLNG		
UNITS: IN [mm]	SCALE: BY VIEW	APPROVED: J. CAIRO DATE: 4-7-12		ORIGINAL DESIGN: -		


PANEL CUTOUT FOR EXTERNAL HEATSINK MOUNTING CONFIGURATION (SCALE 1:15)



NOTES:

1. CUTOUT TOLERANCES:
+/- 0.02IN (0.5MM)
2. EXPOSED HEATSINK DEPTH
D=5.19" MINUS PANEL THICKNESS
3. MIN. RECOMMENDED PANEL THICKNESS: 10 GA

FOR ADDITIONAL DETAILS AND SPECIFICATIONS, CONSULT MANUAL

TOLERANCES / REFERENCES:		 <p><i>THIS DOCUMENT AND INFORMATION CONTAINED IN IT ARE CONFIDENTIAL, AND CANNOT BE COPIED OR DISCLOSED IN WHOLE OR IN PART WITHOUT THE EXPRESS WRITTEN CONSENT OF YASKAWA AMERICA, INC.</i></p>	DRAWN: J. MATTAS DATE: 1-17-12	TITLE: A1000 DIMENSION DRAWING FRAME SIZE 13A DESIGNED FOR IP54/TYPE 12 ENCLOSURES 4A0414U
UNITS: IN [mm]	SCALE: BY VIEW		CHECKED: J. PIOTROWSKI DATE: 2-10-12	TECH: J. BORJA DATE: 1-26-12
		APPROVED: J. CAIRO DATE: 4-7-12	DATE: 4-7-12	REVISION: R01 PAGE: 3 of 3
		ORIGINAL DESIGN: -	DATE: -	DRAWING #: DD.A1K.FR13A.FLNG