

MODEL # CIMR-AU	VOLTAGE THREE-PHASE (VAC)	OUTPUT CURRENT (A)		WEIGHT LBS (Kg)	HEAT LOSS (W)					
					ND (Fc=2kHz)			HD (Fc=8kHz)		
		ND	HD		INT	EXT	TOT	INT	EXT	TOT
2A0056UXX	200/240	56.0	47.0	13.0 (5.9)	175.4	370.7	546.1	129.9	280.2	410.1
4A0038UXX	380/480	38.0	31.0	13.2 (6.0)	181.6	339.6	521.2	140.8	262.6	403.4
5A0017UXX	500/600	17.0	12.5	13.2 (6.0)	146.7	96.6	243.3	67.5	144.7	212.2
5A0022UXX		22.0	17.0	13.2 (6.0)	178.3	99.4	277.7	81.1	203.8	284.9

NOTE:
XX DENOTES AA-ZZ

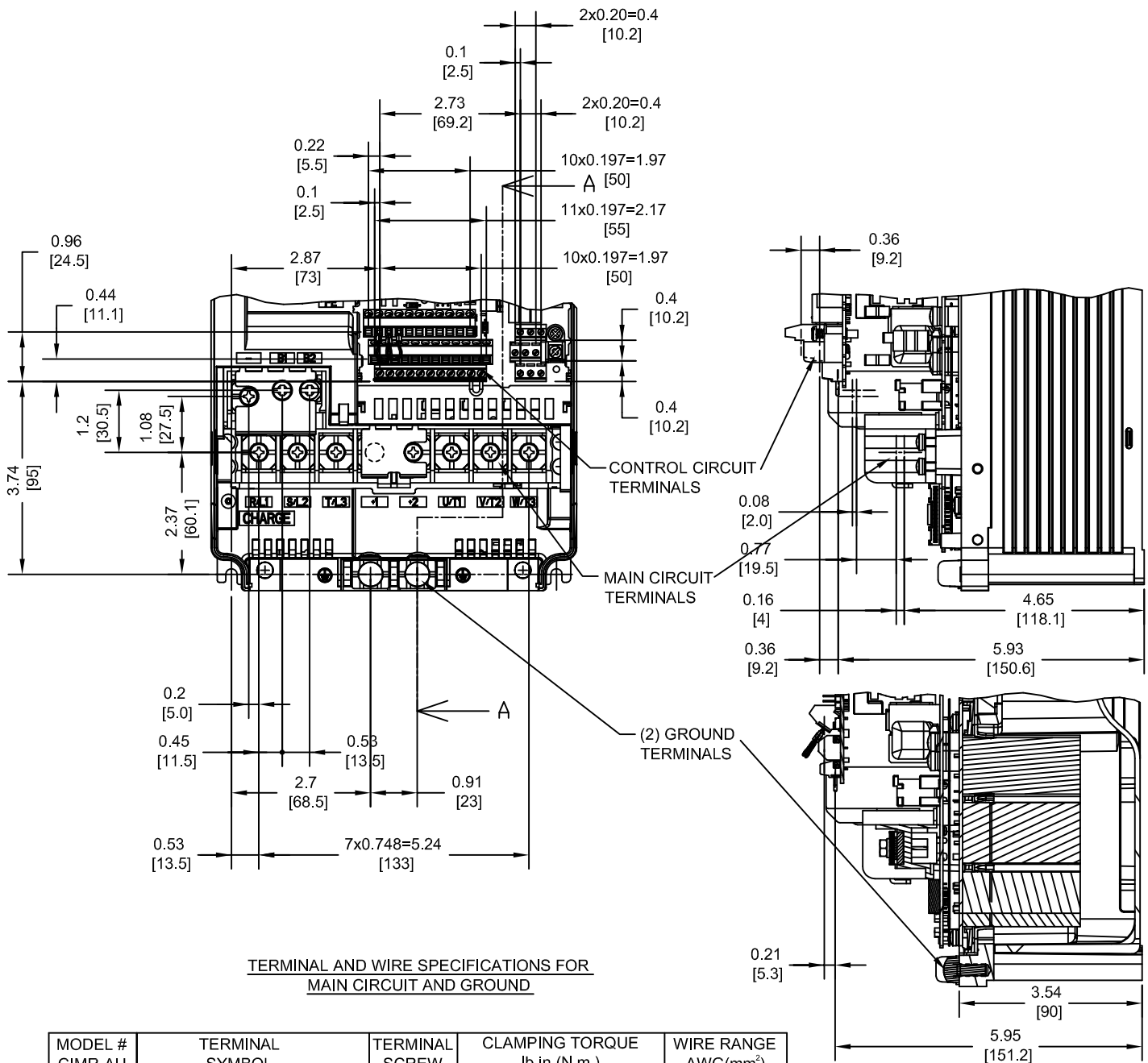
INT=INTERNAL COMPONENTS
EXT=EXTERNAL HEATSINK
TOT=TOTAL

FOR ADDITIONAL DETAILS AND SPECIFICATIONS, CONSULT MANUAL

TOLERANCES / REFERENCES:			DRAWN: J. MATTAS 5-3-11	DATE: 5-3-11	TITLE: A1000 DIMENSION DRAWING FRAME SIZE 5 DESIGNED FOR IP54 ENCLOSURES 2A0056, 4A0038, 5A0017, 5A0022		
			CHECKED: J. PIOTROWSKI 1-24-12	DATE: 1-24-12			
		TECH: J. BORJA 1-3-12	DATE: 1-3-12				
		APPROVED: J. CAIRO 4-2-12	DATE: 4-2-12				
		ORIGINAL DESIGN: -	DATE: -				
UNITS: IN [mm]	SCALE: 1:5			DRAWING #: DD.A1K.FR5.FLNG	REVISION: R00	PAGE: 1 of 3	

THIS DOCUMENT AND INFORMATION CONTAINED IN IT ARE CONFIDENTIAL, AND CANNOT BE COPIED OR DISCLOSED IN WHOLE OR IN PART WITHOUT THE EXPRESS WRITTEN CONSENT OF YASKAWA AMERICA, INC.

TERMINAL AND WIRING DETAILS (SCALE 1:3)



TERMINAL AND WIRE SPECIFICATIONS FOR MAIN CIRCUIT AND GROUND

MODEL # CIMR-AU	TERMINAL SYMBOL	TERMINAL SCREW	CLAMPING TORQUE lb.in.(N.m.)	WIRE RANGE AWG(mm ²)
2A0056	R/L1, S/L2, T/L3, U/T1, V/T2, W/T3, ⊖, ⊕1, ⊕2,	M6	35.4 TO 53.1 (4 TO 6)	6-4 (16-25)
	B1, B2	M5	17.7 TO 22.1 (2 TO 2.5)	10-6 (6.0-16)
	⊕	M6	35.4 TO 53.1 (4 TO 6)	8-6 (10-16)
4A0038 5A0017 5A0022	R/L1, S/L2, T/L3, U/T1, V/T2, W/T3,	M5	17.7 TO 22.1 (2 TO 2.5)	8-6 (10-16)
	⊖, ⊕1, ⊕2,			6 (16)
	B1, B2	M6	35.4 TO 53.1 (4 TO 6)	10-8 (6.0-10)
	⊕	M6	35.4 TO 53.1 (4 TO 6)	10-6 (6.0-16)

NOTE: REFER TO APPLICABLE CODES FOR PROPER WIRE TYPE AND SIZE

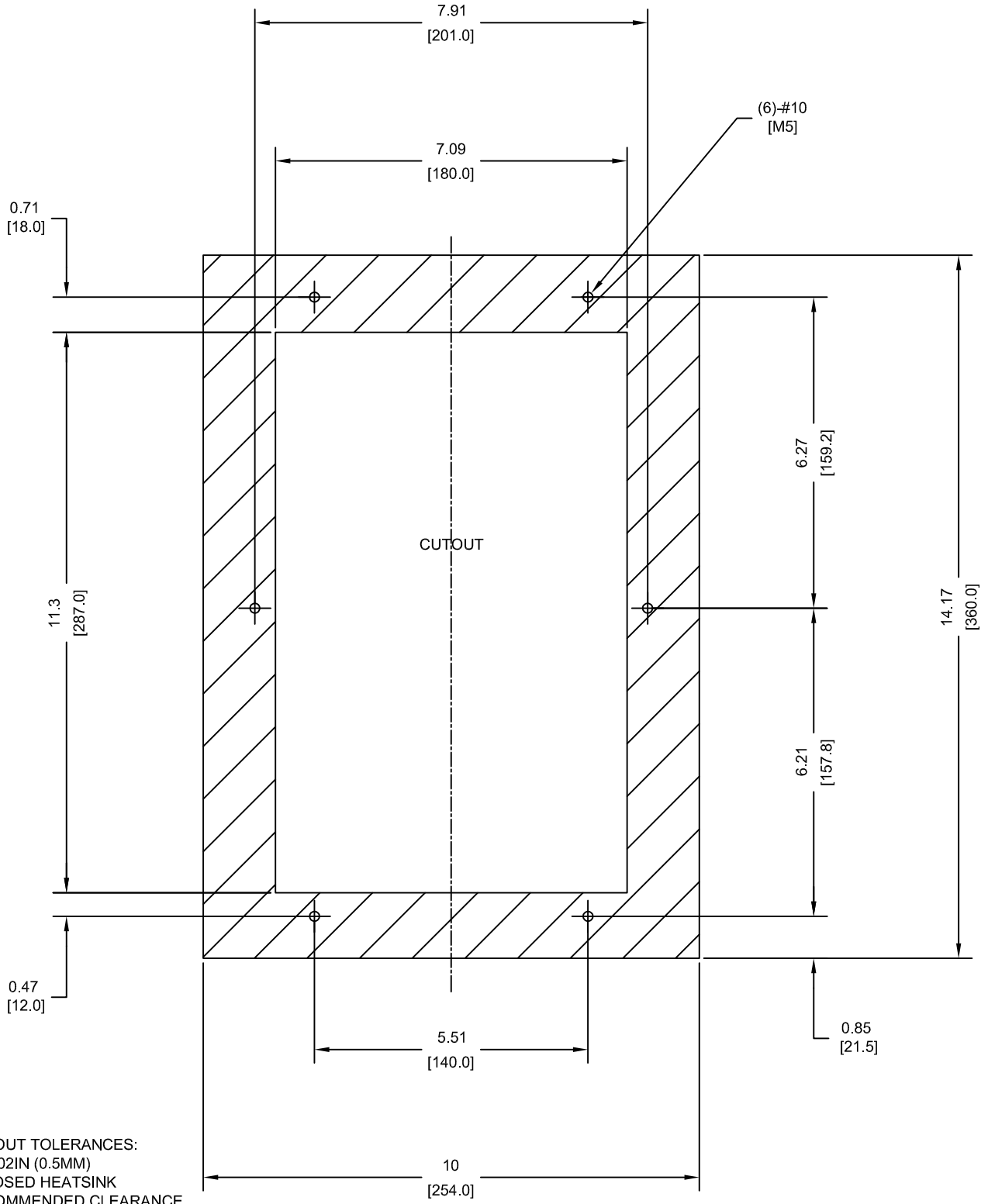
SECTION A-A

FOR ADDITIONAL DETAILS AND SPECIFICATIONS, CONSULT MANUAL

TOLERANCES / REFERENCES:		DRAWN:	J. MATTAS	DATE:	5-3-11	TITLE:	A1000 DIMENSION DRAWING				
		CHECKED:	J. PIOTROWSKI	DATE:	1-24-12		FRAME SIZE 5 DESIGNED FOR IP54 ENCLOSURES 2A0056, 4A0038, 5A0017, 5A0022				
UNITS: IN [mm]	SCALE: BY VIEW	TECH:	J. BORJA	DATE:	1-3-12	SIZE:	A	REVISION:	R00	PAGE:	2 of 3
		APPROVED:	J. CAIRO	DATE:	4-2-12	DRAWING #:	DD.A1K.FR5.FLNG				
		ORIGINAL DESIGN:	-	DATE:	-						

THIS DOCUMENT AND INFORMATION CONTAINED IN IT ARE CONFIDENTIAL, AND CANNOT BE COPIED OR DISCLOSED IN WHOLE OR IN PART WITHOUT THE EXPRESS WRITTEN CONSENT OF YASKAWA AMERICA, INC.


PANEL CUTOUT FOR EXTERNAL HEATSINK
MOUNTING CONFIGURATION (SCALE 1:3)



NOTES:

1. CUTOUT TOLERANCES:
+/- 0.02IN (0.5MM)
2. EXPOSED HEATSINK
RECOMMENDED CLEARANCE
D=3.15" MINUS PANEL THICKNESS

FOR ADDITIONAL DETAILS AND SPECIFICATIONS, CONSULT MANUAL

TOLERANCES / REFERENCES:		 THIS DOCUMENT AND INFORMATION CONTAINED IN IT ARE CONFIDENTIAL, AND CANNOT BE COPIED OR DISCLOSED IN WHOLE OR IN PART WITHOUT THE EXPRESS WRITTEN CONSENT OF YASKAWA AMERICA, INC.	DRAWN: J. MATTAS CHECKED: J. PIOTROWSKI TECH: J. BORJA APPROVED: J. CAIRO ORIGINAL DESIGN: -	DATE 5-3-11 DATE 1-24-12 DATE 1-3-12 DATE 4-2-12 DATE -	TITLE: A1000 DIMENSION DRAWING FRAME SIZE 5 DESIGNED FOR IP54 ENCLOSURES 2A0056, 4A0038, 5A0017, 5A0022 SIZE A REVISION R00 DRAWING #: DD.A1K.FR5.FLNG	PAGE 3 of 3
UNITS: IN [mm]	SCALE: BY VIEW					