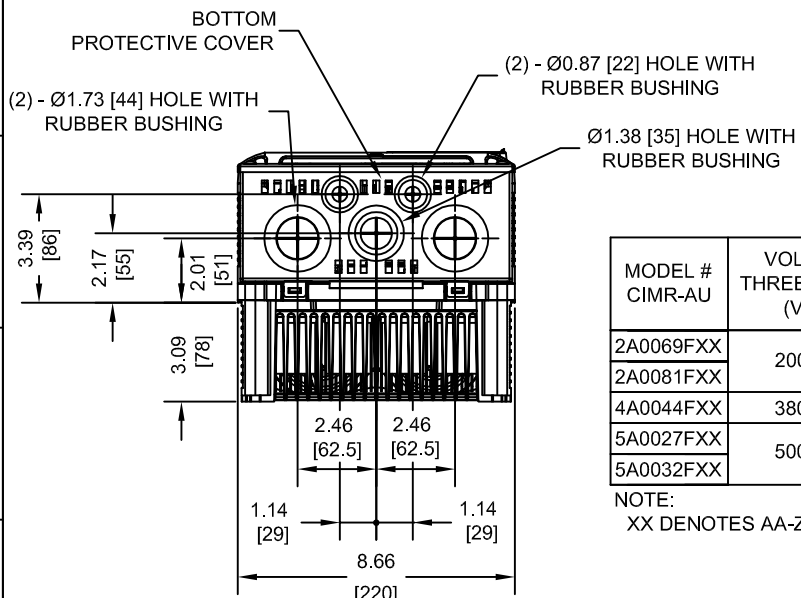
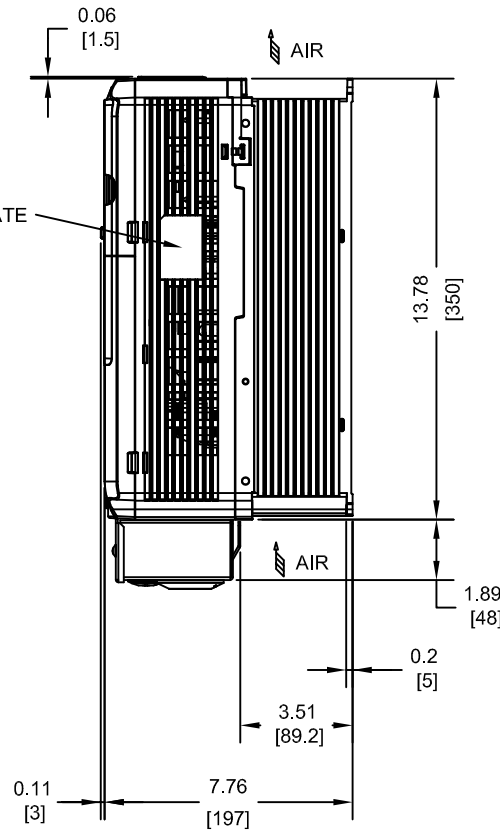
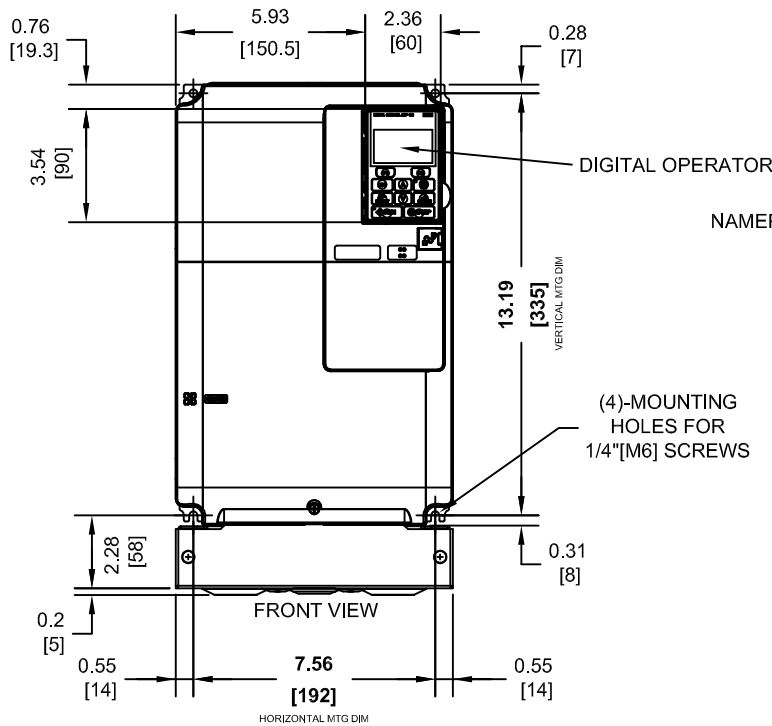


NOTE:
 PROTECTIVE COVERS ARE FACTORY INSTALLED TO THE TOP AND BOTTOM OF THE DRIVE TO MEET IP20 & NEMA TYPE 1 REQUIREMENTS, RESULTING IN AN AMBIENT TEMPERATURE RATING OF 104F(40C). REMOVE THESE COVERS WHEN OPERATING THE DRIVE WITHIN A PANEL TO OBTAIN THE MAXIMUM SURROUNDING AIR TEMPERATURE RATING OF 122F(50C). REMOVING THESE COVERS RESULTS IN AN ENCLOSURE RATING OF IP00.



MODEL # CIMR-AU	VOLTAGE THREE-PHASE (VAC)	OUTPUT CURRENT (A)		WEIGHT LBS (Kg)	HEAT LOSS (W)					
		ND	HD		ND (Fc=2kHz)			HD (Fc=8kHz)		
					INT	EXT	TOT	INT	EXT	TOT
2A0069FXX	200/240	69.0	60.0	20.0 (9.1)	204.5	491.3	695.7	162.8	394.9	557.7
2A0081FXX		81.0	75.0	22.0 (10.0)	257.4	527.4	784.9	220.9	459.8	680.7
4A0044FXX	380/480	44.0	39.0	19.1 (8.7)	208.9	389.6	598.5	179.4	329.8	509.2
5A0027FXX	500/600	27.0	22.0	19.1 (8.7)	227.2	132.1	359.3	113.9	267.2	381.1
5A0032FXX		32.0	27.0	19.1 (8.7)	279.9	141.6	421.5	132.2	332.9	465.1

NOTE:
 XX DENOTES AA-ZZ

INT=INTERNAL COMPONENTS
 EXT=EXTERNAL HEATSINK
 TOT=TOTAL

FOR ADDITIONAL DETAILS AND SPECIFICATIONS, CONSULT MANUAL

TOLERANCES / REFERENCES:

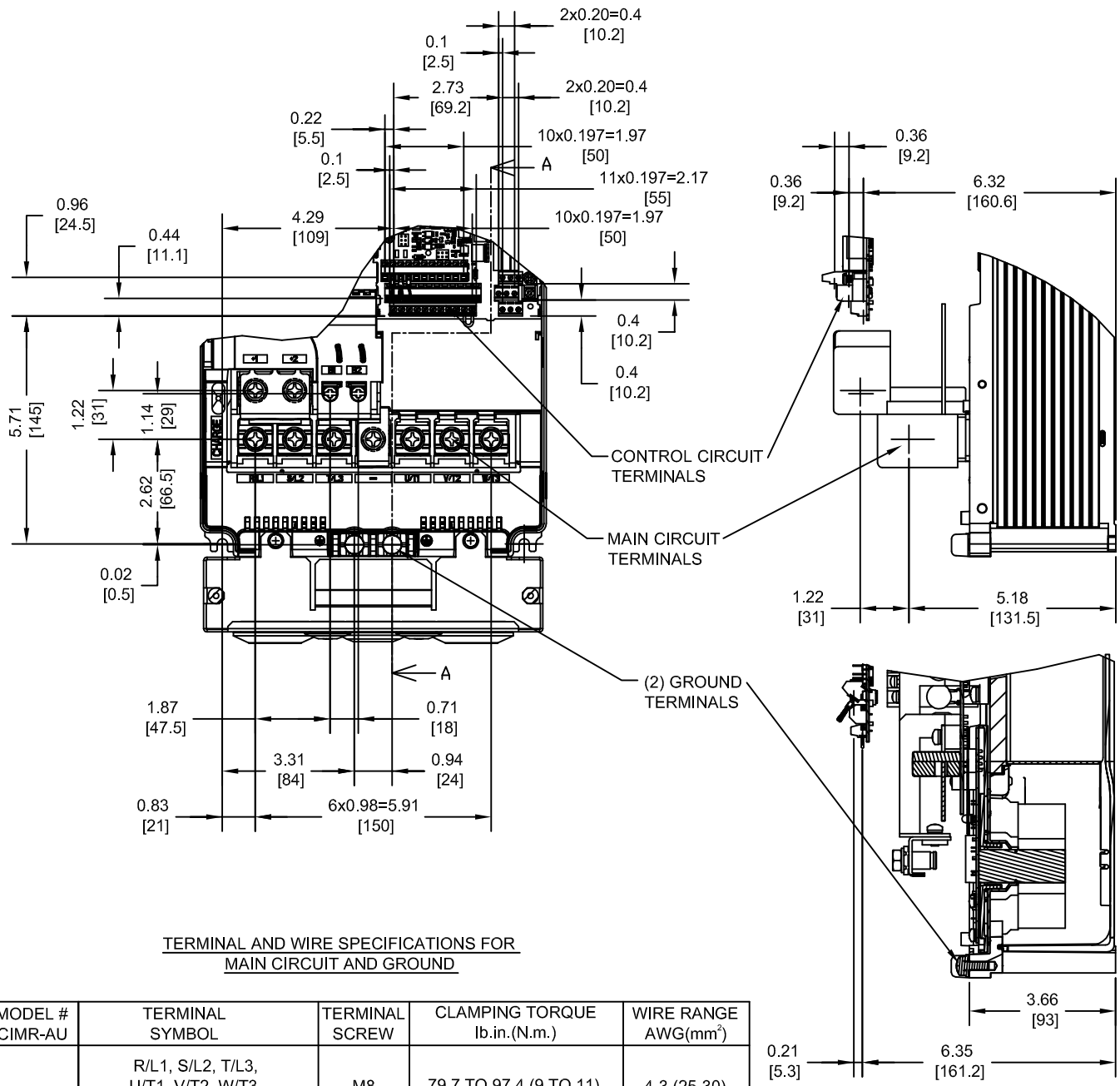


THIS DOCUMENT AND INFORMATION CONTAINED IN IT ARE CONFIDENTIAL, AND CANNOT BE COPIED OR DISCLOSED IN WHOLE OR IN PART WITHOUT THE EXPRESS WRITTEN CONSENT OF YASKAWA AMERICA, INC.

DRAWN: J. MATTAS	DATE 2-16-10	TITLE: A1000 DIMENSION DRAWING
CHECKED: J. PIOTROWSKI	DATE 3-8-10	FRAME SIZE 6
TECH: J. CAIRO	DATE 3-8-10	NEMA TYPE 1 ENCLOSURE
APPROVED: T. SASADA	DATE 3-8-10	2A0069, 2A0081, 4A0044, 5A0027, 5A0032
ORIGINAL DESIGN: -	DATE -	SIZE: A REVISION: R00 PAGE: 1 of 4
		DRAWING #: DD.A1K.FR6.N1

UNITS: IN [mm] SCALE: 1:6

MODEL AU2A0069 & 2A0081
 TERMINAL AND WIRING DETAILS (SCALE 1:4)



TERMINAL AND WIRE SPECIFICATIONS FOR
 MAIN CIRCUIT AND GROUND

MODEL # CIMR-AU	TERMINAL SYMBOL	TERMINAL SCREW	CLAMPING TORQUE lb.in.(N.m.)	WIRE RANGE AWG(mm ²)
2A0069	R/L1, S/L2, T/L3, U/T1, V/T2, W/T3, ⊖, ⊕1, ⊕2,	M8	79.7 TO 97.4 (9 TO 11)	4-3 (25-30)
	B1, B2	M5	17.7 TO 22.1 (2 TO 2.5)	8-6 (10-16)
	⊕	M6	35.4 TO 53.1 (4 TO 6)	6-4 (16-25)
2A0081	R/L1, S/L2, T/L3, U/T1, V/T2, W/T3, ⊖, ⊕1, ⊕2,	M8	79.7 TO 97.4 (9 TO 11)	3-2 (30-35)
	B1, B2	M5	17.7 TO 22.1 (2 TO 2.5)	6 (16)
	⊕	M6	35.4 TO 53.1 (4 TO 6)	6-4 (16-25)

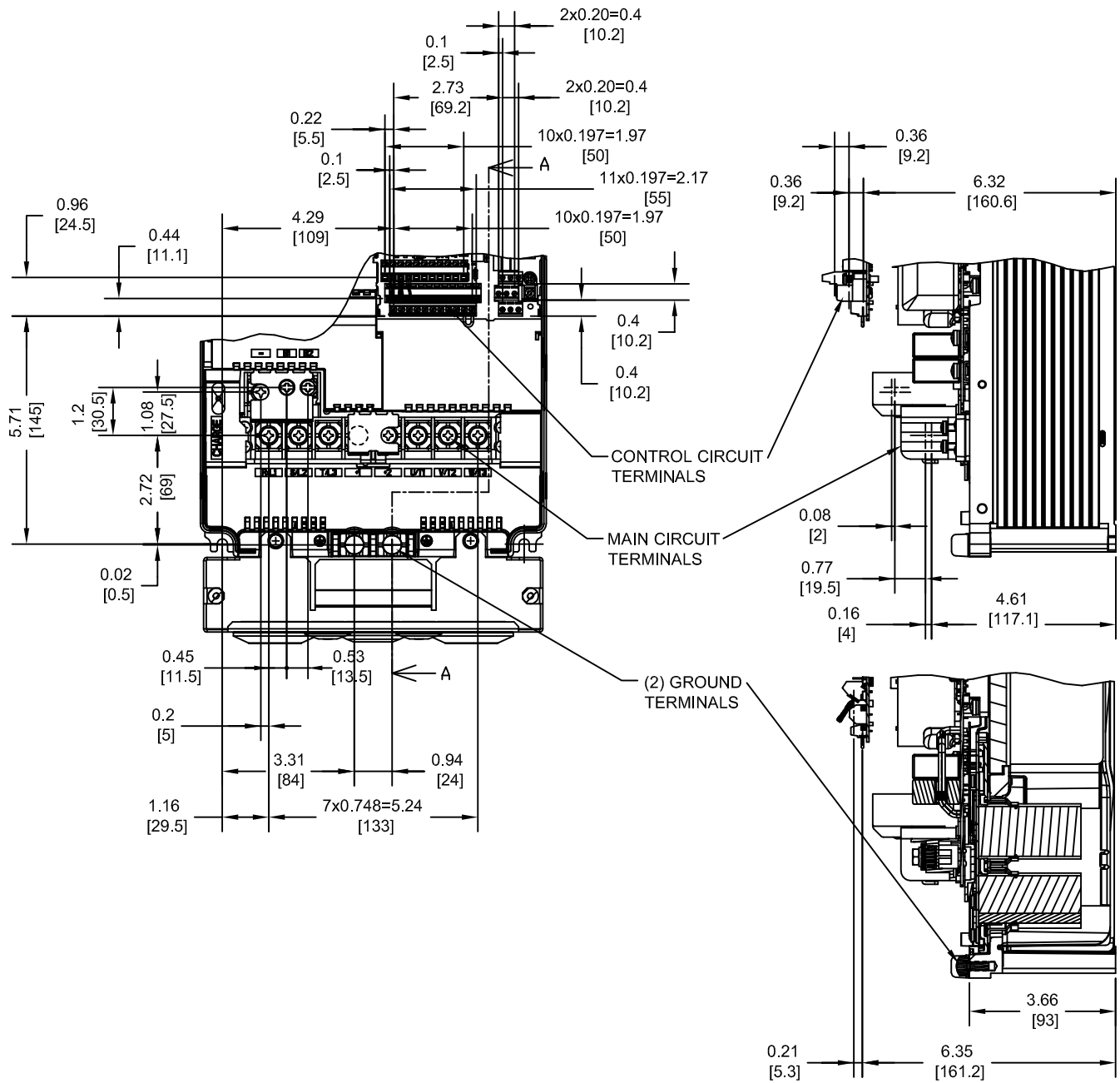
NOTE: REFER TO APPLICABLE CODES FOR PROPER WIRE TYPE AND SIZE

FOR ADDITIONAL DETAILS AND SPECIFICATIONS, CONSULT MANUAL

TOLERANCES / REFERENCES:		DRAWN: J. MATTAS DATE: 2-16-10	TITLE: A1000 DIMENSION DRAWING FRAME SIZE 6 NEMA TYPE 1 ENCLOSURE 2A0069, 2A0081, 4A0044, 5A0027, 5A0032		
		CHECKED: J. PIOTROWSKI DATE: 3-8-10	TECH: J. CAIRO DATE: 3-8-10	SIZE A	REVISION R00
UNITS: IN[mm]	SCALE: BY VIEW	APPROVED: T. SASADA DATE: 3-8-10	ORIGINAL DESIGN: -	DATE: -	DRAWING #: DD.A1K.FR6.N1

THIS DOCUMENT AND INFORMATION CONTAINED IN IT ARE CONFIDENTIAL, AND CANNOT BE COPIED OR DISCLOSED IN WHOLE OR IN PART WITHOUT THE EXPRESS WRITTEN CONSENT OF YASKAWA AMERICA, INC.

MODELS AU4A0044, 5A0027 & 5A0032
 TERMINAL AND WIRING DETAILS (SCALE 1:4)




TERMINAL AND WIRE SPECIFICATIONS FOR
 MAIN CIRCUIT AND GROUND

SECTION A-A

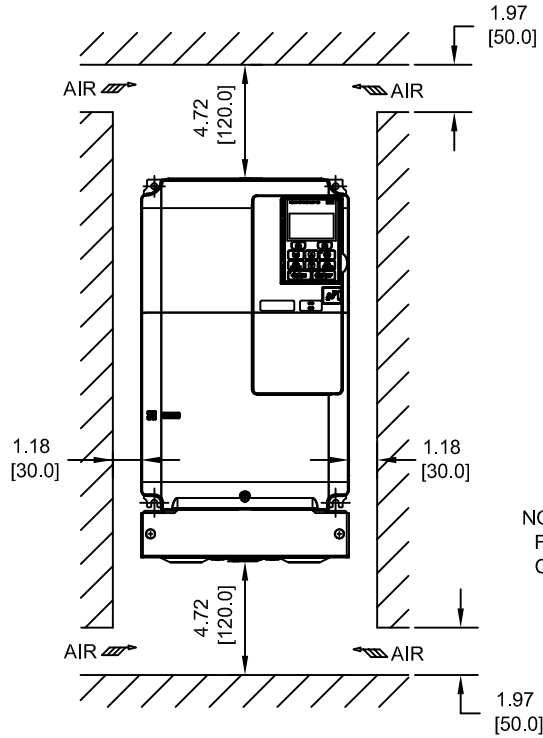
MODEL # CIMR-AU	TERMINAL SYMBOL	TERMINAL SCREW	CLAMPING TORQUE lb.in.(N.m.)	WIRE RANGE AWG(mm ²)
4A0044 5A0027 5A0032	R/L1, S/L2, T/L3, U/T1, V/T2, W/T3, ⊖, ⊕1, ⊕2,	M6	35.4 TO 53.1 (4 TO 6)	6-4 (16-25)
	B1, B2	M5	17.7 TO 22.1 (2 TO 2.5)	10-8 (6.0-10)
	⊕	M6	35.4 TO 53.1 (4 TO 6)	8-6 (10-16)

NOTE: REFER TO APPLICABLE CODES FOR PROPER WIRE TYPE AND SIZE

FOR ADDITIONAL DETAILS AND SPECIFICATIONS, CONSULT MANUAL

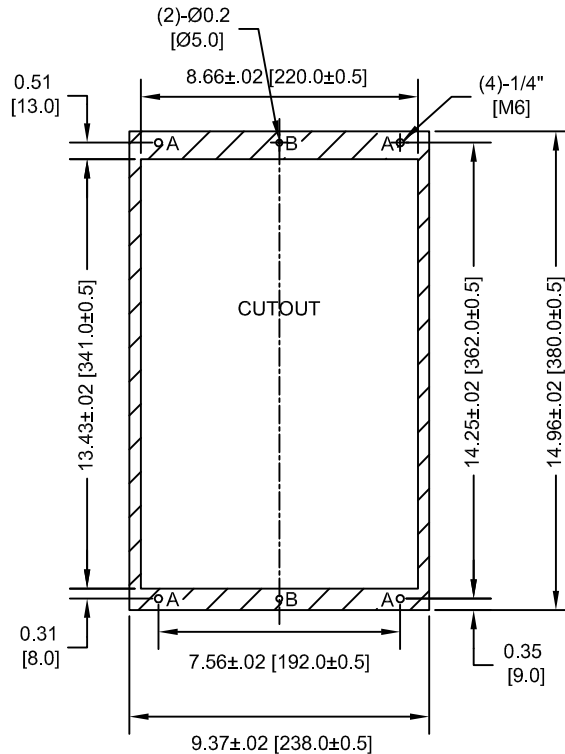
TOLERANCES / REFERENCES:  THIS DOCUMENT AND INFORMATION CONTAINED IN IT ARE CONFIDENTIAL, AND CANNOT BE COPIED OR DISCLOSED IN WHOLE OR IN PART WITHOUT THE EXPRESS WRITTEN CONSENT OF YASKAWA AMERICA, INC.	DRAWN: J. MATTAS DATE: 2-16-10	TITLE: A1000 DIMENSION DRAWING FRAME SIZE 6 NEMA TYPE 1 ENCLOSURE 2A0069, 2A0081, 4A0044, 5A0027, 5A0032		
	CHECKED: J. PIOTROWSKI DATE: 3-8-10	TECH: J. CAIRO DATE: 3-8-10	SIZE A	REVISION R00
	APPROVED: T. SASADA DATE: 3-8-10	ORIGINAL DESIGN: -	DATE: -	PAGE 3 of 4
	UNITS: IN[mm]	SCALE: BY VIEW	DRAWING #: DD.A1K.FR6.N1	

MINIMUM INSTALLATION CLEARANCES (SCALE 1:8)



NOTE:
FOR SIDE-BY-SIDE MOUNTING
CONSULT MANUAL

PANEL CUTOUT FOR EXTERNAL HEATSINK
MOUNTING CONFIGURATION (SCALE 1:6)



NOTES:

1. EXTERNAL HEATSINK CONFIGURATION REQUIRES MOUNTING KIT
2. EXPOSED HEATSINK RECOMMENDED CLEARANCE D=3.35" MINUS PANEL THICKNESS

FOR ADDITIONAL DETAILS AND SPECIFICATIONS, CONSULT MANUAL

TOLERANCES / REFERENCES:			DRAWN: J. MATTAS DATE: 2-16-10	TITLE: A1000 DIMENSION DRAWING	
			CHECKED: J. PIOTROWSKI DATE: 3-8-10	FRAME SIZE 6 NEMA TYPE 1 ENCLOSURE	
		TECH: J. CAIRO DATE: 3-8-10	2A0069, 2A0081, 4A0044, 5A0027, 5A0032		
		APPROVED: T. SASADA DATE: 3-8-10	ORIGINAL DESIGN: -	DATE: -	DRAWING #: DD.A1K.FR6.N1
UNITS: IN [mm]	SCALE: BY VIEW			SIZE: A	REVISION: R00
				PAGE: 4 of 4	