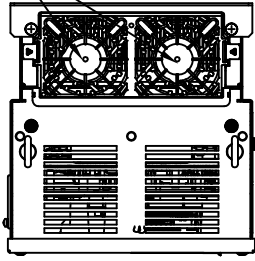
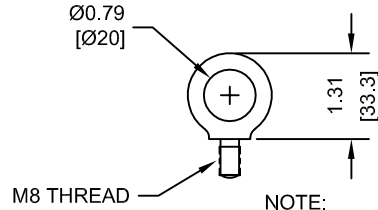


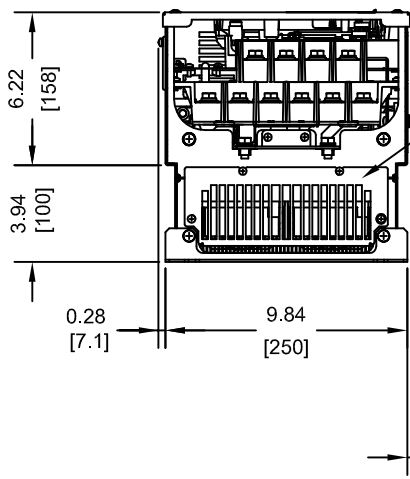
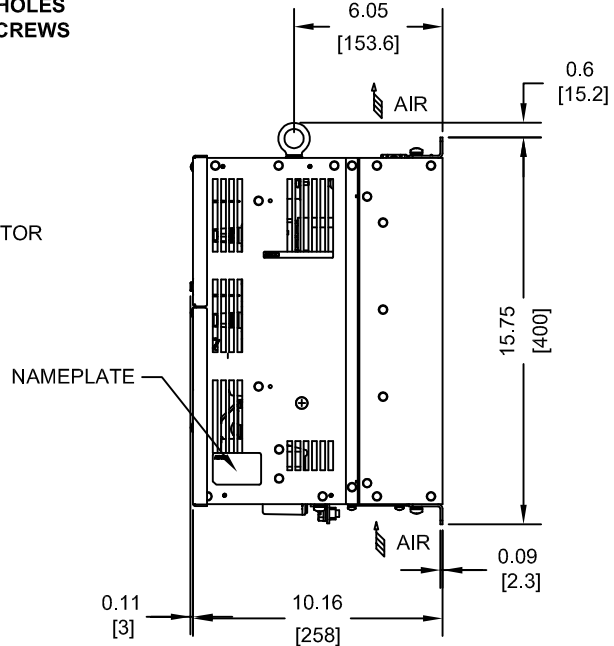
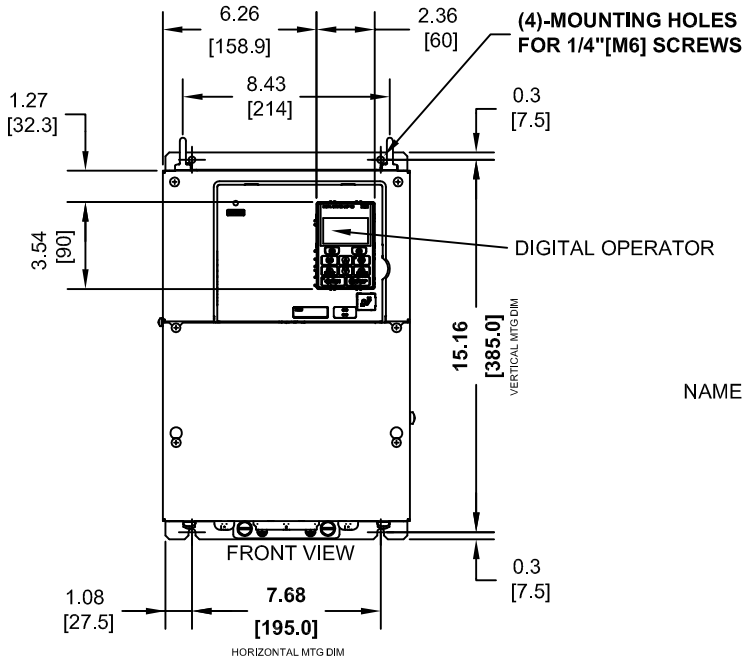
(2) EXTERNAL COOLING FANS



LIFTING AND EYEBOLT DETAILS



NOTE:
SPREADER BAR REQUIRED TO AVOID DAMAGE DURING LIFTING



OPTIONAL CAPACITOR COVER
WHEN USING AN EXTERNAL MOUNT HEATSINK, UL COMPLIANCE REQUIRES COVERING EXPOSED CAPACITORS IN THE MAIN CIRCUIT TO PREVENT INJURY. CONSULT MANUAL FOR DETAILS.

MODEL # CIMR-AU	INPUT TYPE	VOLTAGE 3-PHASE (VAC)	OUTPUT CURRENT (A)		WEIGHT LBS (Kg)	HEAT LOSS (W)					
			ND	HD		ND (Fc=2kHz)			HD (Fc=8kHz)		
						INT	EXT	TOT	INT	EXT	TOT
2A0110AXX	6 PULSE	200/240	110.0	85.0	46.2 (21)	286	719	1005	211	510	721
4A0058AXX	6 PULSE	380/480	58.0	45.0	46.2 (21)	215	471	686	170	349	519
4T0058AXX	12 PULSE	380/480	58.0	45.0	44.0 (20)	197	453	650	159	341	500

NOTE:
XX DENOTES AA-ZZ

INT=INTERNAL COMPONENTS
EXT=EXTERNAL HEATSINK
TOT=TOTAL

FOR ADDITIONAL DETAILS AND SPECIFICATIONS, CONSULT MANUAL

TOLERANCES / REFERENCES:



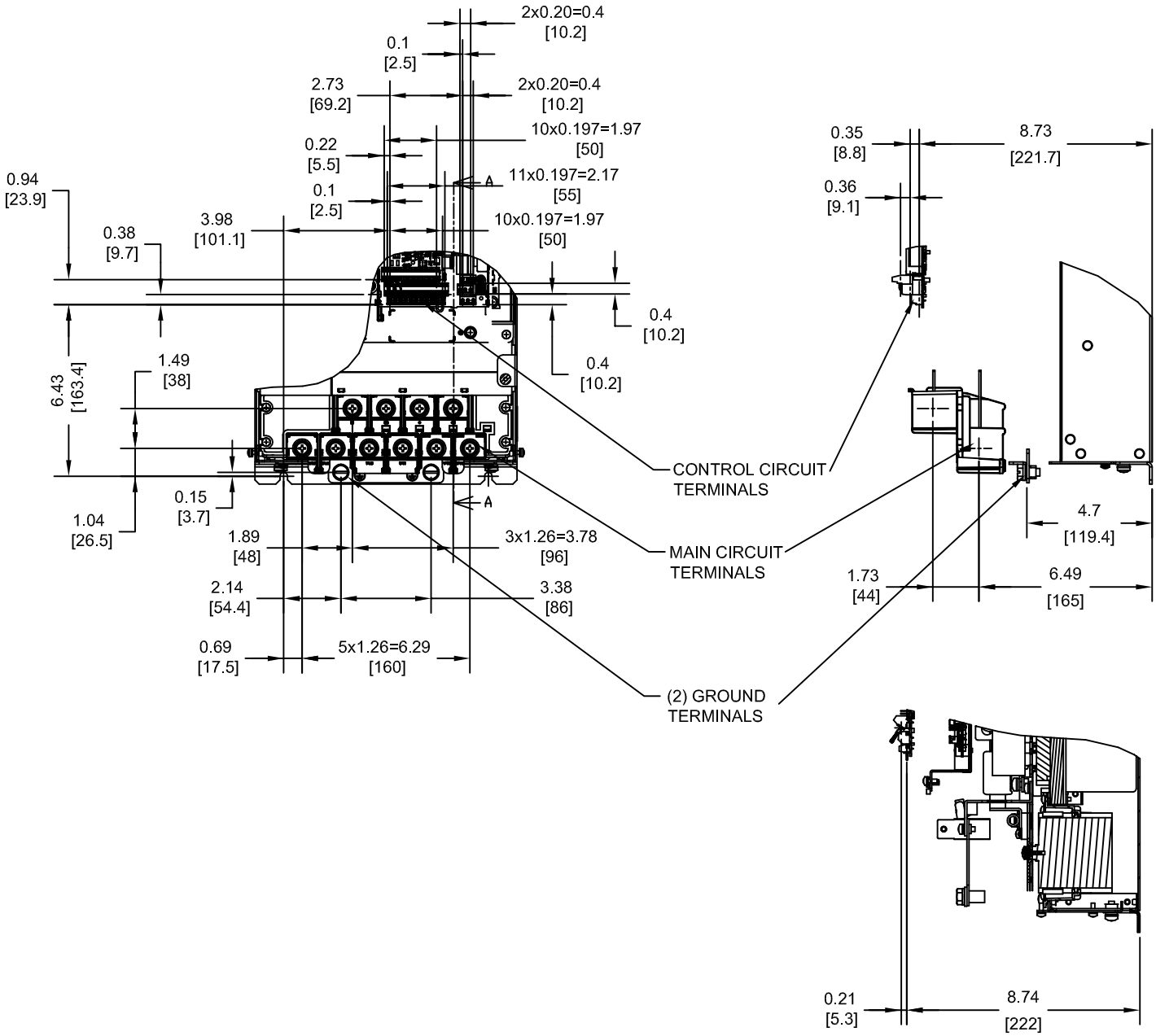
THIS DOCUMENT AND INFORMATION CONTAINED IN IT ARE CONFIDENTIAL, AND CANNOT BE COPIED OR DISCLOSED IN WHOLE OR IN PART WITHOUT THE EXPRESS WRITTEN CONSENT OF YASKAWA AMERICA, INC.

DRAWN: J. MATTAS	DATE 10-21-10
CHECKED: J. PIOTROWSKI	DATE 12-14-10
TECH: J. CAIRO	DATE 12-19-10
APPROVED: T. SASADA	DATE 12-21-10
ORIGINAL DESIGN: -	DATE -

TITLE: A1000 DIMENSION DRAWING FRAME SIZE 7 IP00 ENCLOSURE 2A0110A, 4A0058A & 4T0058A		
SIZE A	REVISION R01	PAGE 1 of 4
DRAWING #: DD.A1K.FR7.IP00		

UNITS: IN [mm] SCALE: 1:8

TERMINAL AND WIRING DETAILS (SCALE 1:6)
FOR 6-PULSE INPUT DRIVES



TERMINAL AND WIRE SPECIFICATIONS FOR
MAIN CIRCUIT AND GROUND

SECTION A-A

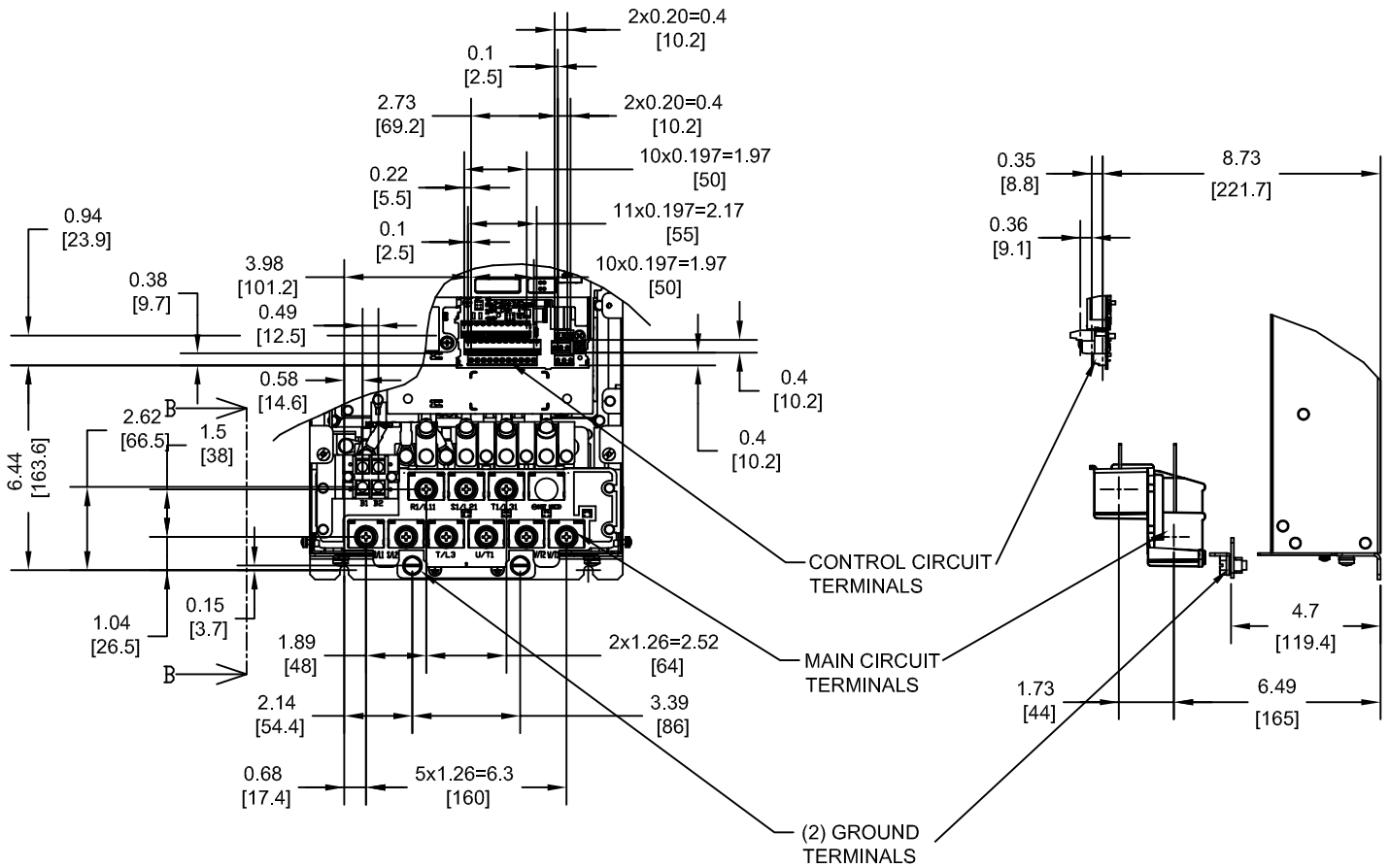
MODEL # CIMR-AU	TERMINAL SYMBOL	TERMINAL SCREW	CLAMPING TORQUE lb.in.(N.m.)	WIRE RANGE AWG(mm ²)
2A0110A 4A0058A	R/L1, S/L2, T/L3	M8	79.7 TO 97.4 (9 TO 11)	10-1/0 (5.3-53.5)
	U/T1, V/T2, W/T3			
	⊖, ⊕1			
	B1, B2			
	⊕	M8	79.7 TO 97.4 (9 TO 11)	SEE NOTE

NOTE: REFER TO APPLICABLE CODES FOR PROPER WIRE TYPE AND SIZE

FOR ADDITIONAL DETAILS AND SPECIFICATIONS, CONSULT MANUAL

TOLERANCES / REFERENCES:			DRAWN: J. MATTAS DATE: 10-21-10	TITLE: A1000 DIMENSION DRAWING FRAME SIZE 7 IP00 ENCLOSURE 2A0110A, 4A0058A & 4T0058A		
UNITS: IN [mm]			CHECKED: J. PIOTROWSKI DATE: 12-14-10	TECH: J. CAIRO DATE: 12-19-10	SIZE: A	REVISION: R01
SCALE: BY VIEW		THIS DOCUMENT AND INFORMATION CONTAINED IN IT ARE CONFIDENTIAL, AND CANNOT BE COPIED OR DISCLOSED IN WHOLE OR IN PART WITHOUT THE EXPRESS WRITTEN CONSENT OF YASKAWA AMERICA, INC.	APPROVED: T. SASADA DATE: 12-21-10	ORIGINAL DESIGN: -	DRAWING #: DD.A1K.FR7.IP00	

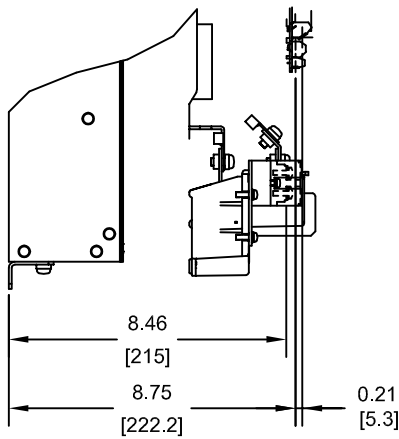
TERMINAL AND WIRING DETAILS (SCALE 1:6)
FOR 12-PULSE INPUT DRIVES



TERMINAL AND WIRE SPECIFICATIONS FOR
MAIN CIRCUIT AND GROUND

MODEL # CIMR-AU	TERMINAL SYMBOL	TERMINAL SCREW	CLAMPING TORQUE lb.in.(N.m.)	WIRE RANGE AWG(mm ²)
4T0058A	R/L1, S/L2, T/L3	M8	79.7 TO 97.4 (9 TO 11)	10-1/0 (5.3-53.5)
	R1/L11, S1/L21, T1/L31			
	U/T1, V/T2, W/T3			
	B1, B2	M4	10.6 (1.2)	22-10 (0.3-5.3)
	⊕	M8	79.7 TO 97.4 (9 TO 11)	SEE NOTE

NOTE: REFER TO APPLICABLE CODES FOR PROPER WIRE TYPE AND SIZE

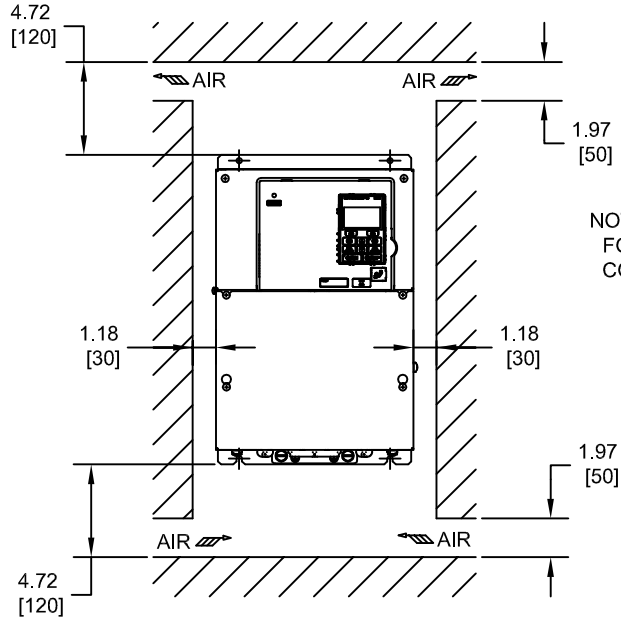


SECTION B-B

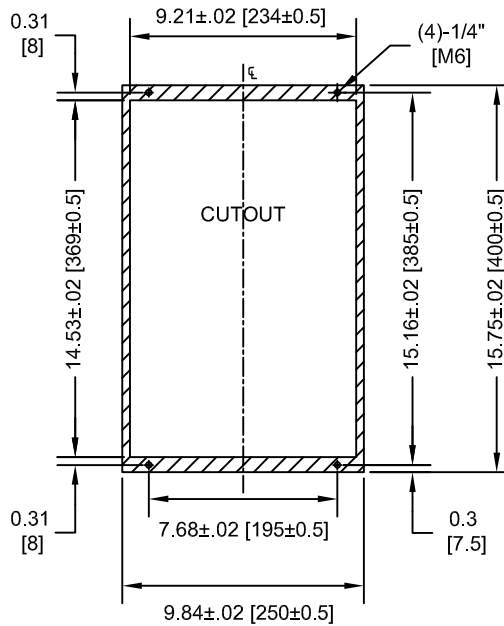
FOR ADDITIONAL DETAILS AND SPECIFICATIONS, CONSULT MANUAL

TOLERANCES / REFERENCES:			DRAWN: J. MATTAS DATE: 10-21-10	TITLE: A1000 DIMENSION DRAWING FRAME SIZE 7 IP00 ENCLOSURE 2A0110A, 4A0058A & 4T0058A
UNITS: IN [mm] SCALE: BY VIEW			CHECKED: J. PIOTROWSKI DATE: 12-14-10	TECH: J. CAIRO DATE: 12-19-10
THIS DOCUMENT AND INFORMATION CONTAINED IN IT ARE CONFIDENTIAL, AND CANNOT BE COPIED OR DISCLOSED IN WHOLE OR IN PART WITHOUT THE EXPRESS WRITTEN CONSENT OF YASKAWA AMERICA, INC.		APPROVED: T. SASADA DATE: 12-21-10	ORIGINAL DESIGN: - DATE: -	SIZE: A REVISION: R01 PAGE: 3 of 4 DRAWING #: DD.A1K.FR7.IP00

MINIMUM INSTALLATION CLEARANCES (SCALE 1:10)



PANEL CUTOUT FOR EXTERNAL HEATSINK MOUNTING CONFIGURATION (SCALE 1:8)



NOTE:
EXPOSED HEATSINK DEPTH
D=3.94" MINUS PANEL THICKNESS

FOR ADDITIONAL DETAILS AND SPECIFICATIONS, CONSULT MANUAL

TOLERANCES / REFERENCES:			DRAWN: J. MATTAS	DATE: 10-21-10	TITLE: A1000 DIMENSION DRAWING	
			CHECKED: J. PIOTROWSKI	DATE: 12-14-10	FRAME SIZE 7 IP00 ENCLOSURE	
		THIS DOCUMENT AND INFORMATION CONTAINED IN IT ARE CONFIDENTIAL, AND CANNOT BE COPIED OR DISCLOSED IN WHOLE OR IN PART WITHOUT THE EXPRESS WRITTEN CONSENT OF YASKAWA AMERICA, INC.			TECH: J. CAIRO	DATE: 12-19-10
					APPROVED: T. SASADA	DATE: 12-21-10
					ORIGINAL DESIGN: -	DATE: -
UNITS: IN [mm]	SCALE: BY VIEW			SIZE: A	REVISION: R01	PAGE: 4 of 4
		DRAWING #: DD.A1K.FR7.IP00				