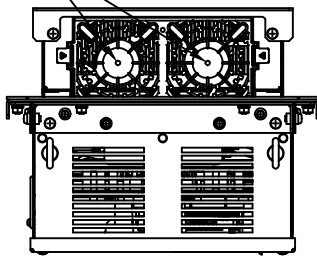
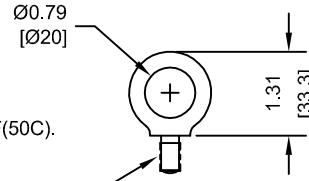


(2) EXTERNAL COOLING FANS

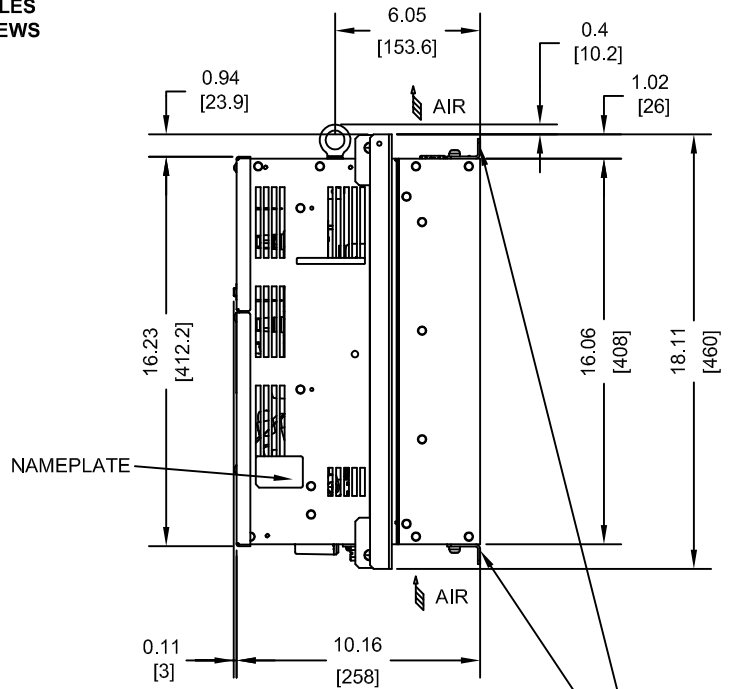
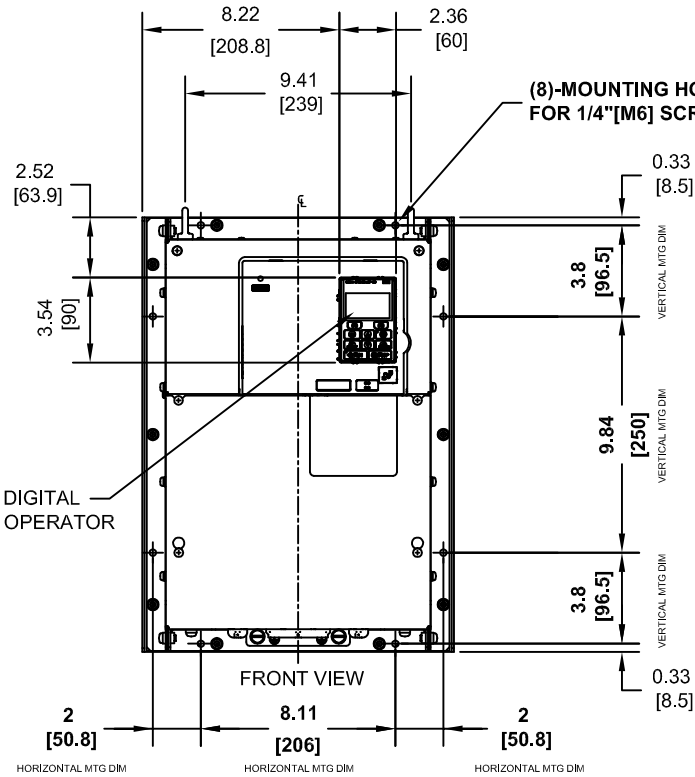


LIFTING AND EYEBOLT DETAILS

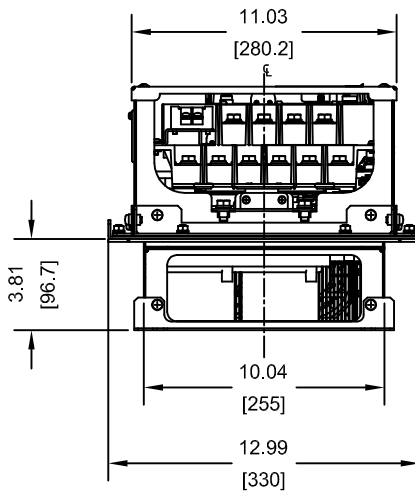


NOTE:  
MAXIMUM SURROUNDING AIR  
TEMPERATURE RATING IS 122F(50C).

NOTE:  
SPREADER BAR REQUIRED TO  
AVOID DAMAGE DURING LIFTING



(2)-MOUNTING BRACKETS  
USED DURING TRANSPORT ONLY  
REMOVE BEFORE INSTALLING



MODEL # CIMR-AU	INPUT TYPE	VOLTAGE 3-PHASE (VAC)	OUTPUT CURRENT (A)		WEIGHT LBS (Kg)	HEAT LOSS (W)					
			ND	HD		ND (Fc=2kHz)			HD (Fc=8kHz)		
						INT	EXT	TOT	INT	EXT	TOT
2A0138UXX	6 PULSE	200/240	138	115	61.6 (28)	312	842	1154	250	662	912
4A0072UXX	6 PULSE	380/480	72	60	59.4 (27)	265	605	870	217	484	701
4T0072UXX	12 PULSE		72	60	52.8 (24)	244	588	832	206	477	683
5A0041UXX	6 PULSE	500/600	41	32	59.4 (27)	136	331	467	128	406	534
5A0052UXX	6 PULSE		52	41	59.4 (27)	166	428	594	161	527	688

NOTE:  
XX DENOTES AA-ZZ

INT=INTERNAL COMPONENTS  
EXT=EXTERNAL HEATSINK  
TOT=TOTAL

FOR ADDITIONAL DETAILS AND SPECIFICATIONS, CONSULT MANUAL

TOLERANCES / REFERENCES:



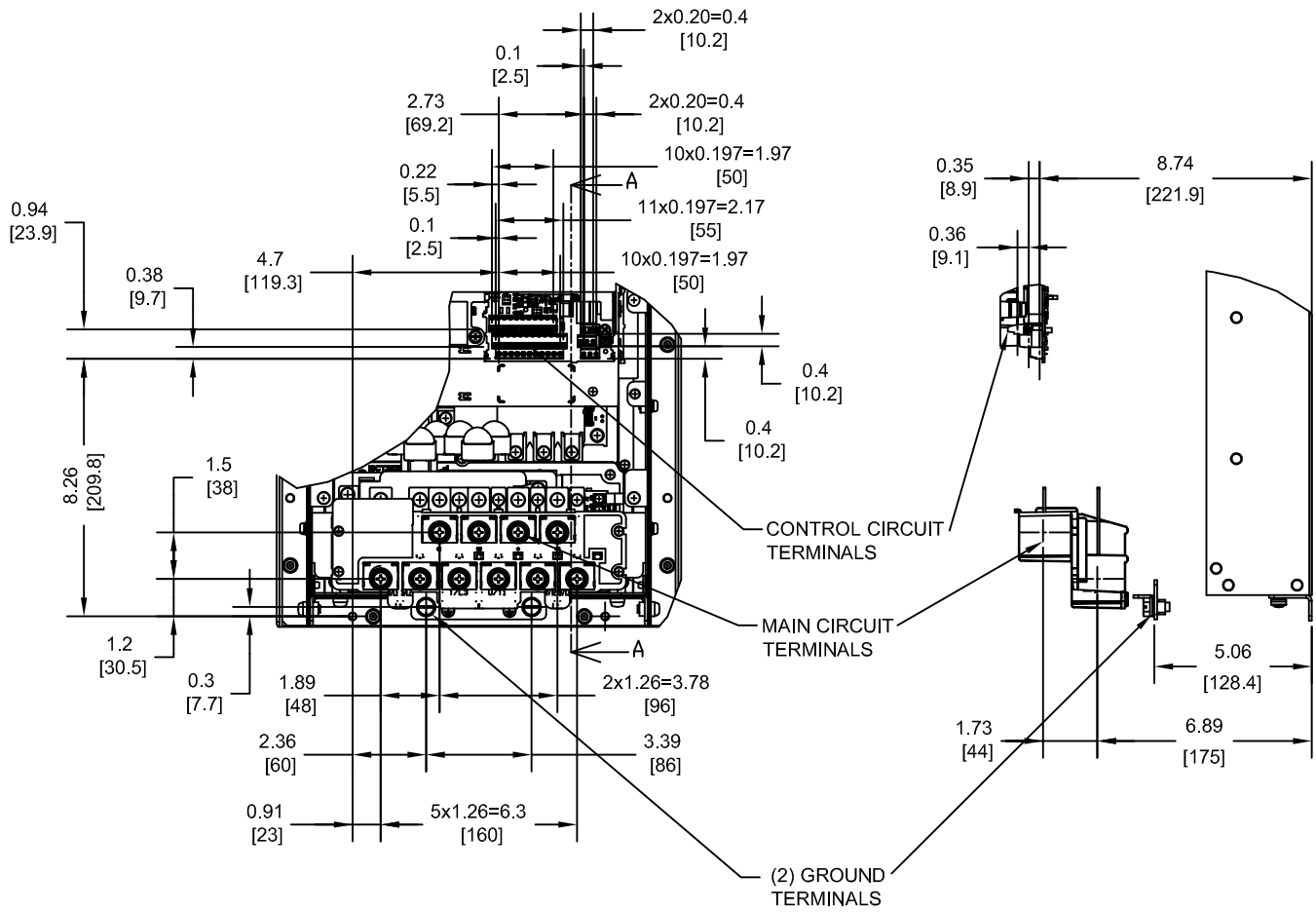
THIS DOCUMENT AND INFORMATION CONTAINED  
IN IT ARE CONFIDENTIAL, AND CANNOT BE  
COPIED OR DISCLOSED IN WHOLE OR IN PART  
WITHOUT THE EXPRESS WRITTEN CONSENT  
OF YASKAWA AMERICA, INC.

DRAWN: J. MATTAS	DATE 1-5-12	TITLE: A1000 DIMENSION DRAWING FRAME SIZE 8 DESIGNED FOR IP54/TYPE 12 ENCLOSURES
CHECKED: J. PIOTROWSKI	DATE 2-10-12	2A0138U, 4A0072U, 4T0072U, 5A0041U & 5A0052U
TECH: J. BORJA	DATE 1-23-12	SIZE A
APPROVED: J. CAIRO	DATE 4-6-12	REVISION R01
ORIGINAL DESIGN: -	DATE -	PAGE 1 of 4
		DRAWING #: <b>DD.A1K.FR8.FLNG</b>

UNITS:  
IN [mm]

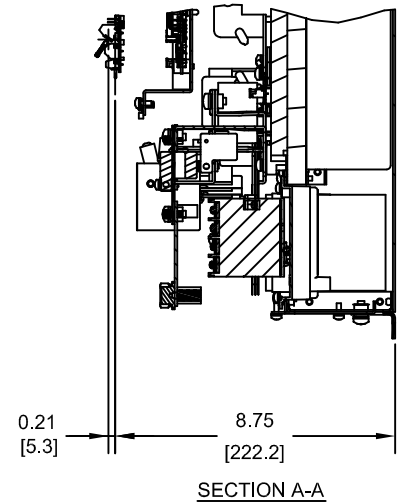
SCALE:  
1:8

TERMINAL AND WIRING DETAILS (SCALE 1:6)  
FOR 6-PULSE INPUT DRIVES



TERMINAL AND WIRE SPECIFICATIONS FOR  
MAIN CIRCUIT AND GROUND

MODEL # CIMR-AU	TERMINAL SYMBOL	TERMINAL SCREW	CLAMPING TORQUE lb.in.(N.m.)	WIRE RANGE AWG(mm <sup>2</sup> )
2A0138U	R/L1, S/L2, T/L3	M10	159 TO 204 (18 TO 23)	10-3/0 (5.3-85.0)
	U/T1, V/T2, W/T3			
	⊖, ⊕1			
	B1, B2	M8	79.7 TO 97.4 (9 TO 11)	SEE NOTE
4A0072U 5A0041U 5A0052U	R/L1, S/L2, T/L3	M8	79.7 TO 97.4 (9 TO 11)	10-3/0 (5.3-85.0)
	U/T1, V/T2, W/T3			
	⊖, ⊕1			
	B1, B2	M8	79.7 TO 97.4 (9 TO 11)	SEE NOTE

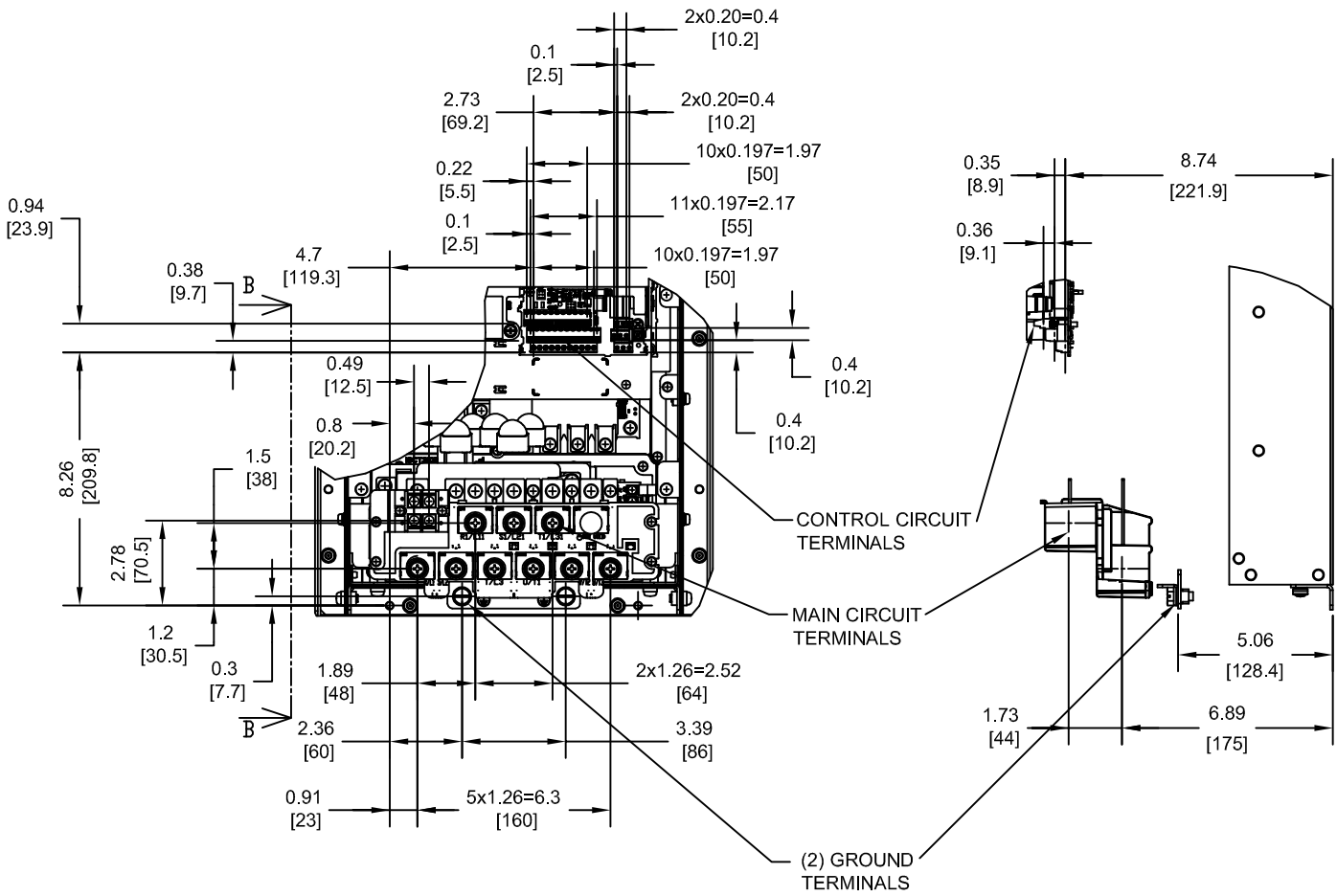


NOTE: REFER TO APPLICABLE CODES FOR PROPER WIRE TYPE AND SIZE

FOR ADDITIONAL DETAILS AND SPECIFICATIONS, CONSULT MANUAL

TOLERANCES / REFERENCES:			DRAWN: J. MATTAS DATE: 1-5-12	TITLE: A1000 DIMENSION DRAWING FRAME SIZE 8 DESIGNED FOR IP54/TYPE 12 ENCLOSURES 2A0138U, 4A0072U, 4T0072U, 5A0041U & 5A0052U	
THIS DOCUMENT AND INFORMATION CONTAINED IN IT ARE CONFIDENTIAL, AND CANNOT BE COPIED OR DISCLOSED IN WHOLE OR IN PART WITHOUT THE EXPRESS WRITTEN CONSENT OF YASKAWA AMERICA, INC.			CHECKED: J. PIOTROWSKI DATE: 2-10-12	REVISION: R01 PAGE: 2 of 4	
UNITS: IN [mm]	SCALE: BY VIEW	APPROVED: J. CAIRO DATE: 4-6-12	ORIGINAL DESIGN: -	DATE: -	DRAWING #: DD.A1K.FR8.FLNG

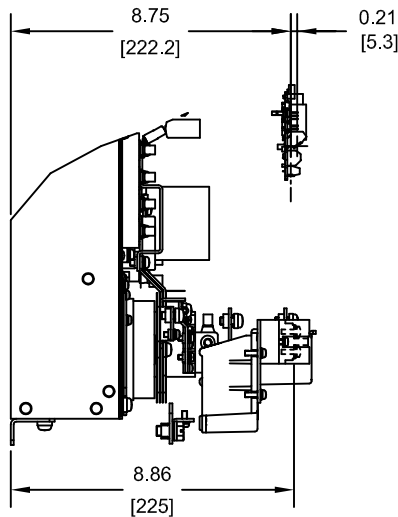
TERMINAL AND WIRING DETAILS (SCALE 1:6)  
FOR 12-PULSE INPUT DRIVES



TERMINAL AND WIRE SPECIFICATIONS FOR  
MAIN CIRCUIT AND GROUND

MODEL # CIMR-AU	TERMINAL SYMBOL	TERMINAL SCREW	CLAMPING TORQUE lb.in.(N.m.)	WIRE RANGE AWG(mm <sup>2</sup> )
4T0072U	R/L1, S/L2, T/L3	M8	79.7 TO 97.4 (9 TO 11)	10-3/0 (5.3-85.0)
	R1/L11, S1/L21, T1/L31			
	U/T1, V/T2, W/T3			
	B1, B2	M4	10.6 (1.2)	22-10 (0.3-5.3)
	⊕	M8	79.7 TO 97.4 (9 TO 11)	SEE NOTE

NOTE: REFER TO APPLICABLE CODES FOR PROPER WIRE TYPE AND SIZE

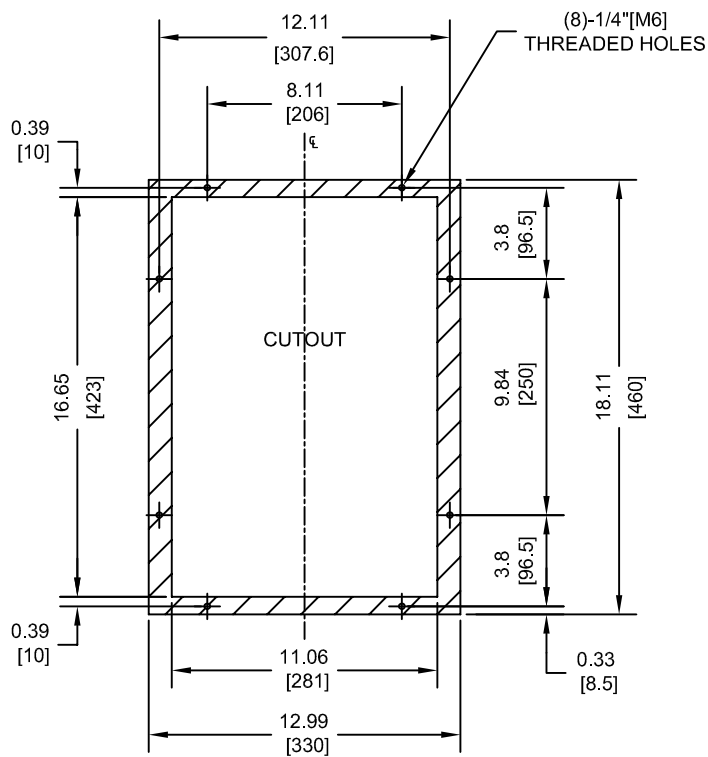


SECTION B-B

FOR ADDITIONAL DETAILS AND SPECIFICATIONS, CONSULT MANUAL

TOLERANCES / REFERENCES:			DRAWN: J. MATTAS DATE: 1-5-12	TITLE: A1000 DIMENSION DRAWING FRAME SIZE 8 DESIGNED FOR IP54/TYPE 12 ENCLOSURES 2A0138U, 4A0072U, 4T0072U, 5A0041U & 5A0052U		
UNITS: IN [mm]			CHECKED: J. PIOTROWSKI DATE: 2-10-12	TECH: J. BORJA DATE: 1-23-12	SIZE A	REVISION R01
SCALE: BY VIEW		APPROVED: J. CAIRO DATE: 4-6-12	ORIGINAL DESIGN: -	DATE: -	DRAWING #: DD.A1K.FR8.FLNG	
THIS DOCUMENT AND INFORMATION CONTAINED IN IT ARE CONFIDENTIAL, AND CANNOT BE COPIED OR DISCLOSED IN WHOLE OR IN PART WITHOUT THE EXPRESS WRITTEN CONSENT OF YASKAWA AMERICA, INC.						

**PANEL CUTOUT FOR EXTERNAL HEATSINK  
MOUNTING CONFIGURATION (SCALE 1:8)**



**NOTES:**

1. CUTOUT TOLERANCES:  
+/- 0.02IN (0.5MM)
2. EXPOSED HEATSINK DEPTH  
D=3.81" MINUS PANEL THICKNESS
3. MIN. RECOMMENDED PANEL  
THICKNESS: 12 GA

FOR ADDITIONAL DETAILS AND SPECIFICATIONS, CONSULT MANUAL

TOLERANCES / REFERENCES:		<p><b>YASKAWA</b></p> <p><i>THIS DOCUMENT AND INFORMATION CONTAINED IN IT ARE CONFIDENTIAL, AND CANNOT BE COPIED OR DISCLOSED IN WHOLE OR IN PART WITHOUT THE EXPRESS WRITTEN CONSENT OF YASKAWA AMERICA, INC.</i></p>	DRAWN: J. MATTAS DATE: 1-5-12	TITLE: A1000 DIMENSION DRAWING FRAME SIZE 8 DESIGNED FOR IP54/TYPE 12 ENCLOSURES 2A0138U, 4A0072U, 4T0072U, 5A0041U & 5A0052U
UNITS: IN [mm]	SCALE: BY VIEW		CHECKED: J. PIOTROWSKI DATE: 2-10-12	REVISION: R01 PAGE: 4 of 4
		TECH: J. BORJA DATE: 1-23-12	DATE: 1-23-12	
		APPROVED: J. CAIRO DATE: 4-6-12	DATE: 4-6-12	
		ORIGINAL DESIGN: -	DATE: -	
		DRAWING #: <b>DD.A1K.FR8.FLNG</b>		