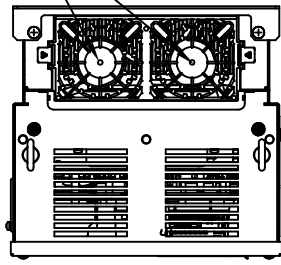
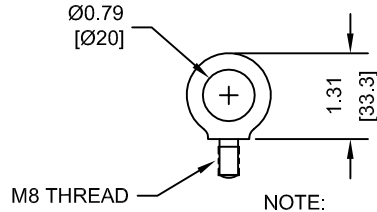


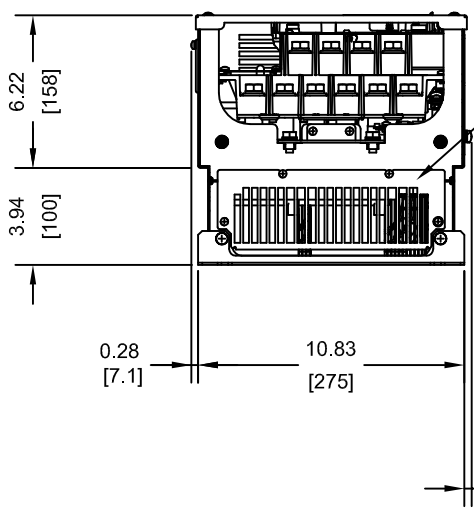
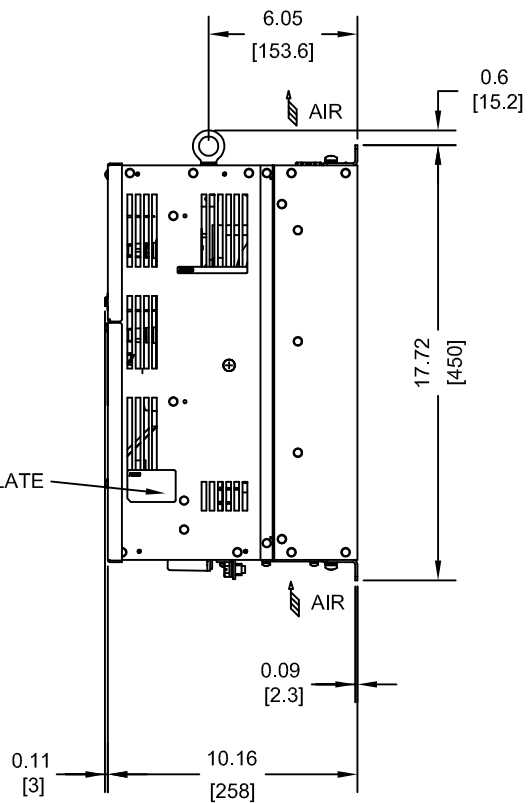
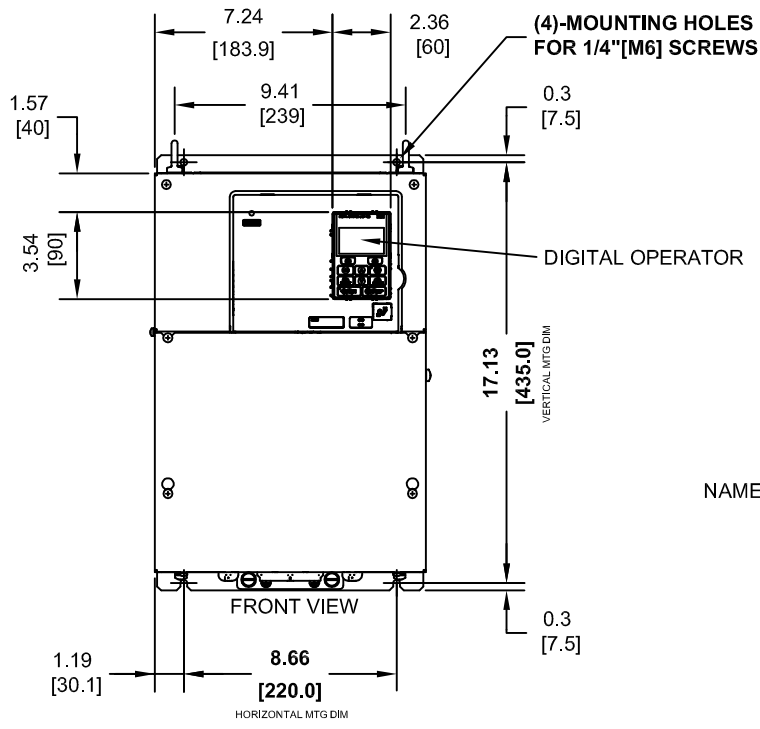
(2) EXTERNAL COOLING FANS



LIFTING AND EYEBOLT DETAILS



NOTE:
SPREADER BAR REQUIRED TO AVOID DAMAGE DURING LIFTING



OPTIONAL CAPACITOR COVER
WHEN USING AN EXTERNAL MOUNT HEATSINK, UL COMPLIANCE REQUIRES COVERING EXPOSED CAPACITORS IN THE MAIN CIRCUIT TO PREVENT INJURY. CONSULT MANUAL FOR DETAILS.

MODEL # CIMR-AU	INPUT TYPE	VOLTAGE 3-PHASE (VAC)	OUTPUT CURRENT (A)		WEIGHT LBS (Kg)	HEAT LOSS (W)					
			ND	HD		ND (Fc=2kHz)			HD (Fc=8kHz)		
						INT	EXT	TOT	INT	EXT	TOT
2A0138AXX	6 PULSE	200/240	138	115	55.0 (25)	312	842	1154	250	662	912
4A0072AXX	6 PULSE	380/480	72	60	55.0 (25)	265	605	870	217	484	701
4T0072AXX	12 PULSE		72	60	50.5 (23)	244	588	832	206	477	683
5A0041AXX	6 PULSE	500/600	41	32	55.0 (25)	136	331	467	128	406	534
5A0052AXX	6 PULSE		52	41	55.0 (25)	166	428	594	161	527	688

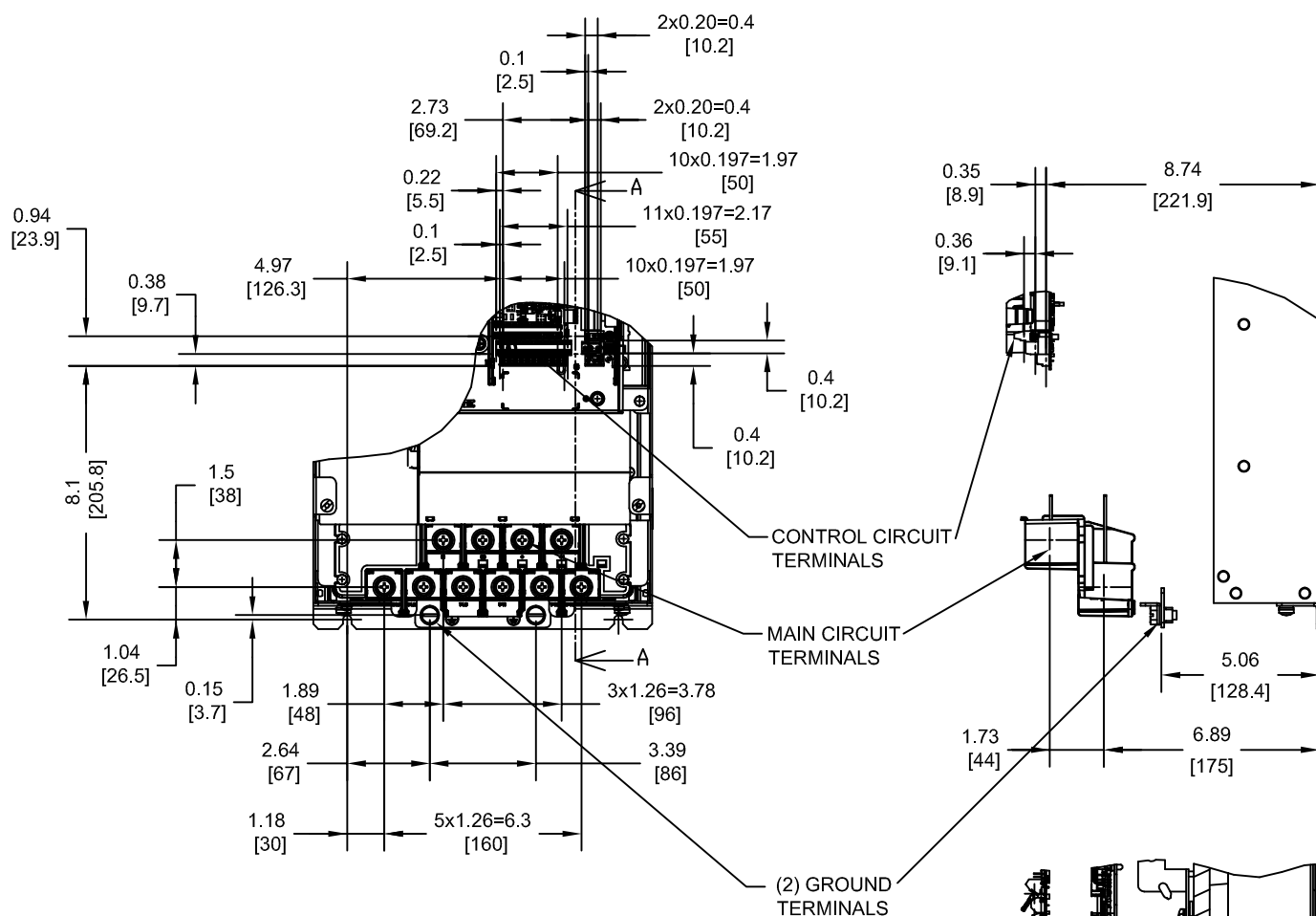
NOTE:
XX DENOTES AA-ZZ

INT=INTERNAL COMPONENTS
EXT=EXTERNAL HEATSINK
TOT=TOTAL

FOR ADDITIONAL DETAILS AND SPECIFICATIONS, CONSULT MANUAL

TOLERANCES / REFERENCES:			DRAWN: J. MATTAS	DATE: 10-25-10	TITLE: A1000 DIMENSION DRAWING FRAME SIZE 8 IP00 ENCLOSURE 2A0138A, 4A0072A, 4T0072A, 5A0041A & 5A0052A
			CHECKED: J. PIOTROWSKI	DATE: 12-14-10	
		THIS DOCUMENT AND INFORMATION CONTAINED IN IT ARE CONFIDENTIAL, AND CANNOT BE COPIED OR DISCLOSED IN WHOLE OR IN PART WITHOUT THE EXPRESS WRITTEN CONSENT OF YASKAWA AMERICA, INC.	TECH: J. CAIRO	DATE: 12-19-10	SIZE: A REVISION: R01 PAGE: 1 of 4
UNITS: IN [mm]	SCALE: 1:8		APPROVED: T. SASADA	DATE: 12-21-10	
		ORIGINAL DESIGN: -	DATE: -		

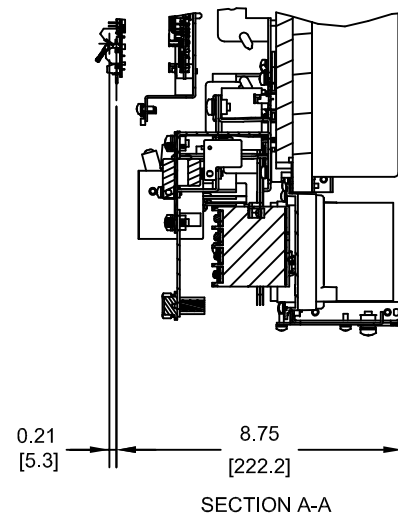
TERMINAL AND WIRING DETAILS (SCALE 1:6)
FOR 6-PULSE INPUT DRIVES



TERMINAL AND WIRE SPECIFICATIONS FOR
MAIN CIRCUIT AND GROUND

MODEL # CIMR-AU	TERMINAL SYMBOL	TERMINAL SCREW	CLAMPING TORQUE lb.in.(N.m.)	WIRE RANGE AWG(mm ²)
2A0138A	R/L1, S/L2, T/L3	M10	159 TO 204 (18 TO 23)	10-3/0 (5.3-85.0)
	U/T1, V/T2, W/T3			
	⊖, ⊕1			
	B1, B2			
	⊕	M8	79.7 TO 97.4 (9 TO 11)	SEE NOTE
4A0072A 5A0041A 5A0052A	R/L1, S/L2, T/L3	M8	79.7 TO 97.4 (9 TO 11)	10-3/0 (5.3-85.0)
	U/T1, V/T2, W/T3			
	⊖, ⊕1			
	B1, B2			
	⊕	M8	79.7 TO 97.4 (9 TO 11)	SEE NOTE

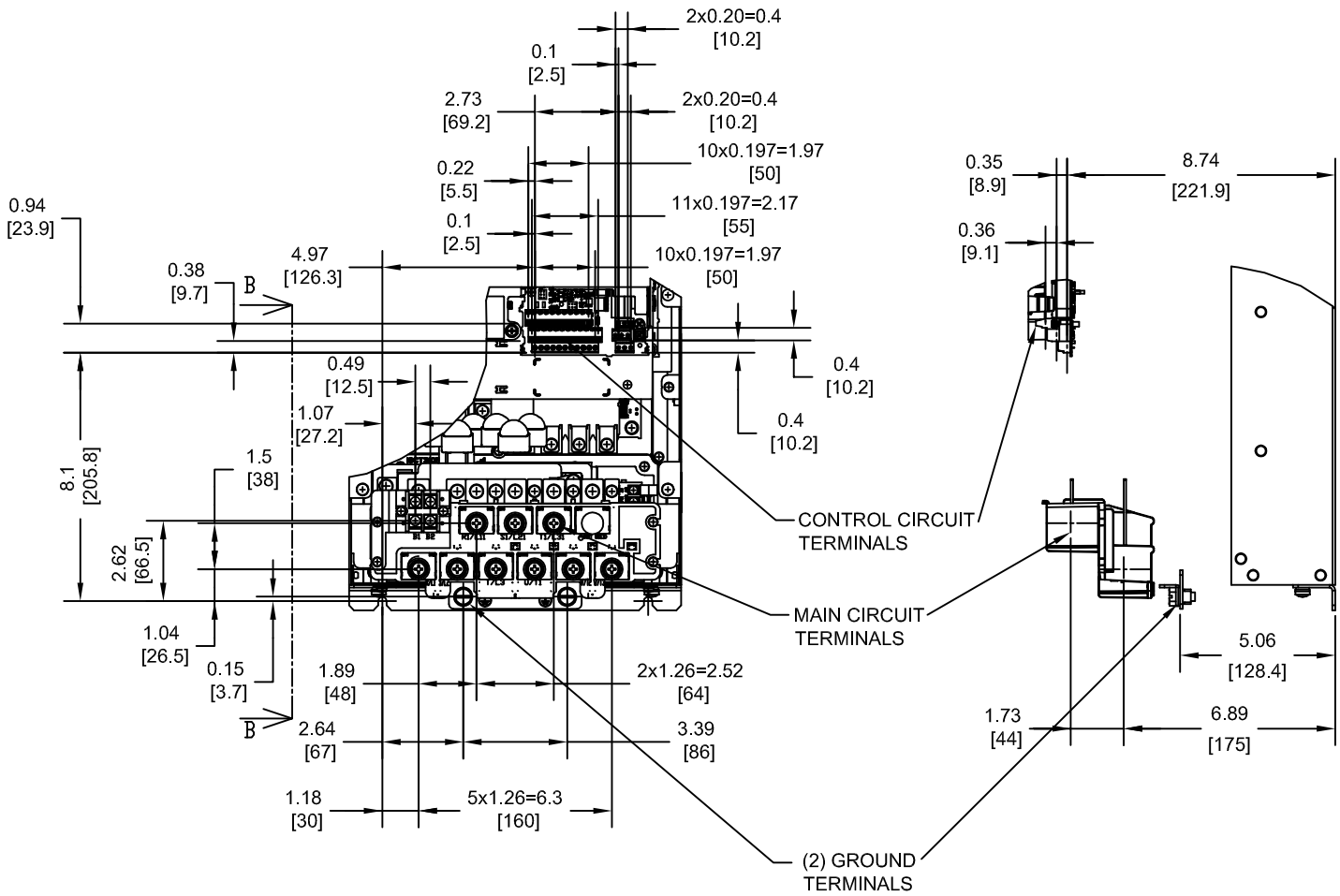
NOTE: REFER TO APPLICABLE CODES FOR PROPER WIRE TYPE AND SIZE



FOR ADDITIONAL DETAILS AND SPECIFICATIONS, CONSULT MANUAL

TOLERANCES / REFERENCES:			DRAWN: J. MATTAS	DATE 10-25-10	TITLE: A1000 DIMENSION DRAWING		
UNITS: IN [mm]			SCALE: BY VIEW	CHECKED: J. PIOTROWSKI	DATE 12-14-10	FRAME SIZE 8	
		THIS DOCUMENT AND INFORMATION CONTAINED IN IT ARE CONFIDENTIAL, AND CANNOT BE COPIED OR DISCLOSED IN WHOLE OR IN PART WITHOUT THE EXPRESS WRITTEN CONSENT OF YASKAWA AMERICA, INC.	TECH: J. CAIRO	DATE 12-19-10	IP00 ENCLOSURE		
			APPROVED: T. SASADA	DATE 12-21-10	SIZE A	REVISION R01	PAGE 2 of 4
			ORIGINAL DESIGN:	DATE -	DRAWING #: DD.A1K.FR8.IP00		

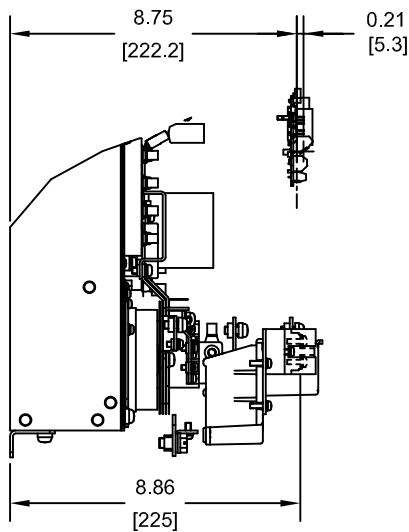
TERMINAL AND WIRING DETAILS (SCALE 1:6)
FOR 12-PULSE INPUT DRIVES



TERMINAL AND WIRE SPECIFICATIONS FOR
MAIN CIRCUIT AND GROUND

MODEL # CIMR-AU	TERMINAL SYMBOL	TERMINAL SCREW	CLAMPING TORQUE lb.in.(N.m.)	WIRE RANGE AWG(mm ²)
4T0072A	R/L1, S/L2, T/L3	M8	79.7 TO 97.4 (9 TO 11)	10-3/0 (5.3-85.0)
	R1/L11, S1/L21, T1/L31			
	U/T1, V/T2, W/T3	M4	10.6 (1.2)	22-10 (0.3-5.3)
	⊕	M8	79.7 TO 97.4 (9 TO 11)	SEE NOTE

NOTE: REFER TO APPLICABLE CODES FOR PROPER WIRE TYPE AND SIZE

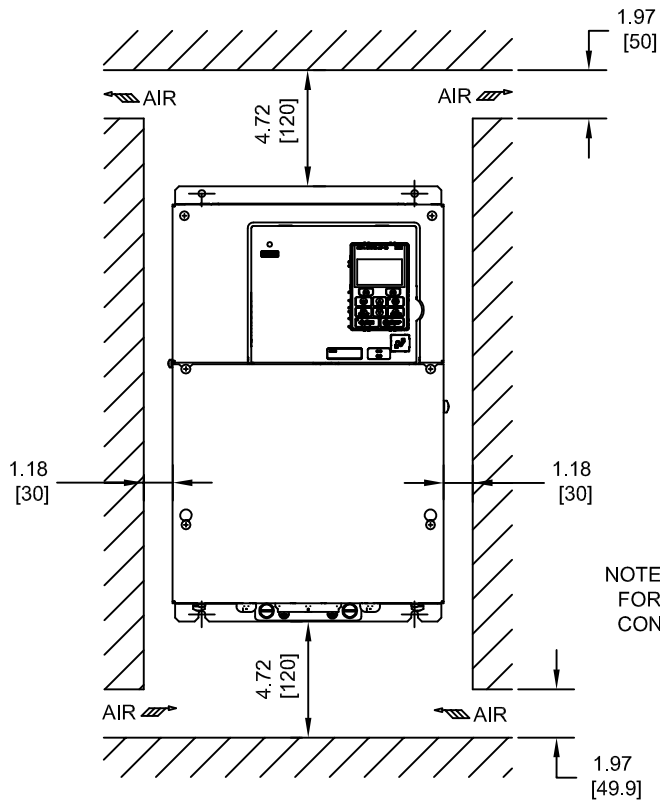


SECTION B-B

FOR ADDITIONAL DETAILS AND SPECIFICATIONS, CONSULT MANUAL

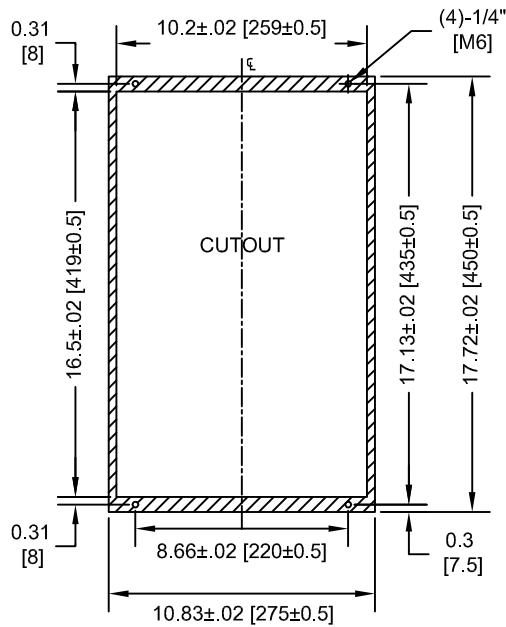
TOLERANCES / REFERENCES:			DRAWN: J. MATTAS	DATE: 10-25-10	TITLE: A1000 DIMENSION DRAWING		
UNITS: IN [mm]			SCALE: BY VIEW	CHECKED: J. PIOTROWSKI	DATE: 12-14-10	FRAME SIZE 8 IP00 ENCLOSURE	
THIS DOCUMENT AND INFORMATION CONTAINED IN IT ARE CONFIDENTIAL, AND CANNOT BE COPIED OR DISCLOSED IN WHOLE OR IN PART WITHOUT THE EXPRESS WRITTEN CONSENT OF YASKAWA AMERICA, INC.		TECH: J. CAIRO	DATE: 12-19-10	DATE: 12-21-10	SIZE: A	REVISION: R01	PAGE: 3 of 4
		APPROVED: T. SASADA	ORIGINAL DESIGN: -	DATE: -	DRAWING #: DD.A1K.FR8.IP00		

MINIMUM INSTALLATION CLEARANCES (SCALE 1:8)



NOTE:
FOR SIDE-BY-SIDE MOUNTING
CONSULT MANUAL

PANEL CUTOUT FOR EXTERNAL HEATSINK
MOUNTING CONFIGURATION (SCALE 1:8)



NOTE:
EXPOSED HEATSINK DEPTH
D=3.94" MINUS PANEL THICKNESS

FOR ADDITIONAL DETAILS AND SPECIFICATIONS, CONSULT MANUAL

TOLERANCES / REFERENCES:		<p>YASKAWA</p> <p>THIS DOCUMENT AND INFORMATION CONTAINED IN IT ARE CONFIDENTIAL, AND CANNOT BE COPIED OR DISCLOSED IN WHOLE OR IN PART WITHOUT THE EXPRESS WRITTEN CONSENT OF YASKAWA AMERICA, INC.</p>	DRAWN: J. MATTAS	DATE: 10-25-10	TITLE: A1000 DIMENSION DRAWING FRAME SIZE 8 IP00 ENCLOSURE 2A0138A, 4A0072A, 4T0072A, 5A0041A & 5A0052A
			CHECKED: J. PIOTROWSKI	DATE: 12-14-10	
			TECH: J. CAIRO	DATE: 12-19-10	
			APPROVED: T. SASADA	DATE: 12-21-10	
UNITS: IN [mm]	SCALE: BY VIEW	ORIGINAL DESIGN:	-	DATE:	-
					SIZE: A REVISION: R01 PAGE: 4 of 4
					DRAWING #: DD.A1K.FR8.IP00