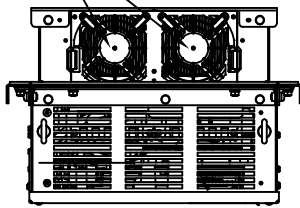
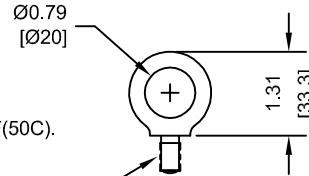


(2) EXTERNAL COOLING FANS

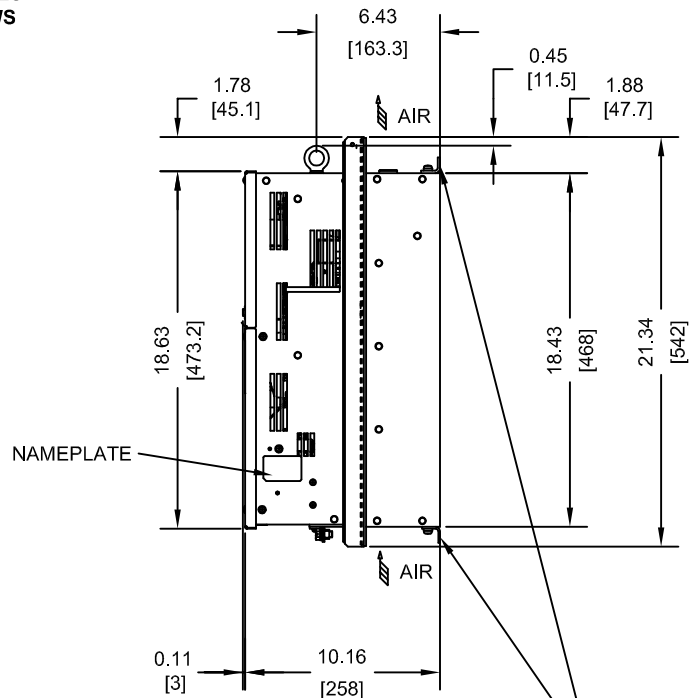
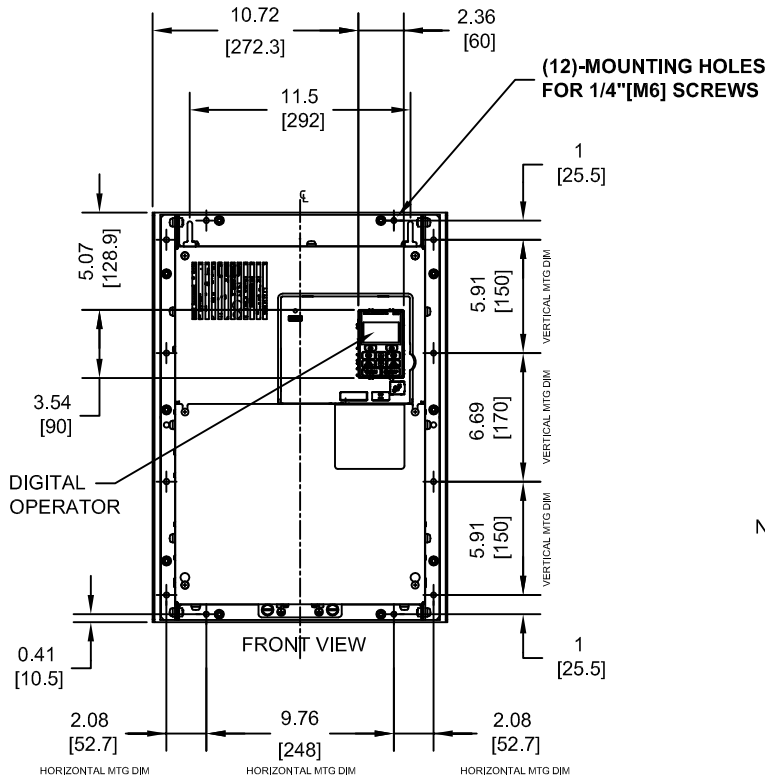


LIFTING AND EYEBOLT DETAILS

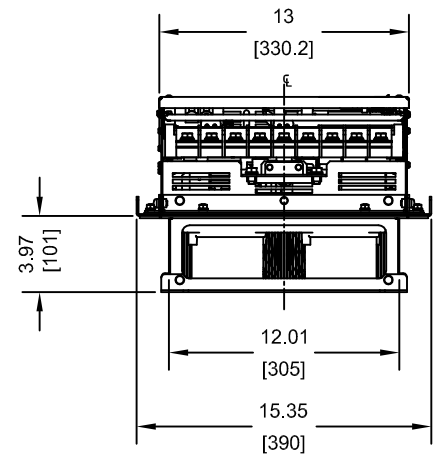


NOTE:
MAXIMUM SURROUNDING AIR
TEMPERATURE RATING IS 122F(50C).

NOTE:
SPREADER BAR REQUIRED TO
AVOID DAMAGE DURING LIFTING



(2)-MOUNTING BRACKETS
USED DURING TRANSPORT ONLY
REMOVE BEFORE INSTALLING



MODEL # CIMR-AU	INPUT TYPE	VOLTAGE 3-PHASE (VAC)	OUTPUT CURRENT (A)		WEIGHT LBS (Kg)	HEAT LOSS (W)					
			ND	HD		ND (Fc=2kHz)			HD (Fc=8kHz)		
						INT	EXT	TOT	INT	EXT	TOT
4A0088UXX	6 PULSE	380/480	88	75	85.8 (39)	308	684	992	254	563	817
4A0103UXX	6 PULSE		103	91	85.8 (39)	357	848	1205	299	723	1022
4T0088UXX	12 PULSE		88	75	77.0 (35)	285	669	954	241	556	797
4T0103UXX	12 PULSE		103	91	77.0 (35)	329	827	1156	285	714	999

NOTE:
XX DENOTES AA-ZZ

INT=INTERNAL COMPONENTS
EXT=EXTERNAL HEATSINK
TOT=TOTAL

FOR ADDITIONAL DETAILS AND SPECIFICATIONS, CONSULT MANUAL

TOLERANCES / REFERENCES:



THIS DOCUMENT AND INFORMATION CONTAINED
IN IT ARE CONFIDENTIAL, AND CANNOT BE
COPIED OR DISCLOSED IN WHOLE OR IN PART
WITHOUT THE EXPRESS WRITTEN CONSENT
OF YASKAWA AMERICA, INC.

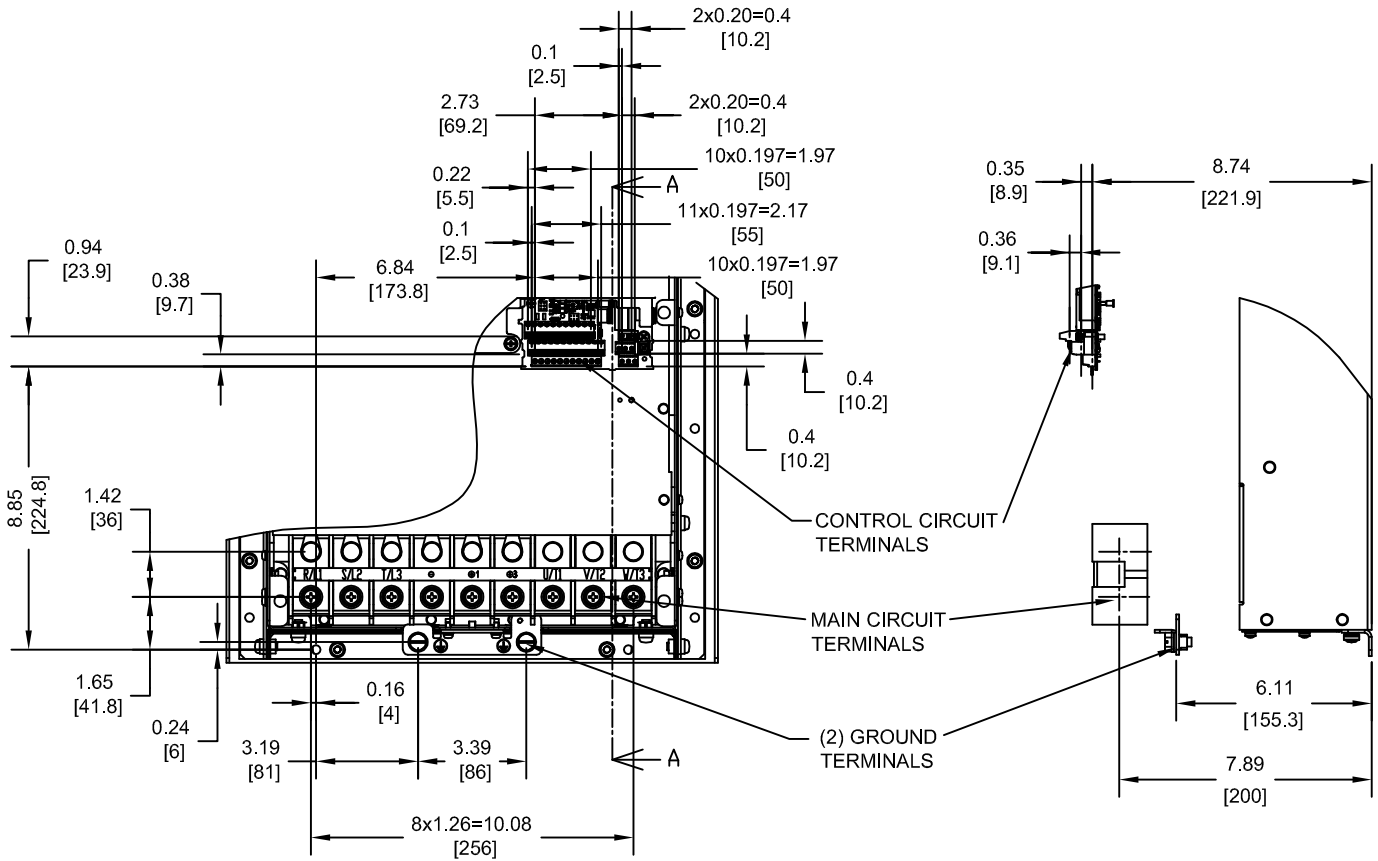
DRAWN: J. MATTAS	DATE 1-6-12
CHECKED: J. PIOTROWSKI	DATE 2-10-12
TECH: J. BORJA	DATE 1-23-12
APPROVED: J. CAIRO	DATE 4-6-12
ORIGINAL DESIGN: -	DATE -

TITLE: A1000 DIMENSION DRAWING FRAME SIZE 9 DESIGNED FOR IP54/TYPE 12 ENCLOSURES 4A0088U, 4A0103U, 4T0088U & 4T0103U		
SIZE A	REVISION R01	PAGE 1 of 4
DRAWING #: DD.A1K.FR9.FLNG		

UNITS:
IN [mm]

SCALE:
1:10

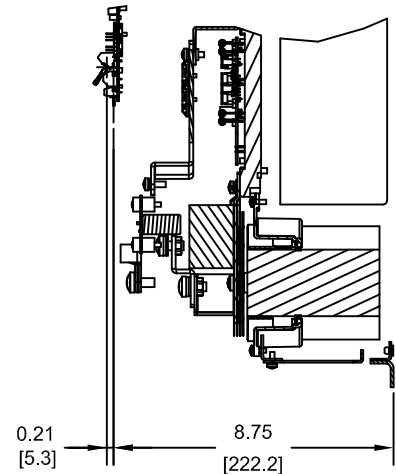
TERMINAL AND WIRING DETAILS (SCALE 1:6)
FOR 6-PULSE INPUT DRIVES



TERMINAL AND WIRE SPECIFICATIONS FOR
MAIN CIRCUIT AND GROUND

MODEL # CIMR-AU	TERMINAL SYMBOL	TERMINAL SCREW	CLAMPING TORQUE lb.in.(N.m.)	WIRE RANGE AWG(mm ²)
4A0088U 4A0103U	R/L1, S/L2, T/L3	M8	79.7 TO 97.4 (9 TO 11)	6-250kcmil (13.3-127)
	U/T1, V/T2, W/T3			
	⊖, ⊕1, ⊕3			
	B1, B2	M8	79.7 TO 97.4 (9 TO 11)	SEE NOTE
⊕				

NOTE: REFER TO APPLICABLE CODES FOR PROPER WIRE TYPE AND SIZE

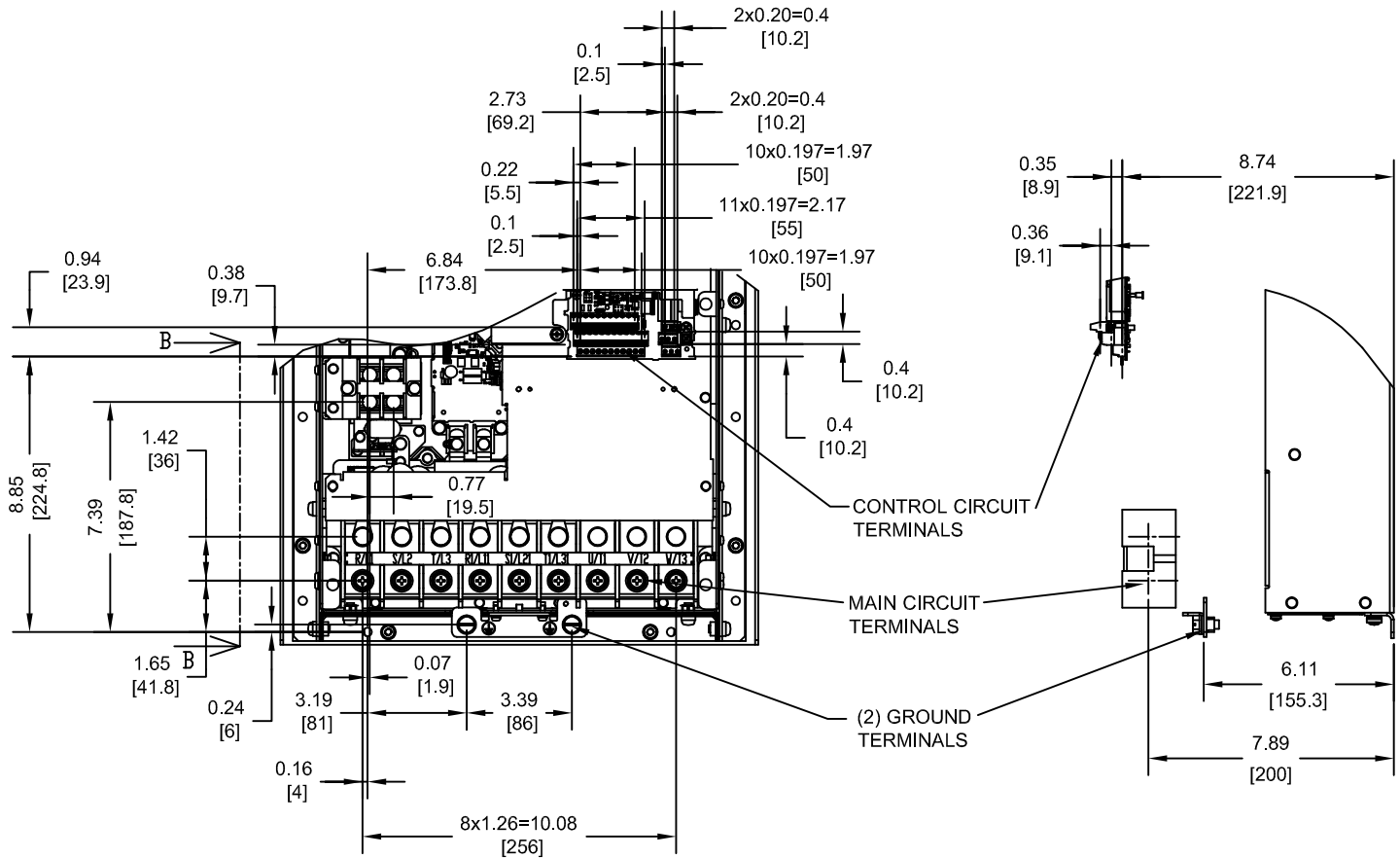


SECTION A-A

FOR ADDITIONAL DETAILS AND SPECIFICATIONS, CONSULT MANUAL

TOLERANCES / REFERENCES:			DRAWN: J. MATTAS DATE: 1-6-12	TITLE: A1000 DIMENSION DRAWING FRAME SIZE 9 DESIGNED FOR IP54/TYPE 12 ENCLOSURES 4A0088U, 4A0103U, 4T0088U & 4T0103U	
			CHECKED: J. PIOTROWSKI DATE: 2-10-12	REVISION: R01 PAGE: 2 of 4	
		THIS DOCUMENT AND INFORMATION CONTAINED IN IT ARE CONFIDENTIAL, AND CANNOT BE COPIED OR DISCLOSED IN WHOLE OR IN PART WITHOUT THE EXPRESS WRITTEN CONSENT OF YASKAWA AMERICA, INC.	TECH: J. BORJA DATE: 1-23-12	DRAWING #: DD.A1K.FR9.FLNG	
UNITS: IN [mm]	SCALE: BY VIEW	APPROVED: J. CAIRO DATE: 4-6-12	ORIGINAL DESIGN: -	DATE: -	

TERMINAL AND WIRING DETAILS (SCALE 1:6)
FOR 12-PULSE INPUT DRIVES



TERMINAL AND WIRE SPECIFICATIONS FOR
MAIN CIRCUIT AND GROUND

MODEL # CIMR-AU	TERMINAL SYMBOL	TERMINAL SCREW	CLAMPING TORQUE lb.in.(N.m.)	WIRE RANGE AWG(mm ²)
4T0088U 4T0103U	R/L1, S/L2, T/L3	M8	79.7 TO 97.4 (9 TO 11)	6-250kcmil (13.3-127)
	R1/L11, S1/L21, T1/L31			
	U/T1, V/T2, W/T3	M6	22.1 TO 26.6 (2.5 TO 3.0)	22-1/0 (0.3-53.5)
	B1, B2			
	⊕	M8	79.7 TO 97.4 (9 TO 11)	SEE NOTE

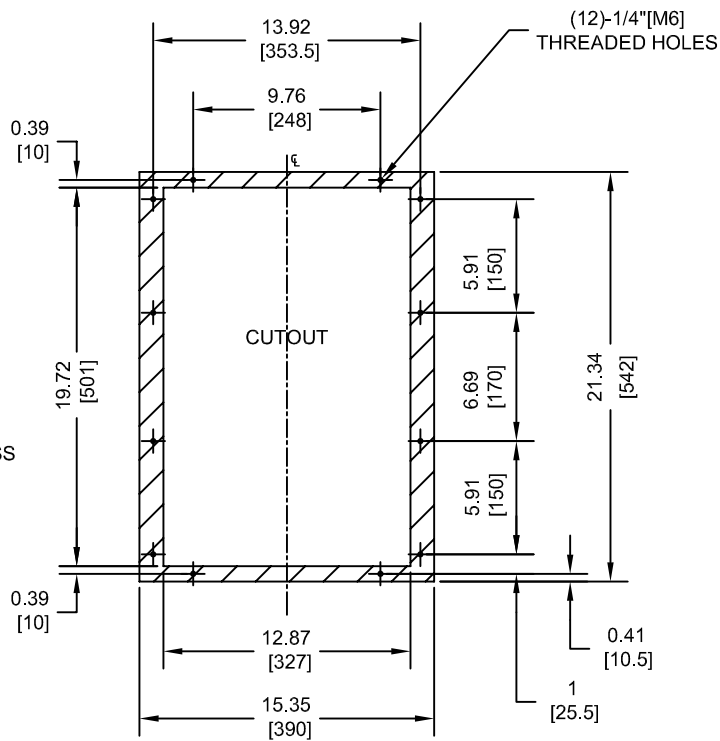
NOTE: REFER TO APPLICABLE CODES FOR PROPER WIRE TYPE AND SIZE

SECTION B-B

FOR ADDITIONAL DETAILS AND SPECIFICATIONS, CONSULT MANUAL

TOLERANCES / REFERENCES:			DRAWN: J. MATTAS DATE: 1-6-12	TITLE: A1000 DIMENSION DRAWING FRAME SIZE 9 DESIGNED FOR IP54/TYPE 12 ENCLOSURES 4A0088U, 4A0103U, 4T0088U & 4T0103U		
THIS DOCUMENT AND INFORMATION CONTAINED IN IT ARE CONFIDENTIAL, AND CANNOT BE COPIED OR DISCLOSED IN WHOLE OR IN PART WITHOUT THE EXPRESS WRITTEN CONSENT OF YASKAWA AMERICA, INC.			CHECKED: J. PIOTROWSKI DATE: 2-10-12	DATE: 1-23-12	SIZE: A	REVISION: R01
UNITS: IN [mm]	SCALE: BY VIEW	APPROVED: J. CAIRO DATE: 4-6-12	ORIGINAL DESIGN: -	DATE: -	DRAWING #: DD.A1K.FR9.FLNG	

PANEL CUTOUT (SCALE 1:10)



NOTES:

- CUTOUT TOLERANCES:
+/- 0.02IN (0.5MM)
- EXPOSED HEATSINK DEPTH
D=3.97" MINUS PANEL THICKNESS
- MIN. RECOMMENDED PANEL
THICKNESS: 12 GA

FOR ADDITIONAL DETAILS AND SPECIFICATIONS, CONSULT MANUAL

TOLERANCES / REFERENCES:		<p>YASKAWA</p> <p><i>THIS DOCUMENT AND INFORMATION CONTAINED IN IT ARE CONFIDENTIAL, AND CANNOT BE COPIED OR DISCLOSED IN WHOLE OR IN PART WITHOUT THE EXPRESS WRITTEN CONSENT OF YASKAWA AMERICA, INC.</i></p>	DRAWN: J. MATTAS DATE: 1-6-12	DATE: 1-6-12	TITLE: A1000 DIMENSION DRAWING FRAME SIZE 9 DESIGNED FOR IP54/TYPE 12 ENCLOSURES 4A0088U, 4A0103U, 4T0088U & 4T0103U
			CHECKED: J. PIOTROWSKI DATE: 2-10-12	DATE: 2-10-12	
			TECH: J. BORJA DATE: 1-23-12	DATE: 1-23-12	
			APPROVED: J. CAIRO DATE: 4-6-12	DATE: 4-6-12	
			ORIGINAL DESIGN: -	DATE: -	
UNITS: IN [mm]	SCALE: BY VIEW				DRAWING #: DD.A1K.FR9.FLNG