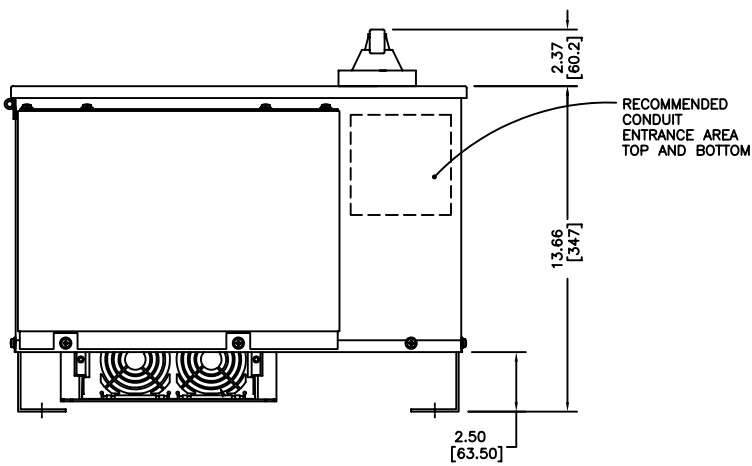
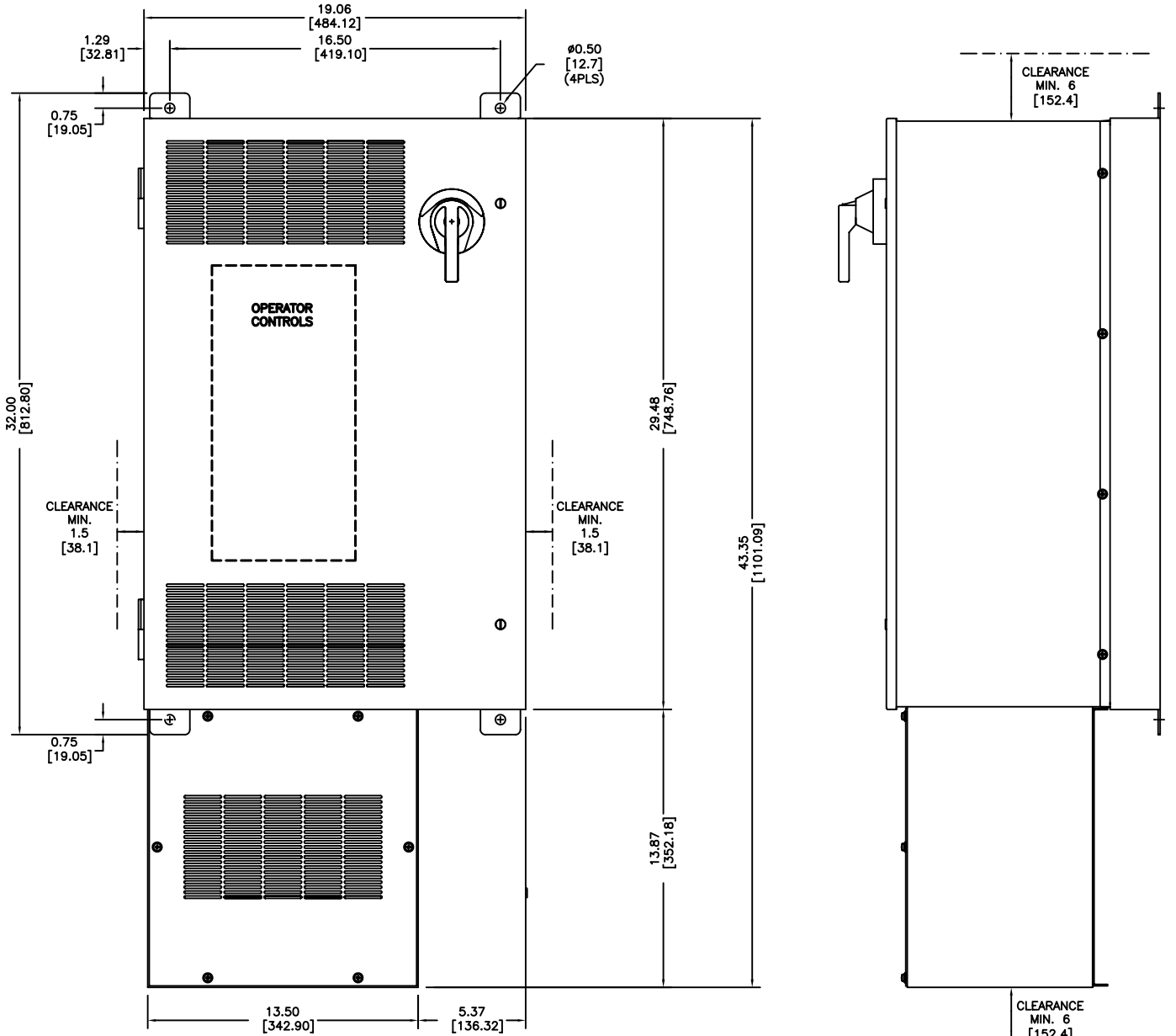


FOR REFERENCE ONLY UNLESS PROPERLY ENDORSED



PROJECT NAME: _____
 SYSTEM/TAG # _____
 MODEL # _____
 HP: _____
 AMPS: _____
 VOLTS: _____
 WEIGHT: _____

- NOTES:
- BLOWER ENCLOSURE INCLUDING FANS AND FILTERS ARE SAME DIMENSIONS AS ABOVE.
 - DIMENSIONS ARE IN INCHES AND [MM]

<p>YASKAWA A World of Automation Solutions™</p> <p><i>THIS DOCUMENT AND INFORMATION CONTAINED IN IT ARE CONFIDENTIAL, AND CANNOT BE COPIED OR DISCLOSED IN WHOLE OR IN PART WITHOUT THE EXPRESS WRITTEN CONSENT OF YASKAWA ELECTRIC AMERICA INC.</i></p>	DRAWN: SR	DATE: 8.20.04	TITLE: DIMENSION DIAGRAM ENCLOSURE	
	CHECKED: DC	DATE: 8.20.04	SIZE: C	REVISION: R00
	APPROVED: JZ	DATE: 8.20.04	PAGE: 01 of 01	
TECH: _____	DATE: _____	DRAWING #: DD.AFD.087.01.AO		
ORIGINAL DESIGN: SR	DATE: 8.20.04			