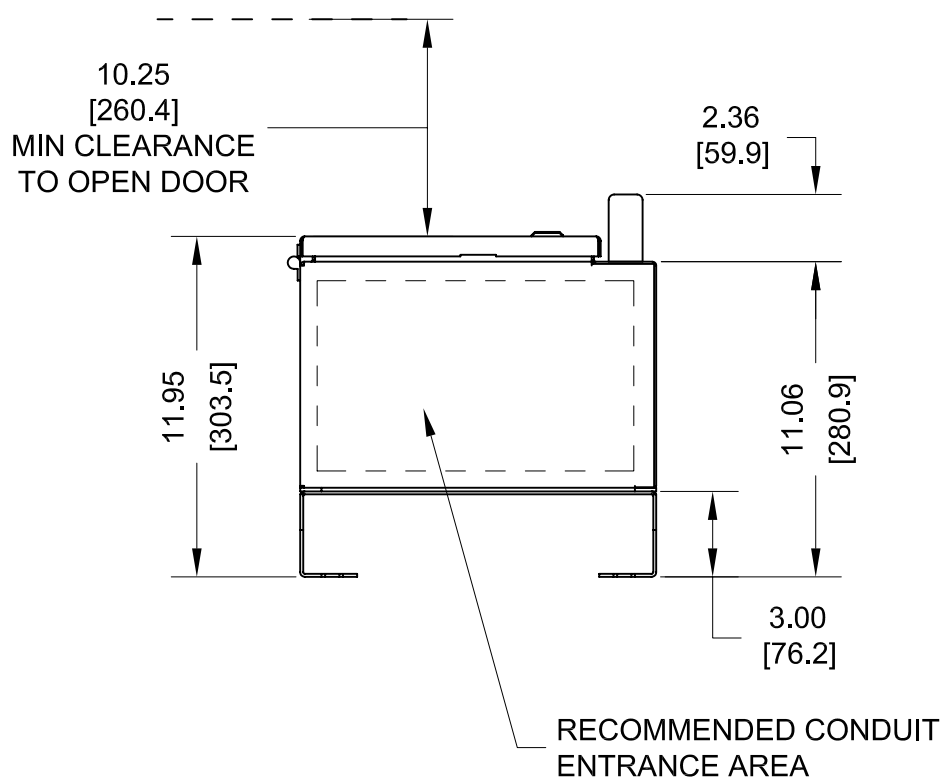
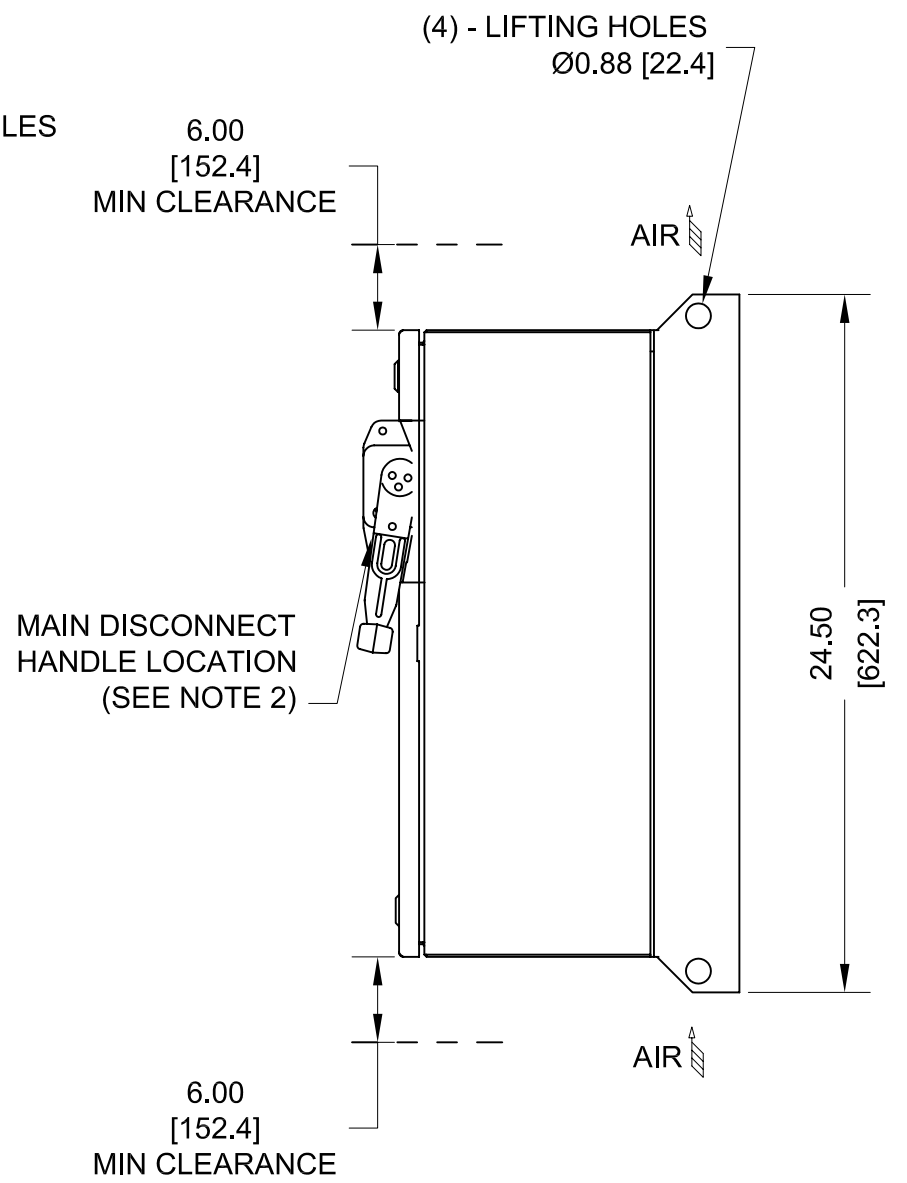
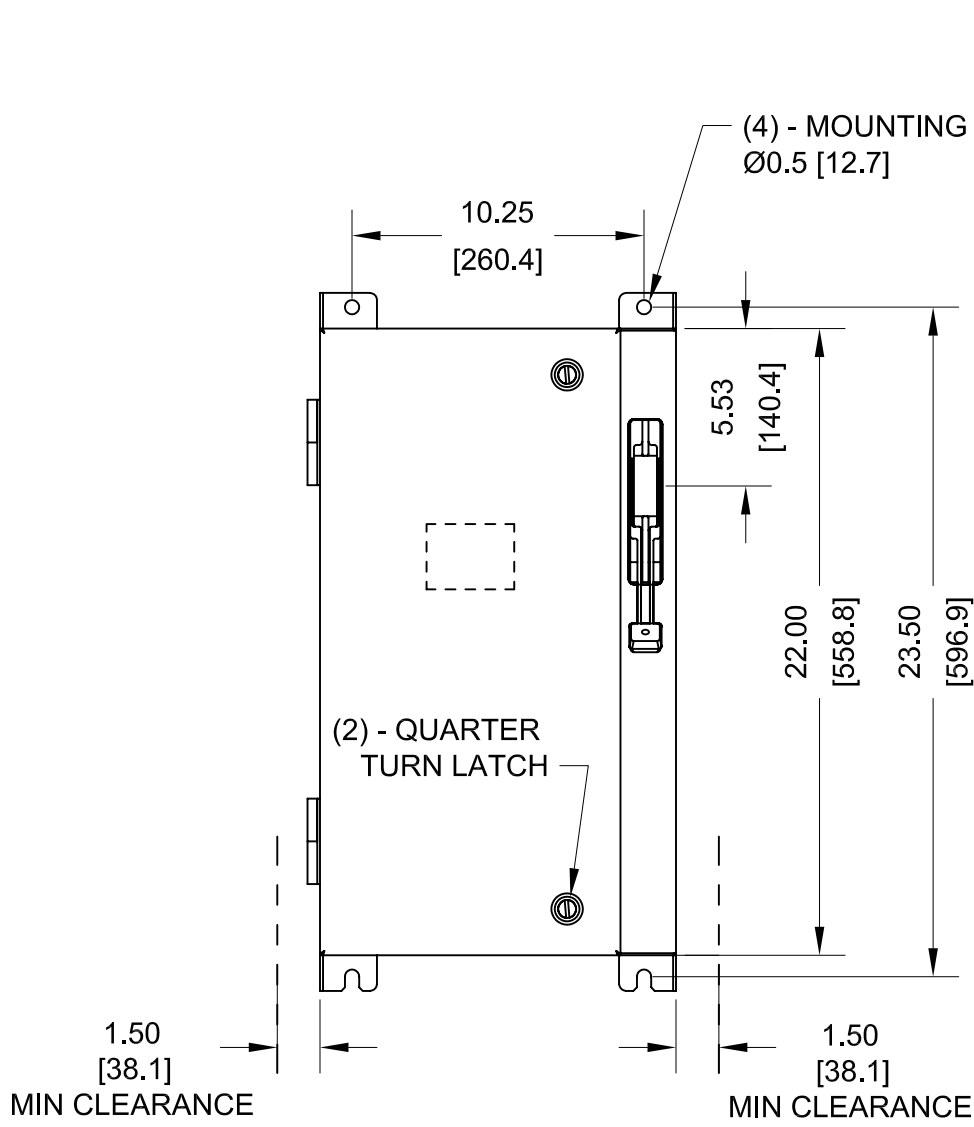
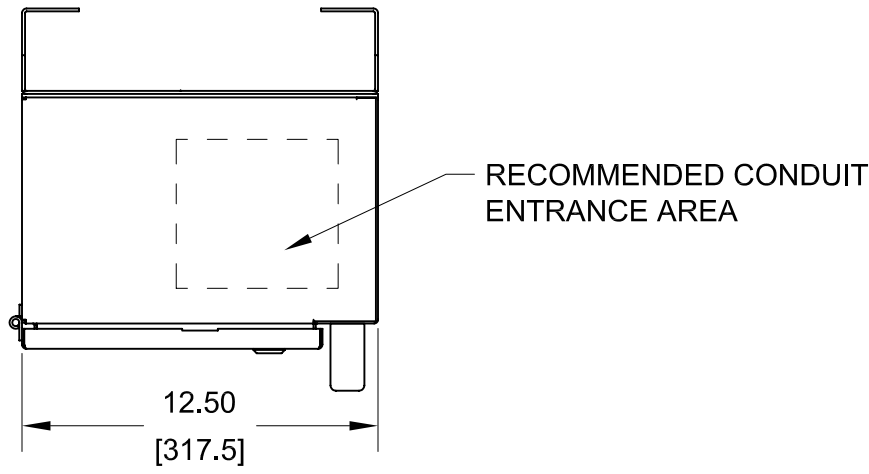


FOR REFERENCE ONLY UNLESS PROPERLY ENDORSED



- NOTES:
- MUST USE TYPE 12 RATED HUBS OR FITTINGS (OR EQUIVALENT) TO MAINTAIN ENCLOSURE RATING
 - SUPPLIED WHEN FLANGE MOUNTED CB/DISCONNECT IS SPECIFIED

PROJECT NAME: _____

SYSTEM/TAG #: _____

MODEL #: _____

HP: _____

AMPS: _____

VOLTS: _____

WEIGHT: _____

FOR ADDITIONAL DETAILS AND SPECIFICATIONS, CONSULT MANUAL

DIMENSIONS ARE IN INCHES AND [MM].

<p>YASKAWA A World of Automation Solutions™</p>	DRAWN: JCM (JES) CHECKED: JZ TECH:	DATE: 3-20-06 DATE: 4.4.06 DATE:	TITLE: DIMENSION DRAWING ENCLOSURE 22 H X 12.5 W X 12 D NEMA TYPE 1/12, IP54
	APPROVED: JZ ORIGINAL DESIGN: J. MATTAS	DATE: 4.4.06 DATE: 12-5-05	SIZE: B REVISION: R00 PAGE: 01 of 01

THIS DOCUMENT AND INFORMATION CONTAINED IN IT ARE CONFIDENTIAL, AND CANNOT BE COPIED OR DISCLOSED IN WHOLE OR IN PART WITHOUT THE EXPRESS WRITTEN CONSENT OF YASKAWA ELECTRIC AMERICA INC.