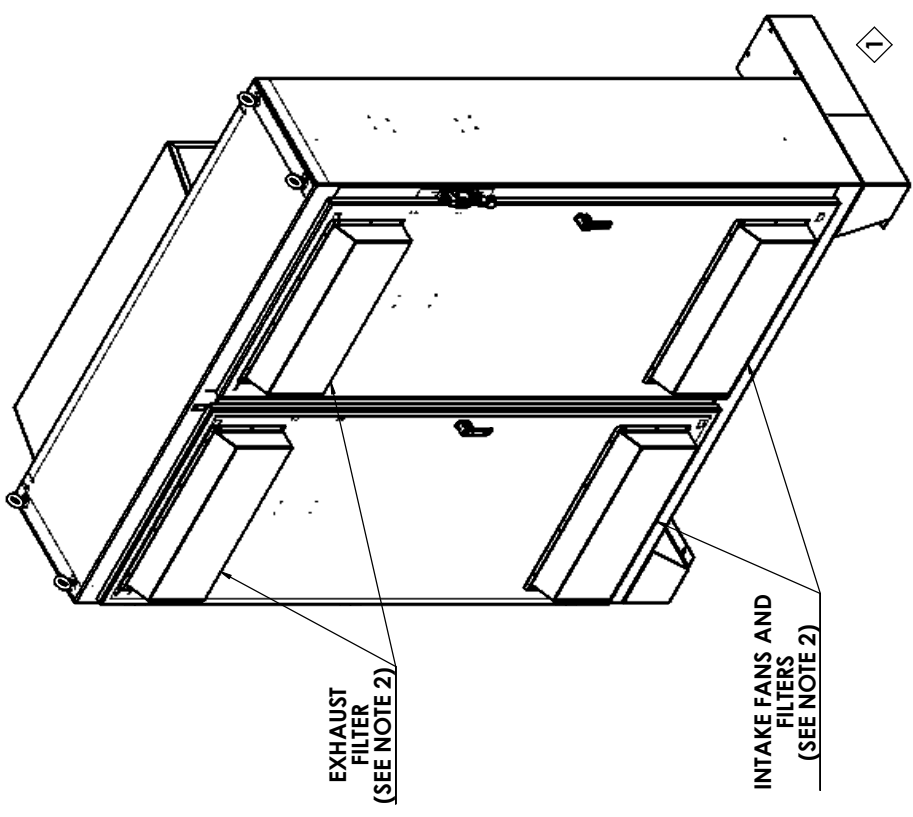
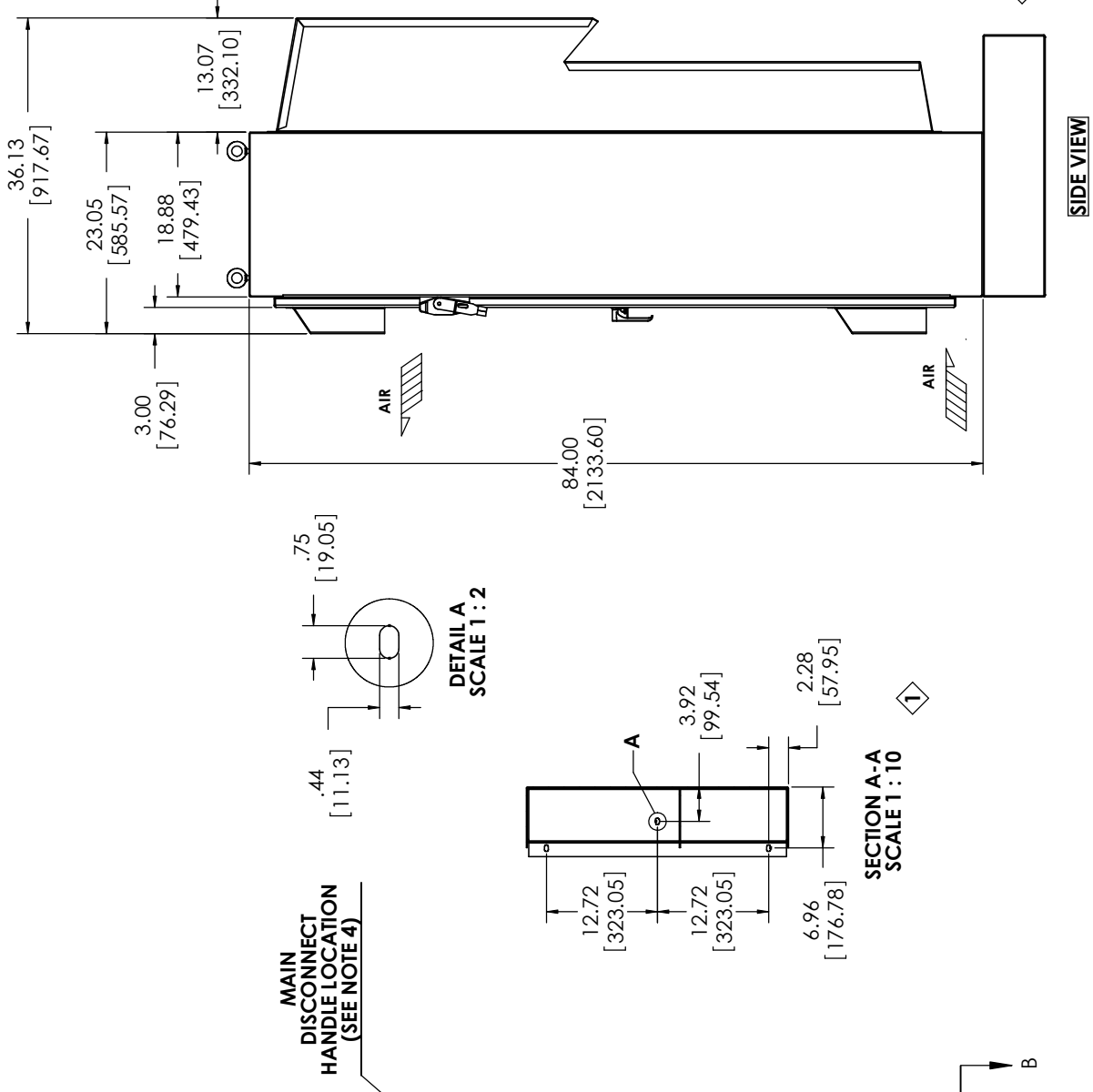
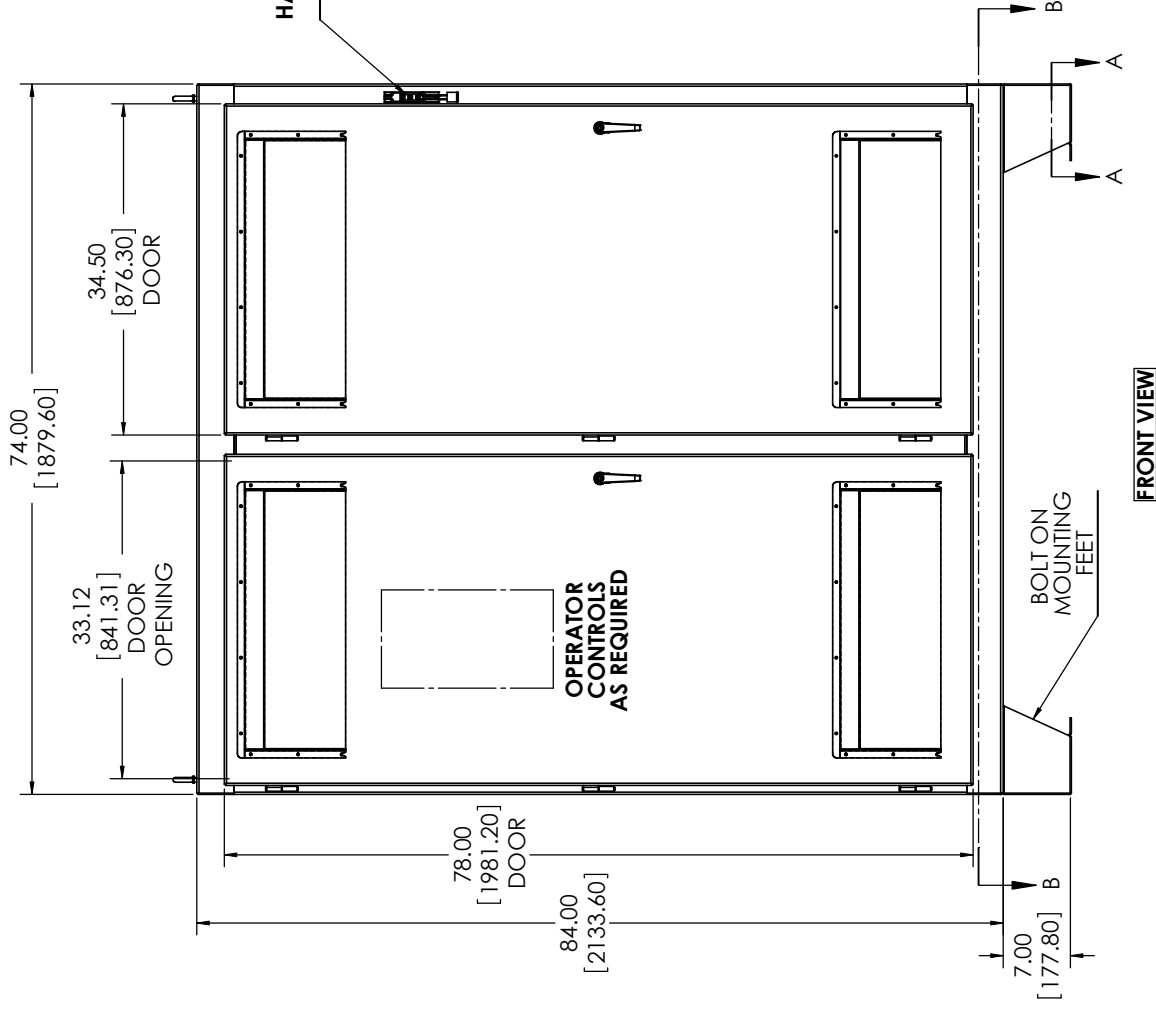
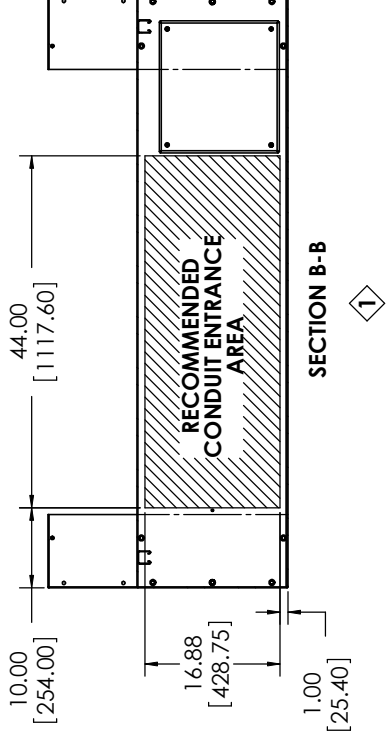
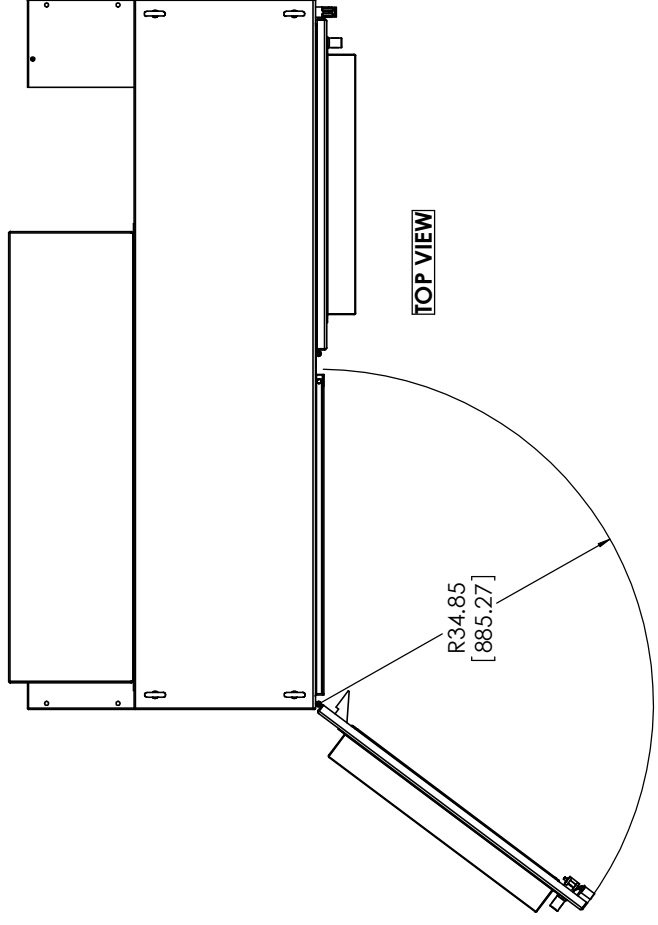


FOR REFERENCE ONLY UNLESS PROPERLY ENDORSED
FOR ADDITIONAL DETAILS AND SPECIFICATIONS, CONSULT MANUAL



PROJECT NAME: _____

SYSTEM/TAG #: _____

MODEL#: _____

HP: _____

AMPS: _____

VOLTS: _____

WEIGHT: _____

- NOTES:**
1. MUST USE TYPE 3R RATED HUBS OR FITTINGS (OR EQUIVALENT) TO MAINTAIN ENCLOSURE RATING
 2. FANS, FILTERS OR CLOSING PLATES ARE SUPPLIED WHEN OPTION MIX NECESSITATES
 3. DIMENSIONS ARE IN INCHES AND [MILLIMETERS]
 4. SUPPLIED WHEN FLANGE MOUNTED CB/DISCONNECT IS SPECIFIED

YASKAWA	DRAWN: MKK	DATE: 9/26/07	TITLE: OUTLINE DRAWING
THIS DOCUMENT AND INFORMATION CONTAINED HEREIN IS CONFIDENTIAL AND CANNOT BE COPIED OR DISCLOSED IN WHOLE OR IN PART WITHOUT THE EXPRESS WRITTEN CONSENT OF YASKAWA ELECTRIC AMERICA, INC.	CHECKED: DC	DATE: 9/26/07	TYPE 3R DOUBLE DOOR 74 W X 84 H X 18.88 D
	TECH:	DATE: 9/27/07	MATERIAL # NA
	APPROVED: JZ	DATE: 9/27/07	SIZE D
	ORIGINAL DESIGN: MKK	DATE: 9/21/06	REVISION R01
			DRAWING # DD.AFD.190.01
			PAGE 1 OF 1