

- NOTES:
- A. FOR REFERENCE ONLY UNLESS PROPERLY ENDORSED. FOR ADDITIONAL DETAILS AND SPECIFICATIONS, CONSULT FACTORY.
  - B. DIMENSIONS ARE IN INCHES [MILLIMETERS].
  - C. HATCHED AREA INDICATES PERMISSIBLE CONDUIT ENTRANCE AREA.
  - D. FANS, FILTERS, LEG STANDS OR CLOSING PLATES ARE SUPPLIED WHEN OPTION MIX NECESSITATES.
  - E. USE APPROPRIATE TYPE RATED HUBS OR FITTINGS TO MAINTAIN ENCLOSURE RATING.

david\_dahlman Tuesday, May 10, 2016 11:43:23 AM

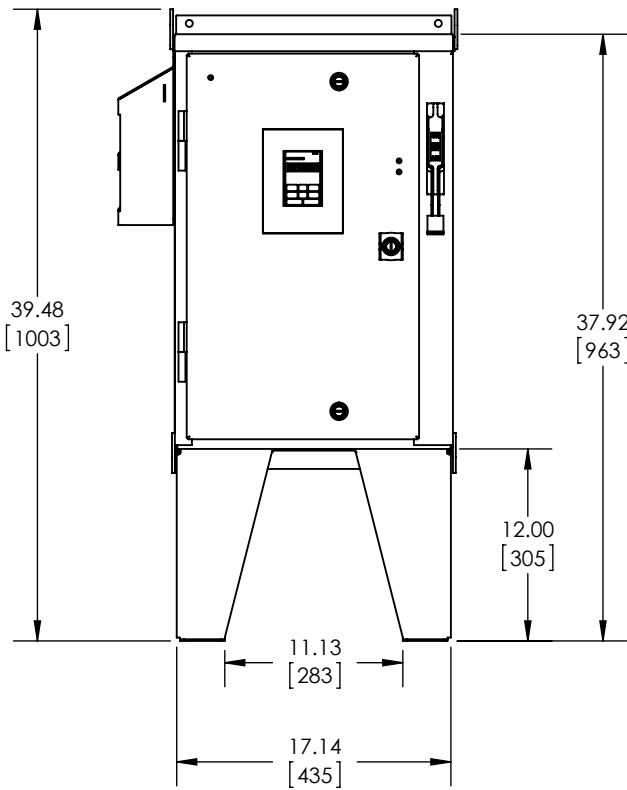
REVISIONS				
REV.	DESCRIPTION	ECR#	DRAWN BY	DATE
03	DIMENSIONS CORRECTED.	6641	DSD	5/10/16
02	ADDED NEW LEG DETAILS.	4493	JDE	9/13/13

**YASKAWA**

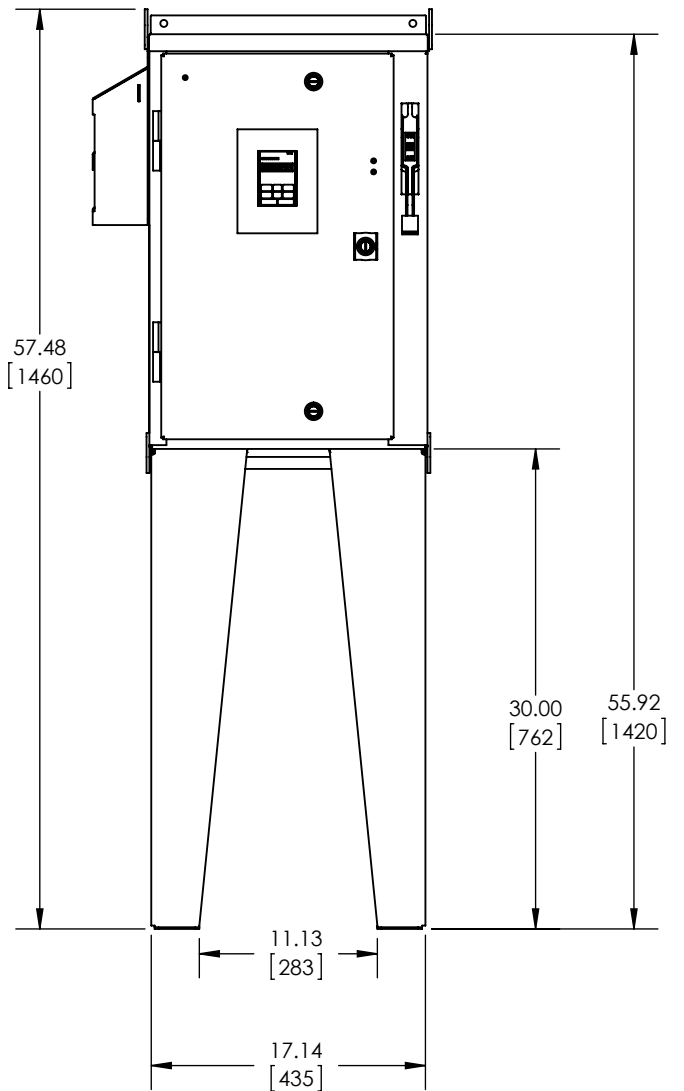
THIS DOCUMENT AND INFORMATION CONTAINED IN IT ARE CONFIDENTIAL, AND CANNOT BE COPIED OR DISCLOSED IN WHOLE OR IN PART WITHOUT THE EXPRESS WRITTEN CONSENT OF YASKAWA AMERICA INC.

DRAWN: D. Packer	DATE 07/01/2012	TITLE: DIMENSION DRAWING, A & P 1000, TYPE 3R, W1		
CHECKED: D. Cmelak	DATE 07/01/2012	MATERIAL# ---		
TECH:	DATE	SIZE A	REVISION 03	PAGE 1 OF 2
APPROVED: K. Flierl	DATE 07/01/2012	DRAWING #: DD.AP1.3R.W1.01		
ORIGINAL DESIGN: D. Packer	DATE 07/01/2012			

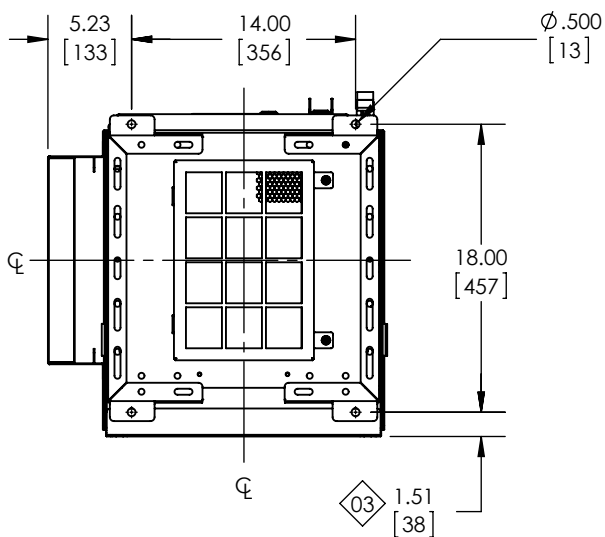
## LEG STAND MOUNTING OPTION DIMENSIONS



**12.0" HIGH LEGS**



**30.0" HIGH LEGS**



**NOTE: DRILL PATTERN SAME FOR 12" AND 30" HIGH LEGS**

david\_dahlman Tuesday, May 10, 2016 11:43:23 AM

<p style="font-size: small; text-align: center;">THIS DOCUMENT AND INFORMATION CONTAINED IN IT ARE CONFIDENTIAL, AND CANNOT BE COPIED OR DISCLOSED IN WHOLE OR IN PART WITHOUT THE EXPRESS WRITTEN CONSENT OF YASKAWA AMERICA INC.</p>	DRAWN:	DATE	<b>TITLE:</b> DIMENSION DRAWING, A & P 1000, TYPE 3R, W1	
	D. Packer	07/01/2012		
	CHECKED:	DATE	<b>MATERIAL#</b> ---	
	D. Cmelak	07/01/2012		
TECH:	DATE	SIZE	REVISION	PAGE
APPROVED:	DATE	A	03	2 OF 2
ORIGINAL DESIGN:	DATE	<b>DRAWING #:</b> DD.AP1.3R.W1.01		
D. Packer	07/01/2012			