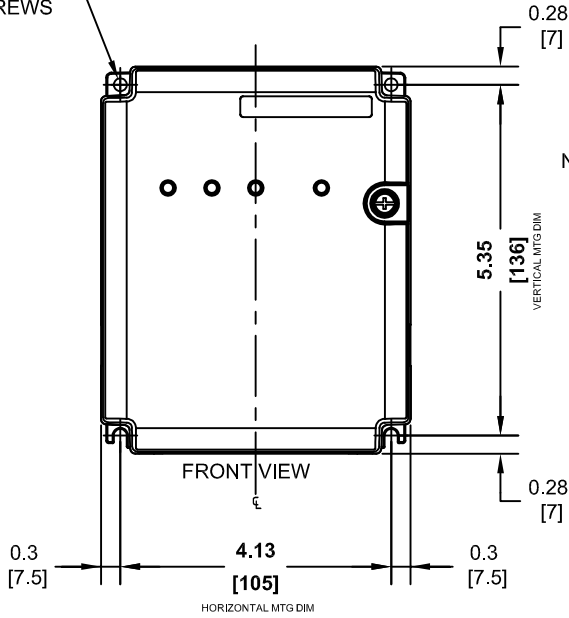
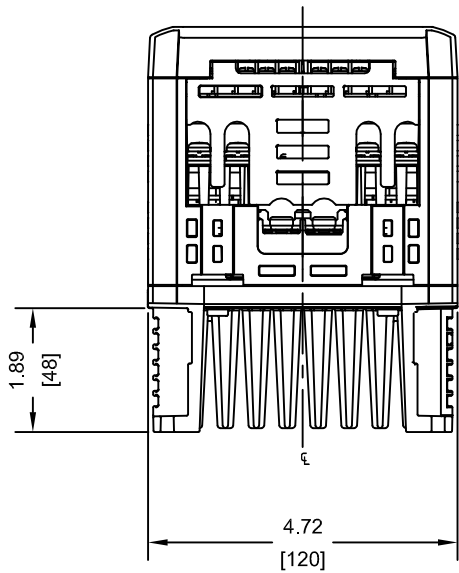
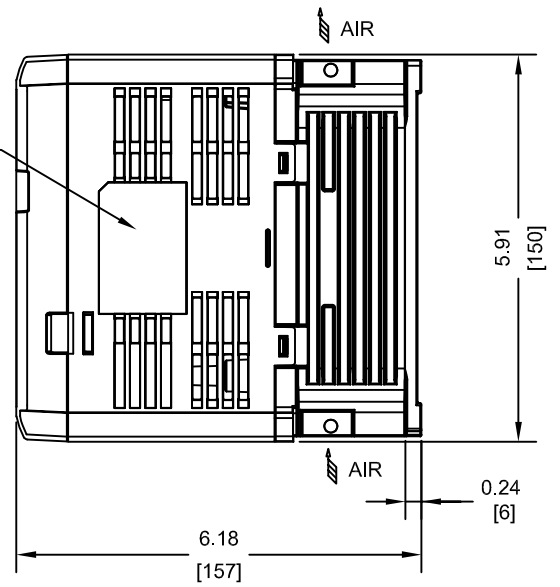


(4)-MOUNTING HOLES FOR #8[M4] SCREWS



NAMEPLATE

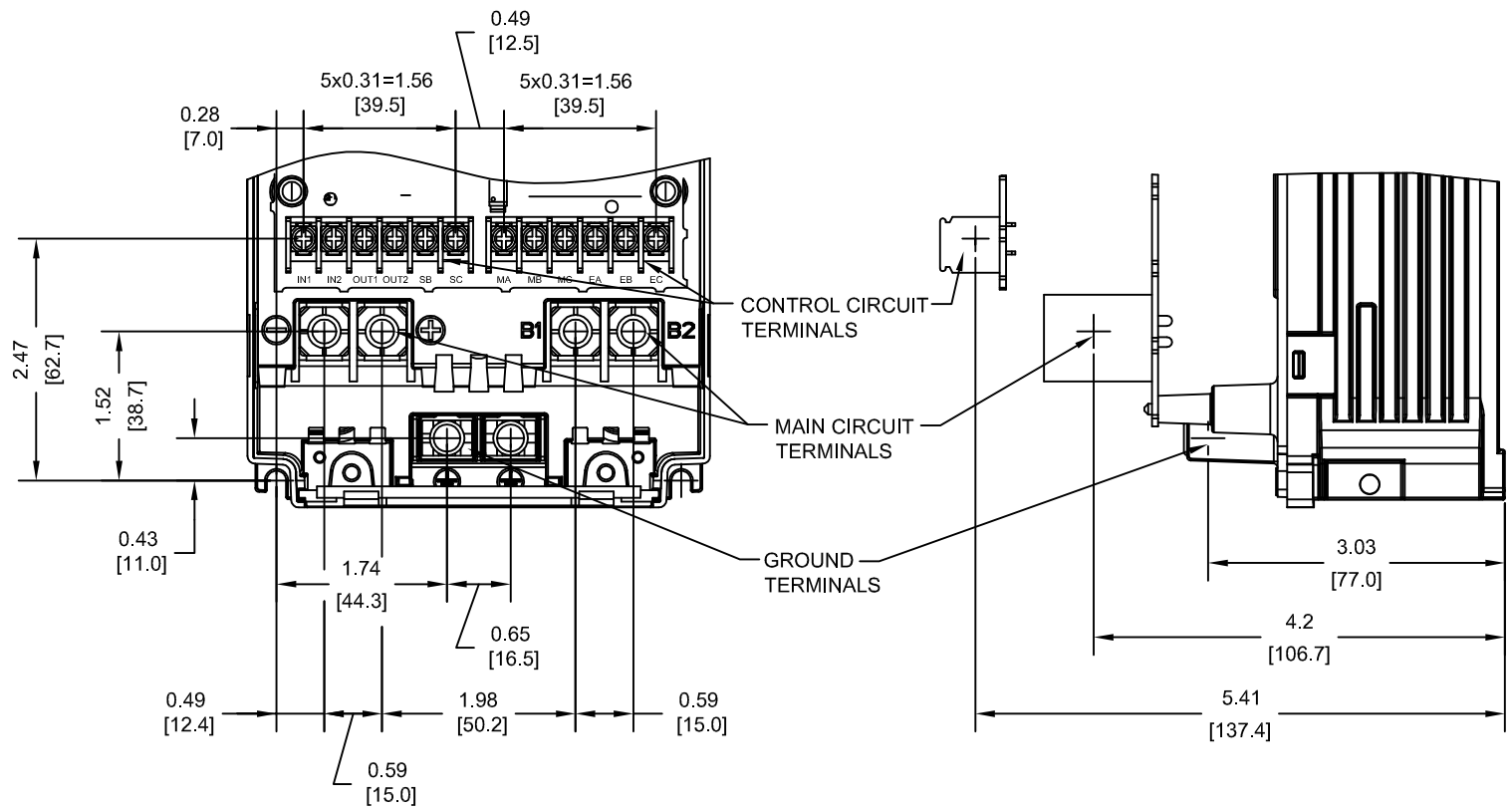


MODEL # CDBR-	BRAKING VOLTAGE LEVEL (VDC)	PEAK DISCHARGE CURRENT (A) (10% ED, 10 s)	CONTINUOUS DISCHARGE CURRENT (A)	WEIGHT LBS (Kg)	HEAT LOSS (W)		
					INT	EXT	TOT
2022D	270-380	60	20	4.4 (2.0)	7	20	27
2037D		80	24	4.4 (2.0)	10	29	38
4030D	630-760	40	15	4.4 (2.0)	6	18	24
4045D		60	18	4.4 (2.0)	9	27	36
5037D	825-950	40	15	4.4 (2.0)	6	18	24

FOR ADDITIONAL DETAILS AND SPECIFICATIONS, CONSULT MANUAL

TOLERANCES / REFERENCES:		YASKAWA	DRAWN: J. MATTAS	DATE 3-30-16	TITLE: CDBR DIMENSION DRAWING		
THIS DOCUMENT AND INFORMATION CONTAINED IN IT ARE CONFIDENTIAL, AND CANNOT BE COPIED OR DISCLOSED IN WHOLE OR IN PART WITHOUT THE EXPRESS WRITTEN CONSENT OF YASKAWA AMERICA, INC.			CHECKED: J. PIOTROWSKI	DATE 4-8-16	FRAME SIZE 1		
			TECH: J. BORJA	DATE 4-12-16	IP20 ENCLOSURE		
			APPROVED: J. CAIRO	DATE 5-11-16	CDBR2022D, 2037D, 4030D, 4045D, 5037D		
UNITS: IN[mm]	SCALE: 1:3	ORIGINAL DESIGN: -	DATE -	SIZE A	REVISION R00	PAGE 1 of 2	
				DRAWING #: DD.CDBR.D.FR1.IP20			

TERMINAL AND WIRING DETAILS (SCALE 1:2)



TERMINAL AND WIRE SPECIFICATIONS FOR
MAIN CIRCUIT AND GROUND

MODEL # CDBR-	TERMINAL SYMBOL	TERMINAL SCREW	CLAMPING TORQUE lb.in.(N.m.)	WIRE RANGE AWG(mm ²)
2022D 2037D 4030D 4045D 5037D	⊕, ⊖, B1, B2	M5	23.9 TO 26.6 (2.7 TO 3.0)	10-8 (5.5-8)
	IN1, IN2, OUT1, OUT2, SB, SC, MA, MB, MC, EA, EB, EC	M3.5	7.1 TO 8.9 (0.8 TO 1.0)	18-14 (0.75-2)
	⊕	M5	17.7 TO 22.1 (2.0 TO 2.5)	8 (8)

NOTE: REFER TO APPLICABLE CODES FOR PROPER WIRE TYPE AND SIZE

FOR ADDITIONAL DETAILS AND SPECIFICATIONS, CONSULT MANUAL

TOLERANCES / REFERENCES:		YASKAWA	DRAWN: J. MATTAS	DATE 3-30-16	TITLE: CDBR DIMENSION DRAWING		
UNITS: IN[mm]			SCALE: BY VIEW	CHECKED: J. PIOTROWSKI	DATE 4-8-16	FRAME SIZE 1 IP20 ENCLOSURE	
		THIS DOCUMENT AND INFORMATION CONTAINED IN IT ARE CONFIDENTIAL, AND CANNOT BE COPIED OR DISCLOSED IN WHOLE OR IN PART WITHOUT THE EXPRESS WRITTEN CONSENT OF YASKAWA AMERICA, INC.	TECH: J. BORJA	DATE 4-12-16	CDBR2022D, 2037D, 4030D, 4045D, 5037D		
			APPROVED: J. CAIRO	DATE 5-11-16	SIZE A	REVISION R00	PAGE 2 of 2
			ORIGINAL DESIGN: -	DATE -	DRAWING #: DD.CDBR.D.FR1.IP20		