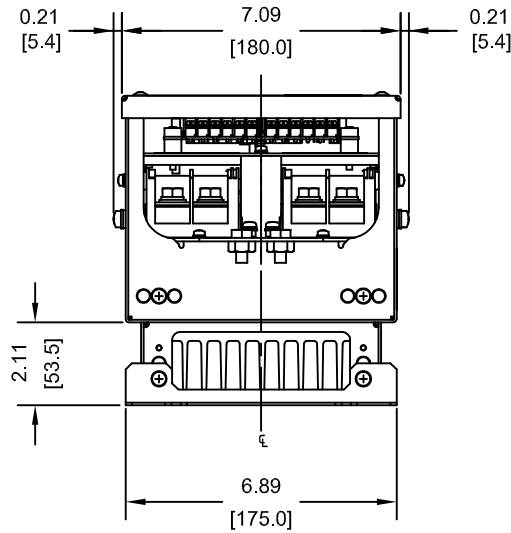
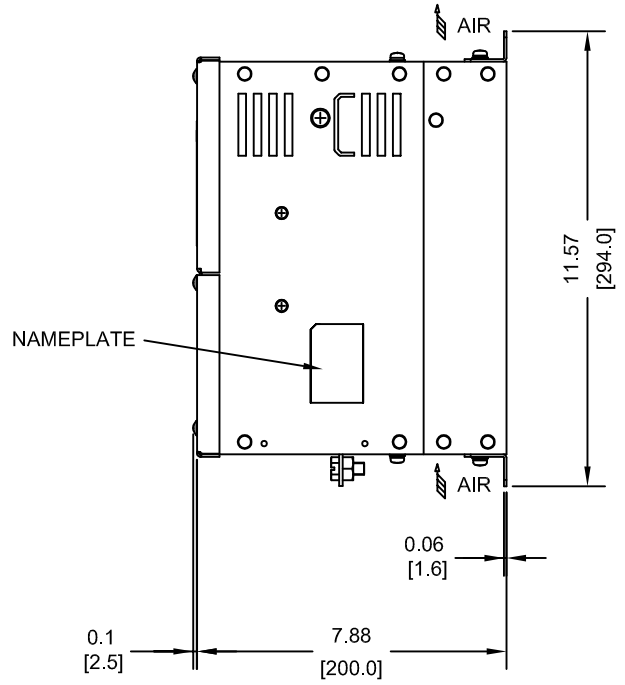
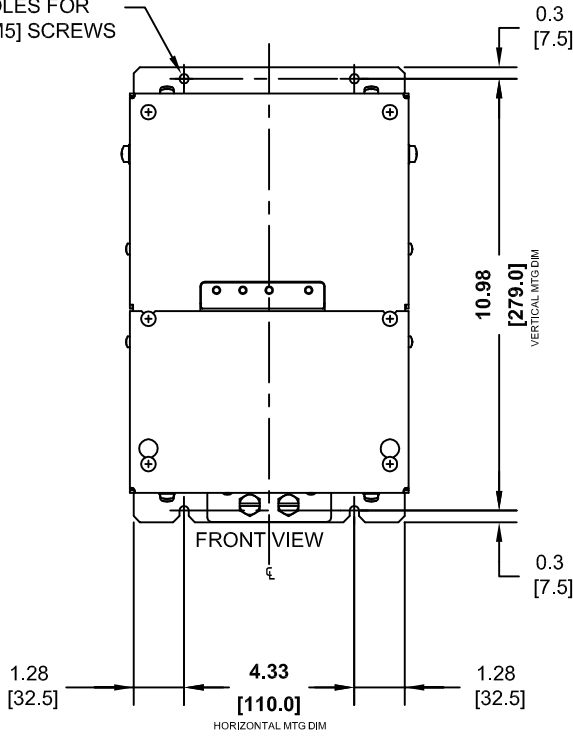


(4)-MOUNTING HOLES FOR #10[M5] SCREWS

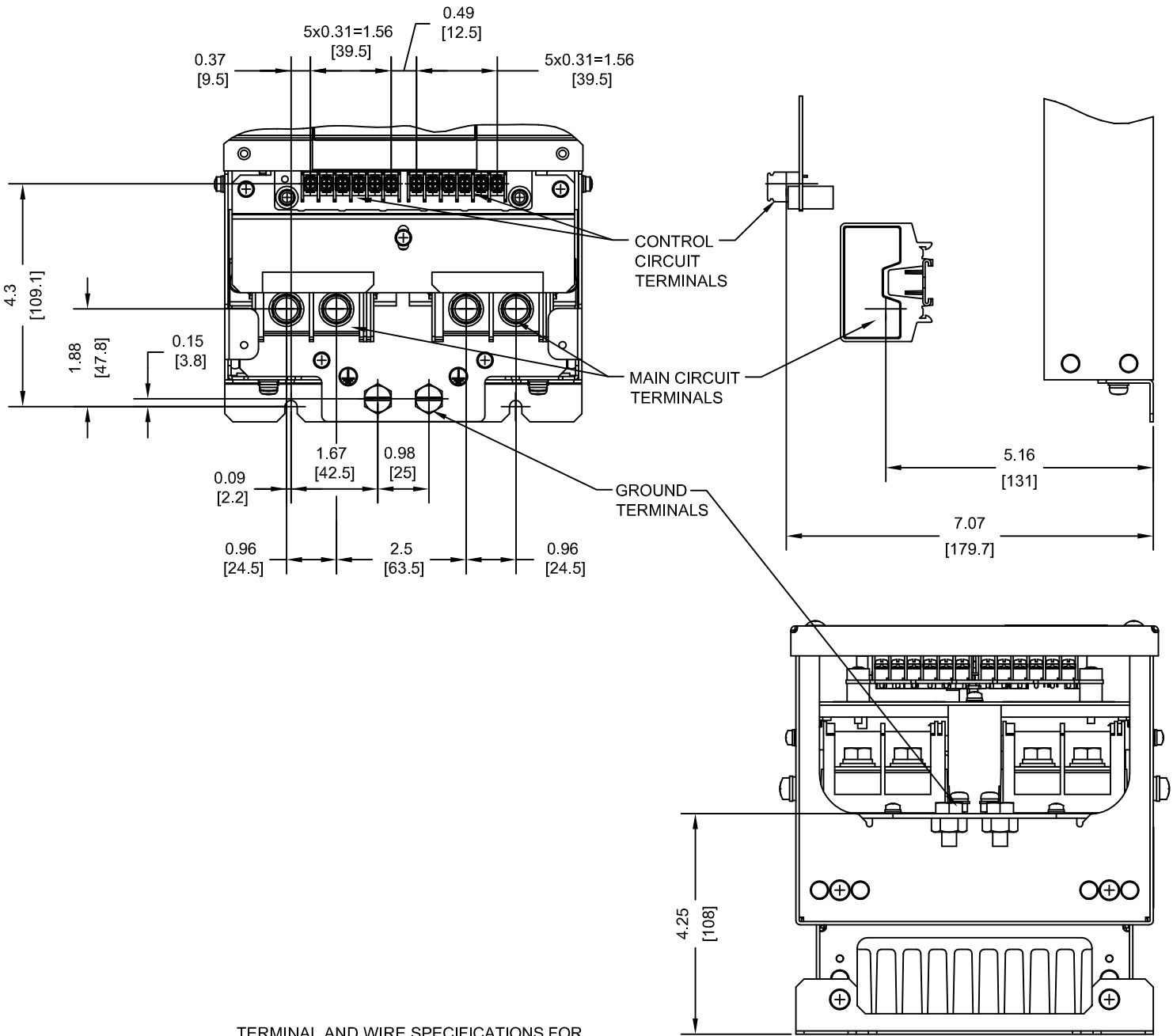


MODEL # CDBR-	BRAKING VOLTAGE LEVEL (VDC)	PEAK DISCHARGE CURRENT (A) (10% ED, 10 s)	CONTINUOUS DISCHARGE CURRENT (A)	WEIGHT LBS (Kg)	HEAT LOSS (W)		
					INT	EXT	TOT
2110D	270-380	250	80	16.5 (7.5)	38	114	152
4220D	630-760	250	80	16.5 (7.5)	38	114	152
5110D	825-950	100	30	16.5 (7.5)	10	29	39
5300D	825-950	250	80	16.5 (7.5)	35	105	140

FOR ADDITIONAL DETAILS AND SPECIFICATIONS, CONSULT MANUAL

TOLERANCES / REFERENCES:		<b>YASKAWA</b>	DRAWN: J. MATTAS	DATE 4-4-16	TITLE: CDBR DIMENSION DRAWING		
THIS DOCUMENT AND INFORMATION CONTAINED IN IT ARE CONFIDENTIAL, AND CANNOT BE COPIED OR DISCLOSED IN WHOLE OR IN PART WITHOUT THE EXPRESS WRITTEN CONSENT OF YASKAWA AMERICA, INC.			CHECKED: J. PIOTROWSKI	DATE 4-8-16	FRAME SIZE 3		
			TECH: J. BORJA	DATE 4-12-16	IP00 ENCLOSURE		
			APPROVED: J. CAIRO	DATE 5-11-16	CDBR2110D, 4220D, 5110D, 5300D		
UNITS: IN[mm]	SCALE: 1:5	ORIGINAL DESIGN: -	DATE -	SIZE A	REVISION R00	PAGE 1 of 2	
				DRAWING #: <b>DD.CDBR.D.FR3.IP00</b>			

TERMINAL AND WIRING DETAILS (SCALE 1:3)



TERMINAL AND WIRE SPECIFICATIONS FOR  
MAIN CIRCUIT AND GROUND

MODEL # CDBR-	TERMINAL SYMBOL	TERMINAL SCREW	CLAMPING TORQUE lb.in.(N.m.)	WIRE RANGE AWG(mm <sup>2</sup> )
2110D	⊕, ⊖, B1, B2	M8	70.8 TO 88.5 (8 TO 10)	3-2 (30-35)
4220D	IN1, IN2, OUT1, OUT2, SB, SC, MA, MB, MC, EA, EB, EC	M3.5	7.1 TO 8.9 (0.8 TO 1.0)	18-14 (0.75-2)
5110D				
5300D	⊕	M8	70.8 TO 88.5 (8 TO 10)	3-2 (30-35)

NOTE: REFER TO APPLICABLE CODES FOR PROPER WIRE TYPE AND SIZE

FOR ADDITIONAL DETAILS AND SPECIFICATIONS, CONSULT MANUAL

TOLERANCES / REFERENCES:		<b>YASKAWA</b>	DRAWN: J. MATTAS	DATE 4-4-16	TITLE: CDBR DIMENSION DRAWING		
			CHECKED: J. PIOTROWSKI	DATE 4-8-16	FRAME SIZE 3		
		THIS DOCUMENT AND INFORMATION CONTAINED IN IT ARE CONFIDENTIAL, AND CANNOT BE COPIED OR DISCLOSED IN WHOLE OR IN PART WITHOUT THE EXPRESS WRITTEN CONSENT OF YASKAWA AMERICA, INC.	TECH: J. BORJA	DATE 4-12-16	IP00 ENCLOSURE		
			APPROVED: J. CAIRO	DATE 5-11-16	CDBR2110D, 4220D, 5110D, 5300D		
UNITS: IN[mm]	SCALE: BY VIEW	ORIGINAL DESIGN: -	DATE -	SIZE A	REVISION R00	PAGE 2 of 2	
			DRAWING #: <b>DD.CDBR.D.FR3.IP00</b>				