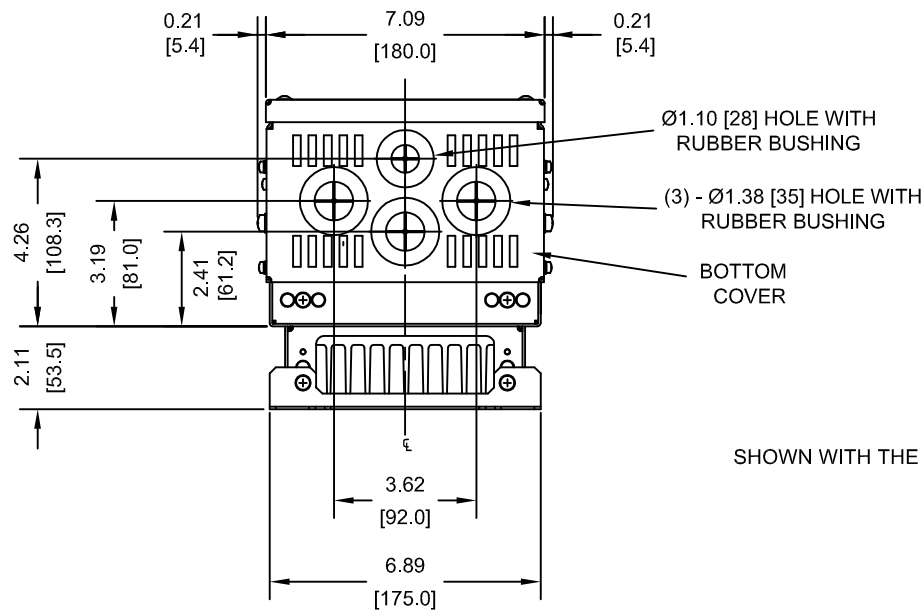
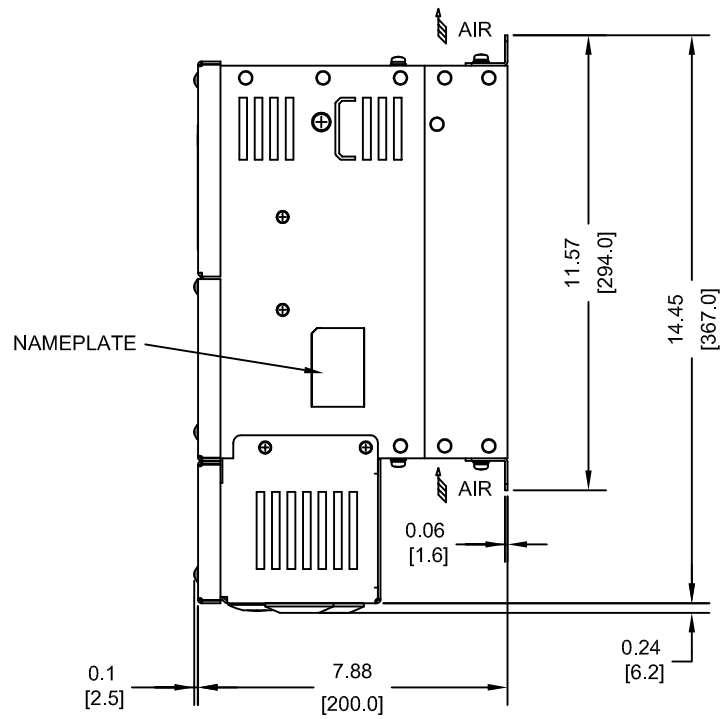
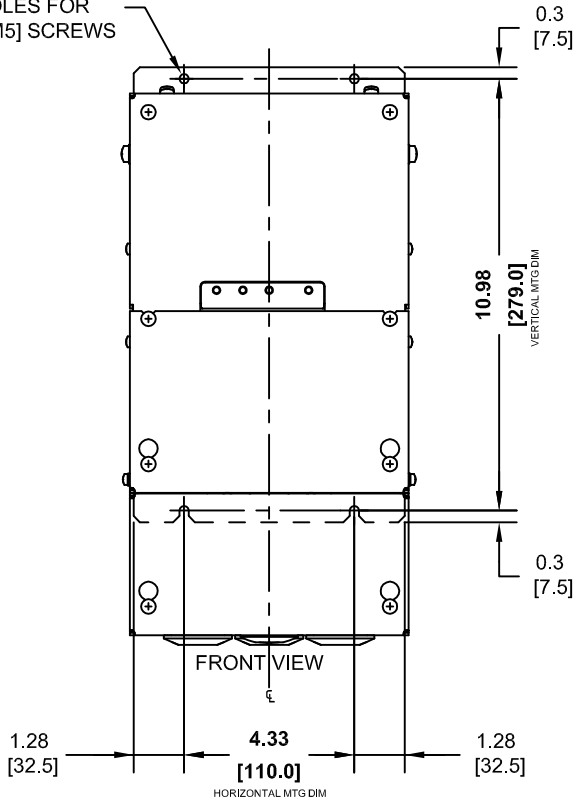


(4)-MOUNTING HOLES FOR #10[M5] SCREWS



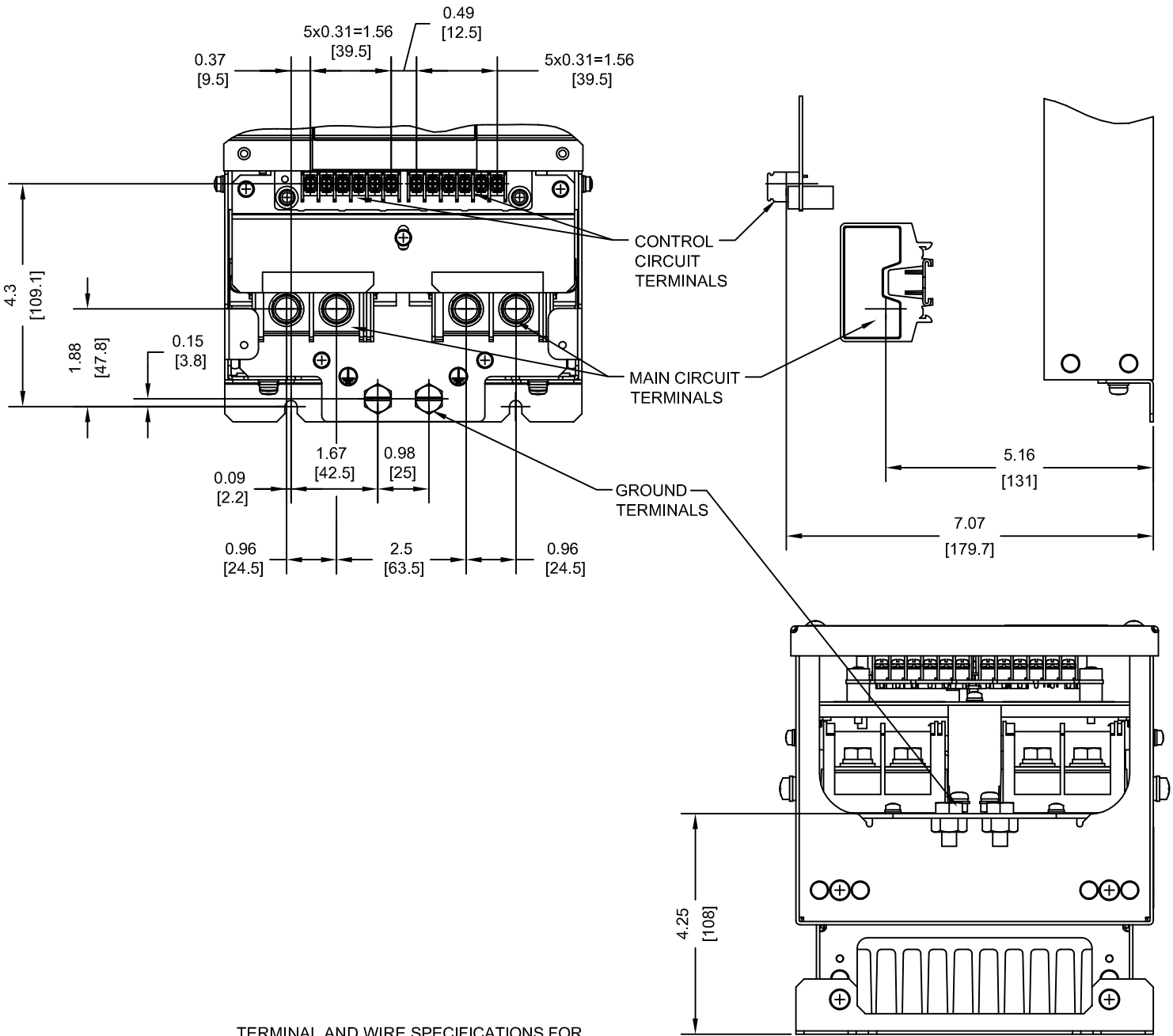
SHOWN WITH THE NEMA TYPE 1 OPTION KIT INSTALLED

MODEL # CDBR-	BRAKING VOLTAGE LEVEL (VDC)	PEAK DISCHARGE CURRENT (A) (10% ED, 10 s)	CONTINUOUS DISCHARGE CURRENT (A)	WEIGHT LBS (Kg)	HEAT LOSS (W)		
					INT	EXT	TOT
2110D	270-380	250	80	18.3 (8.3)	38	114	152
4220D	630-760	250	80	18.3 (8.3)	38	114	152
5110D	825-950	100	30	18.3 (8.3)	10	29	39
5300D	825-950	250	80	18.3 (8.3)	35	105	140

FOR ADDITIONAL DETAILS AND SPECIFICATIONS, CONSULT MANUAL

TOLERANCES / REFERENCES:		<h1>YASKAWA</h1> <p>THIS DOCUMENT AND INFORMATION CONTAINED IN IT ARE CONFIDENTIAL, AND CANNOT BE COPIED OR DISCLOSED IN WHOLE OR IN PART WITHOUT THE EXPRESS WRITTEN CONSENT OF YASKAWA AMERICA, INC.</p>	DRAWN: J. MATTAS CHECKED: J. PIOTROWSKI TECH: J. BORJA APPROVED: J. CAIRO ORIGINAL DESIGN: -	DATE 4-4-16 DATE 4-8-16 DATE 4-12-16 DATE 5-11-16 DATE -	TITLE: CDBR DIMENSION DRAWING FRAME SIZE 3 NEMA TYPE 1 ENCLOSURE CDBR2110D, 4220D, 5110D, 5300D SIZE A REVISION R00 PAGE 1 of 2
UNITS: IN[mm]	SCALE: 1:5		DRAWING #: DD.CDBR.D.FR3.N1		

TERMINAL AND WIRING DETAILS (SCALE 1:3)



TERMINAL AND WIRE SPECIFICATIONS FOR
MAIN CIRCUIT AND GROUND

MODEL # CDBR-	TERMINAL SYMBOL	TERMINAL SCREW	CLAMPING TORQUE lb.in.(N.m.)	WIRE RANGE AWG(mm ²)
2110D	⊕, ⊖, B1, B2	M8	70.8 TO 88.5 (8 TO 10)	3-2 (30-35)
4220D	IN1, IN2, OUT1, OUT2, SB, SC, MA, MB, MC, EA, EB, EC	M3.5	7.1 TO 8.9 (0.8 TO 1.0)	18-14 (0.75-2)
5110D				
5300D	⊕	M8	70.8 TO 88.5 (8 TO 10)	3-2 (30-35)

NOTE: REFER TO APPLICABLE CODES FOR PROPER WIRE TYPE AND SIZE

FOR ADDITIONAL DETAILS AND SPECIFICATIONS, CONSULT MANUAL

TOLERANCES / REFERENCES:		YASKAWA	DRAWN: J. MATTAS	DATE 4-4-16	TITLE: CDBR DIMENSION DRAWING		
			CHECKED: J. PIOTROWSKI	DATE 4-8-16	FRAME SIZE 3		
		THIS DOCUMENT AND INFORMATION CONTAINED IN IT ARE CONFIDENTIAL, AND CANNOT BE COPIED OR DISCLOSED IN WHOLE OR IN PART WITHOUT THE EXPRESS WRITTEN CONSENT OF YASKAWA AMERICA, INC.	TECH: J. BORJA	DATE 4-12-16	NEMA TYPE 1 ENCLOSURE		
			APPROVED: J. CAIRO	DATE 5-11-16	SIZE A	REVISION R00	PAGE 2 of 2
UNITS: IN[mm]	SCALE: BY VIEW	ORIGINAL DESIGN: -	DATE -	DRAWING #: DD.CDBR.D.FR3.N1			