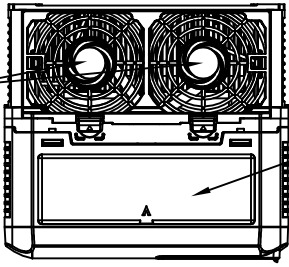
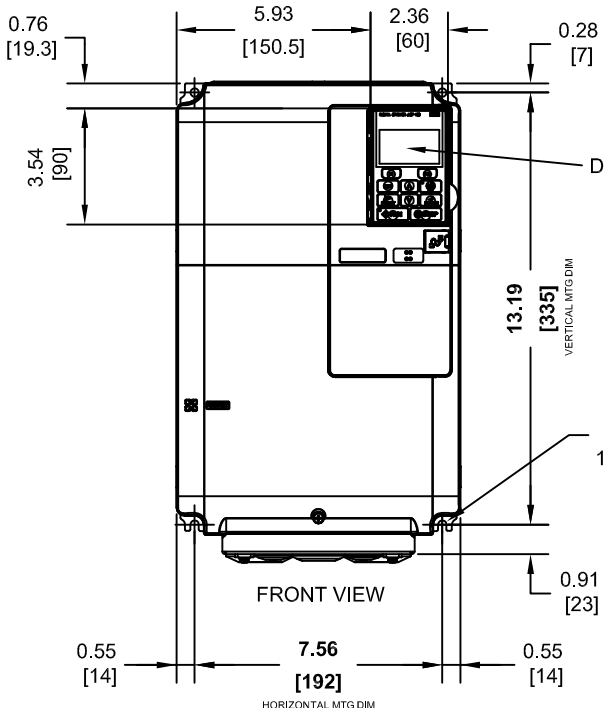


(2) EXTERNAL COOLING FANS



TOP PROTECTIVE COVER

NOTE:
 PROTECTIVE COVERS ARE FACTORY INSTALLED TO THE TOP AND BOTTOM OF THE DRIVE TO MEET IP20 REQUIREMENTS, RESULTING IN AN AMBIENT TEMPERATURE RATING OF 104F(40C). REMOVE THESE COVERS WHEN OPERATING THE DRIVE WITHIN A PANEL TO OBTAIN THE MAXIMUM SURROUNDING AIR TEMPERATURE RATING OF 122F(50C). REMOVING THESE COVERS RESULTS IN AN ENCLOSURE RATING OF IP00.



DIGITAL OPERATOR

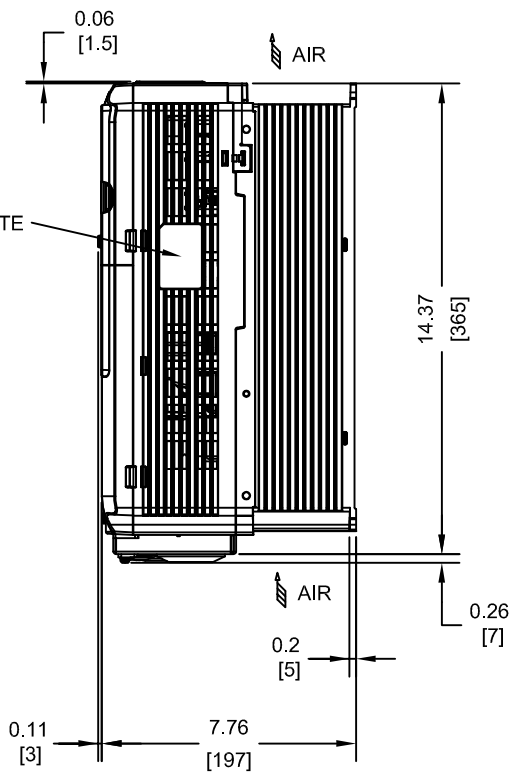
NAMEPLATE

(4)-MOUNTING HOLES FOR 1/4" [M6] SCREWS

FRONT VIEW

HORIZONTAL MTG DIM

VERTICAL MTG DIM



AIR

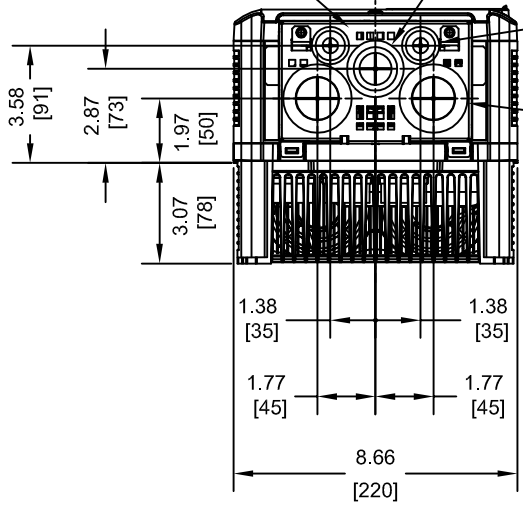
AIR

BOTTOM PROTECTIVE COVER

Ø1.38 [35] HOLE WITH RUBBER BUSHING

(2) - Ø0.87 [22] HOLE WITH RUBBER BUSHING

(2) - Ø1.73 [44] HOLE WITH RUBBER BUSHING



MODEL # CIMR-DU	VOLTAGE THREE-PHASE (VAC)	OUTPUT CAPACITY (kW)	WEIGHT LBS (Kg)	HEAT LOSS (W) (Fc=6kHz)		
				INT	EXT	TOT
2A0020BXX	200/240	20	17.6 (8.0)	101	319	420
4A0020BXX	380/480	20	17.6 (8.0)	103	314	417

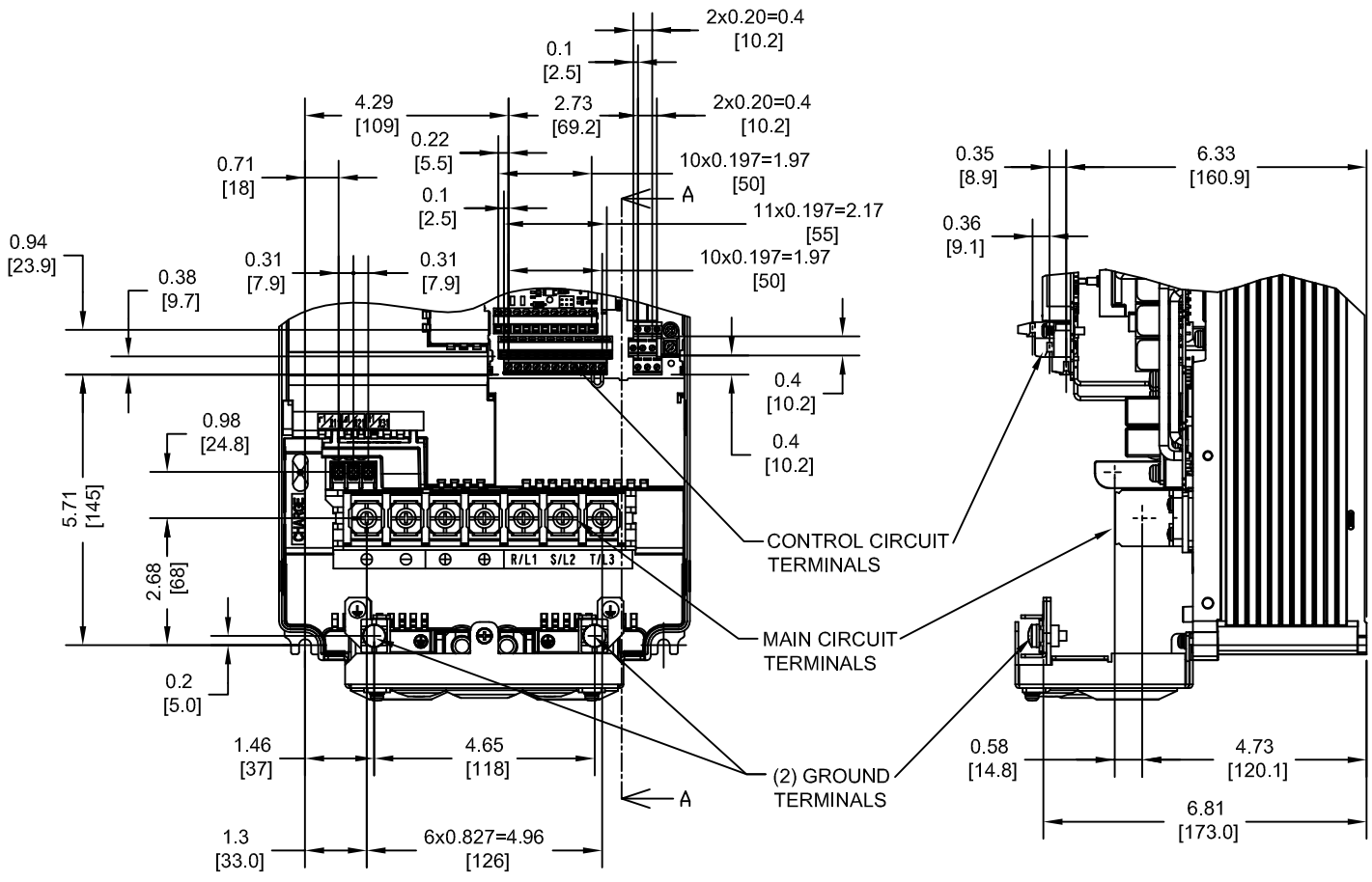
NOTE:
 XX DENOTES AA-ZZ

INT=INTERNAL COMPONENTS
 EXT=EXTERNAL HEATSINK
 TOT=TOTAL

FOR ADDITIONAL DETAILS AND SPECIFICATIONS, CONSULT MANUAL

TOLERANCES / REFERENCES:		<p>THIS DOCUMENT AND INFORMATION CONTAINED IN IT ARE CONFIDENTIAL, AND CANNOT BE COPIED OR DISCLOSED IN WHOLE OR IN PART WITHOUT THE EXPRESS WRITTEN CONSENT OF YASKAWA AMERICA, INC.</p>	DRAWN: J. MATTAS DATE: 7-16-14	TITLE: D1000 DIMENSION DRAWING FRAME SIZE 2 IP20 ENCLOSURE 2A0020B & 4A0020B	
			CHECKED: J. PIOTROWSKI DATE: 7-22-14	SIZE: A	REVISION: R00
			TECH: J. BORJA DATE: 7-24-14	PAGE: 1 of 3	
			APPROVED: J. CAIRO DATE: 9-19-14	DRAWING #: DD.D1K.FR2.IP20	
UNITS: IN [mm]	SCALE: 1:6				

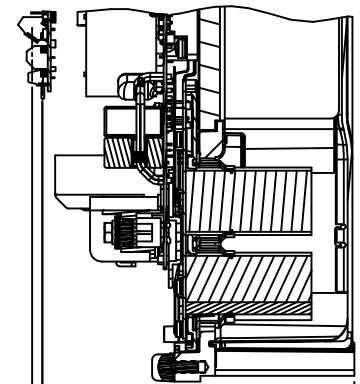
TERMINAL AND WIRING DETAILS (SCALE 1:4)



TERMINAL AND WIRE SPECIFICATIONS FOR MAIN CIRCUIT AND GROUND

MODEL # CIMR-DU	TERMINAL SYMBOL	TERMINAL SCREW	CLAMPING TORQUE lb.in.(N.m.)	WIRE RANGE AWG(mm ²)
2A0020B	R/L1, S/L2, T/L3, ⊖, ⊕	M6	31.9 TO 35.4 (3.6 TO 4)	4-1 (21.2-42.4)
4A0020B	r1/211, s1/221, t1/231	M3.5	7.1 TO 8.9 (0.8 TO 1.0)	14 (2.0)
	⊕	M6	47.8 TO 53.1 (5.4 TO 6)	8-6 (8.3-13.3)

NOTE: REFER TO APPLICABLE CODES FOR PROPER WIRE TYPE AND SIZE

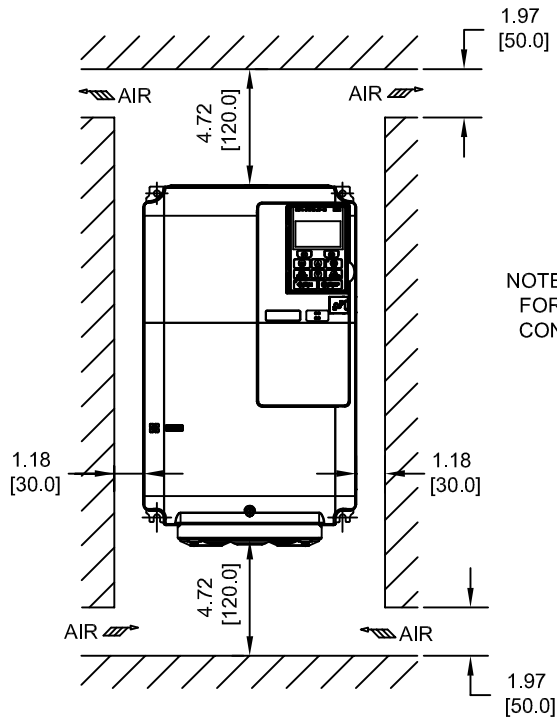


SECTION A-A

FOR ADDITIONAL DETAILS AND SPECIFICATIONS, CONSULT MANUAL

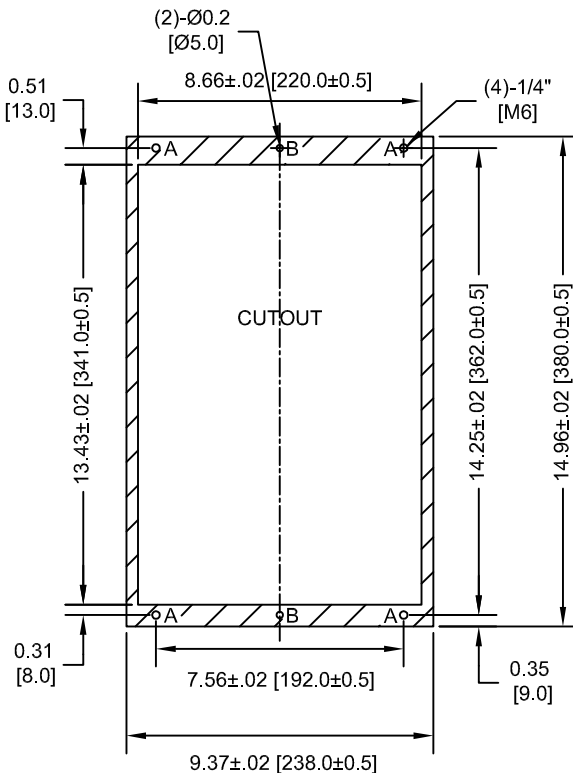
TOLERANCES / REFERENCES:			DRAWN: J. MATTAS DATE: 7-16-14	TITLE: D1000 DIMENSION DRAWING FRAME SIZE 2 IP20 ENCLOSURE 2A0020B & 4A0020B
UNITS: IN [mm]	SCALE: BY VIEW		CHECKED: J. PIOTROWSKI DATE: 7-22-14	TECH: J. BORJA DATE: 7-24-14
		THIS DOCUMENT AND INFORMATION CONTAINED IN IT ARE CONFIDENTIAL, AND CANNOT BE COPIED OR DISCLOSED IN WHOLE OR IN PART WITHOUT THE EXPRESS WRITTEN CONSENT OF YASKAWA AMERICA, INC.	APPROVED: J. CAIRO DATE: 9-19-14	DRAWING #: DD.D1K.FR2.IP20

MINIMUM INSTALLATION CLEARANCES (SCALE 1:8)



NOTE:
FOR SIDE-BY-SIDE MOUNTING
CONSULT MANUAL

PANEL CUTOUT FOR EXTERNAL HEATSINK
MOUNTING CONFIGURATION (SCALE 1:6)



NOTES:

- EXTERNAL HEATSINK CONFIGURATION REQUIRES MOUNTING KIT
- EXPOSED HEATSINK RECOMMENDED CLEARANCE D=3.35" MINUS PANEL THICKNESS

FOR ADDITIONAL DETAILS AND SPECIFICATIONS, CONSULT MANUAL

TOLERANCES / REFERENCES:		<p>THIS DOCUMENT AND INFORMATION CONTAINED IN IT ARE CONFIDENTIAL, AND CANNOT BE COPIED OR DISCLOSED IN WHOLE OR IN PART WITHOUT THE EXPRESS WRITTEN CONSENT OF YASKAWA AMERICA, INC.</p>	DRAWN: J. MATTAS	DATE: 7-16-14	TITLE: D1000 DIMENSION DRAWING FRAME SIZE 2 IP20 ENCLOSURE 2A0020B & 4A0020B
			CHECKED: J. PIOTROWSKI	DATE: 7-22-14	
			TECH: J. BORJA	DATE: 7-24-14	
			APPROVED: J. CAIRO	DATE: 9-19-14	
UNITS: IN [mm]	SCALE: BY VIEW		ORIGINAL DESIGN: -	DATE: -	SIZE: A REVISION: R00 PAGE: 3 of 3
					DRAWING #: DD.D1K.FR2.IP20