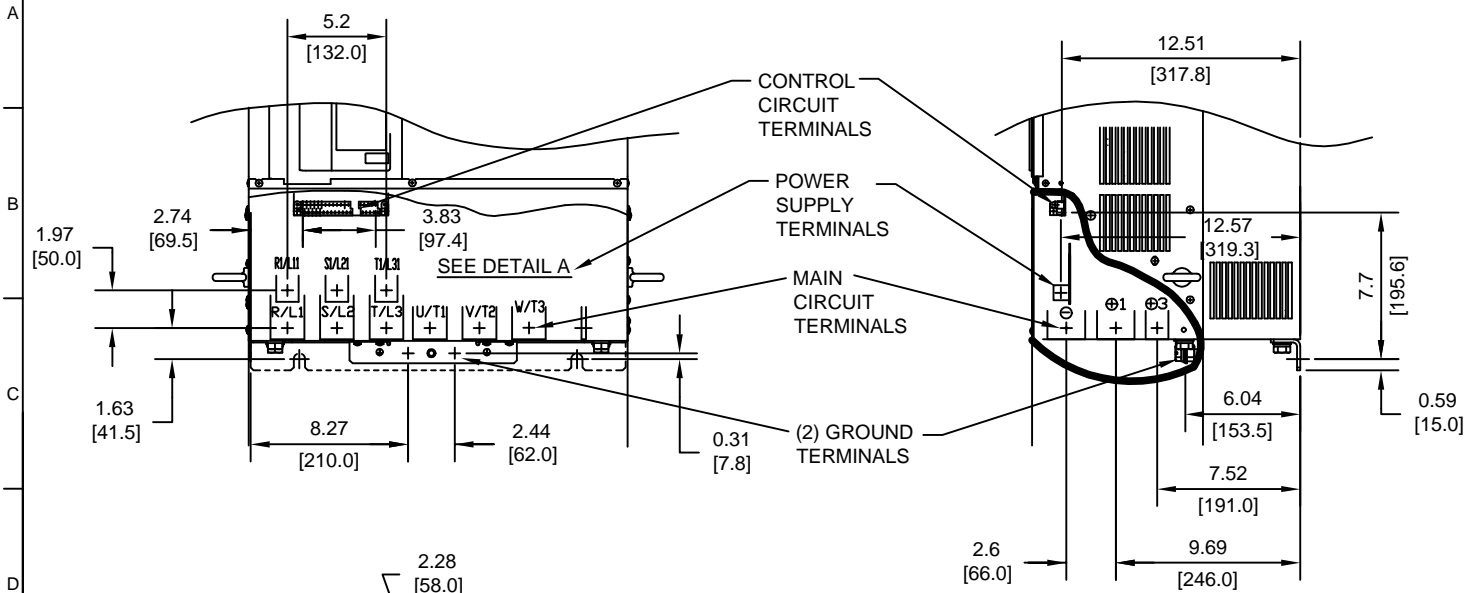
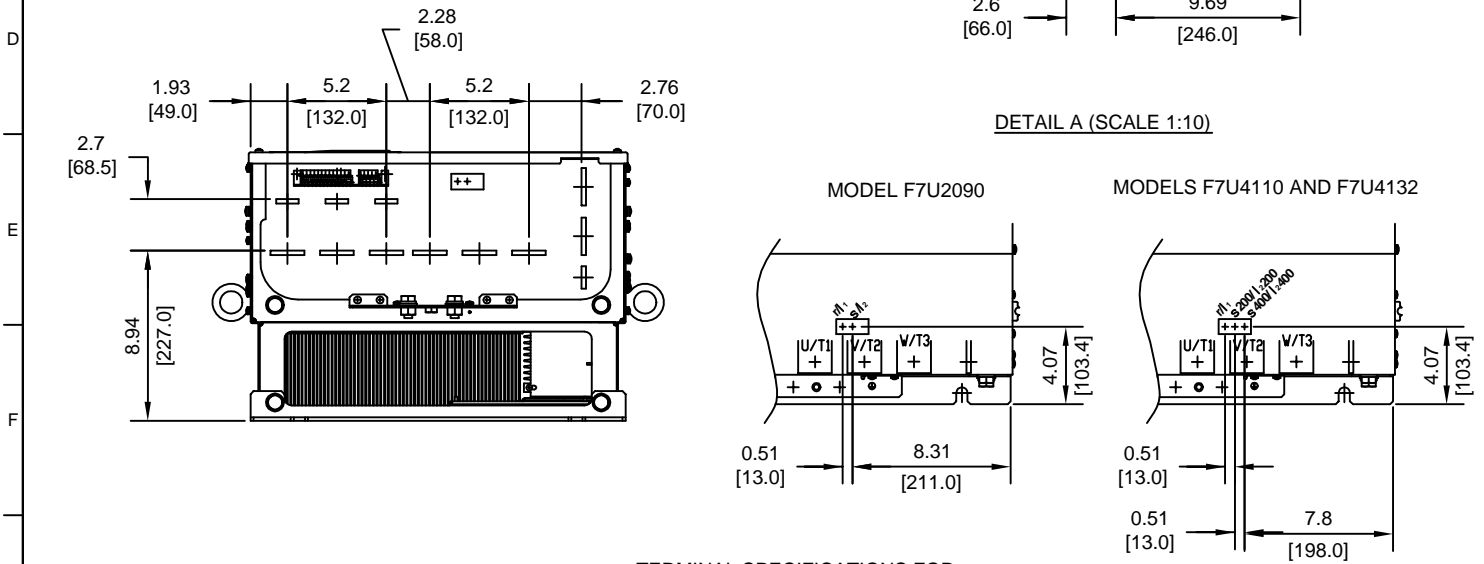


TERMINAL AND WIRING DETAILS (SCALE 1:10)



DETAIL A (SCALE 1:10)



TERMINAL SPECIFICATIONS FOR MAIN CIRCUIT AND GROUND

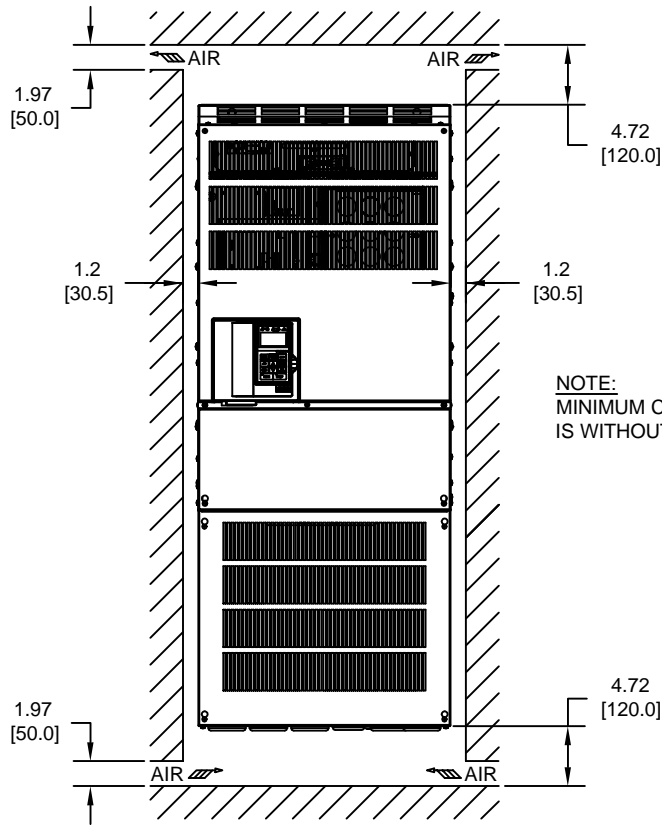
MODEL # CIMR-F7U	TERMINAL SYMBOL	TERMINAL SCREW	CLAMPING TORQUE lb.in.(N.m.)
2090	R/L1, S/L2, T/L3, ⊕, ⊕1, ⊕, U/T1, V/T2, W/T3, R1/L11, S1/L21, T1/L31	M12	276 TO 345 (31.4 TO 39.2)
	⊕3	M8	78.0 TO 95.0 (8.8 TO 10.8)
	r1 1, s/2	M4	11.4 TO 12.3 (1.3 TO 1.4)
4110	R/L1, S/L2, T/L3, ⊕, ⊕1, U/T1, V/T2, W/T3, R1/L11, S1/L21, T1/L31	M10	155 TO 198 (17.6 TO 22.5)
	⊕3	M8	78.0 TO 95.0 (8.8 TO 10.8)
	⊕	M12	276 TO 345 (31.4 TO 39.2)
	r1 1, s200 2 200, s400 2 400	M4	11.4 TO 12.3 (1.3 TO 1.4)
4132	R/L1, S/L2, T/L3, ⊕, ⊕1, U/T1, V/T2, W/T3, R1/L11, S1/L21, T1/L31	M10	155 TO 198 (17.6 TO 22.5)
	⊕3	M8	78.0 TO 95.0 (8.8 TO 10.8)
	⊕	M12	276 TO 345 (31.4 TO 39.2)
	r1 1, s200 2 200, s400 2 400	M4	11.4 TO 12.3 (1.3 TO 1.4)

NOTE: REFER TO APPLICABLE CODES FOR PROPER WIRE TYPE AND SIZE

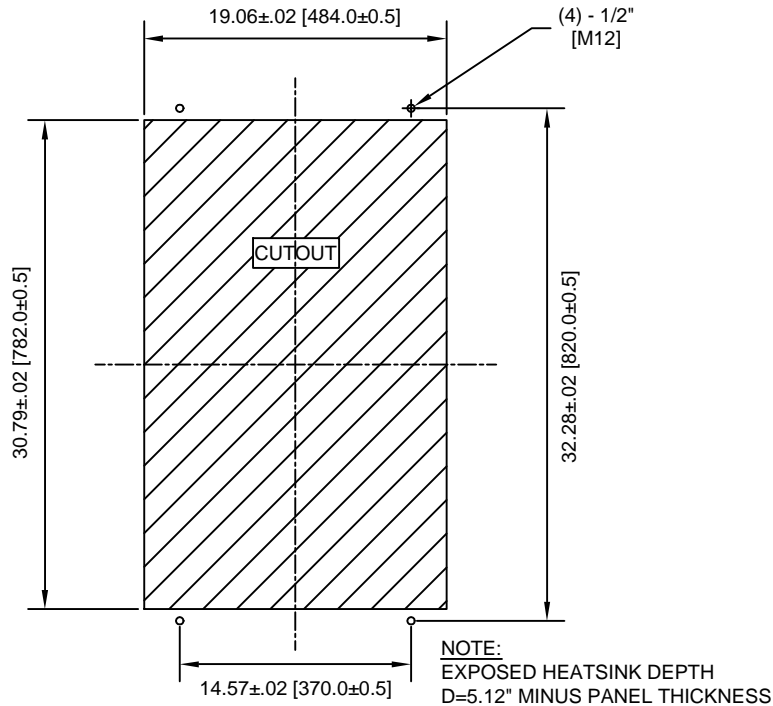
FOR ADDITIONAL DETAILS AND SPECIFICATIONS, CONSULT MANUAL

TOLERANCES/REFERENCES: - - - -	<p>YASKAWA A World of Automation Solutions™</p> <p>YASKAWA ELECTRIC AMERICA, INC. Corporate Headquarters 2121 Norman Drive South Waukegan, IL 60085 1-800-YASKAWA http://www.yaskawa.com</p>	DRAWN: J. MATTAS	DATE 6-19-03	TITLE: F7 DIMENSION DRAWING		
		CHECKED: M. RUCINSKI	DATE 7-2-03	FRAME SIZE 11		
		TECH: J. CAIRO	DATE 6-30-03	NEMA TYPE 1/IP20 ENCLOSURE		
		APPROVED: T. SASADA	DATE 7-7-03	F7U2090, 4110 TO 4132		
UNITS: IN[mm]	SCALE: BY VIEW	ORIGINAL DESIGN: -	DATE -	SIZE A	REVISION A	PAGE 2 of 3
			DRAWING # DD.F7.FR11.N1.01			

MINIMUM INSTALLATION CLEARANCES (SCALE 1:15)



PANEL CUTOUT FOR EXTERNAL HEATSINK MOUNTING CONFIGURATION (SCALE 1:12)



FOR ADDITIONAL DETAILS AND SPECIFICATIONS, CONSULT MANUAL

TOLERANCES/REFERENCES: -		<p>YASKAWA A World of Automation Solutions™</p> <p>YASKAWA ELECTRIC AMERICA, INC. Corporate Headquarters 2121 Norman Drive South Waukegan, IL 60085 1-800-YASKAWA http://www.yaskawa.com</p>	DRAWN: J. MATTAS	DATE 6-19-03	TITLE: F7 DIMENSION DRAWING		
UNITS: IN[mm]			SCALE: BY VIEW	CHECKED: M. RUCINSKI	DATE 7-2-03	FRAME SIZE 11	
			TECH: J. CAIRO	DATE 6-30-03	NEMA TYPE 1/P20 ENCLOSURE		
			APPROVED: T. SASADA	DATE 7-7-03	SIZE A	REVISION A	PAGE 3 of 3
			ORIGINAL DESIGN: -	DATE -	DRAWING #: DD.F7.FR11.N1.01		