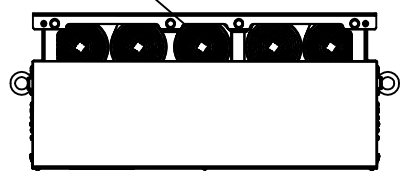
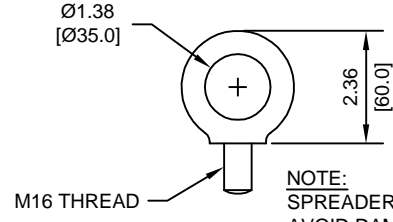


(5) EXTERNAL COOLING FANS

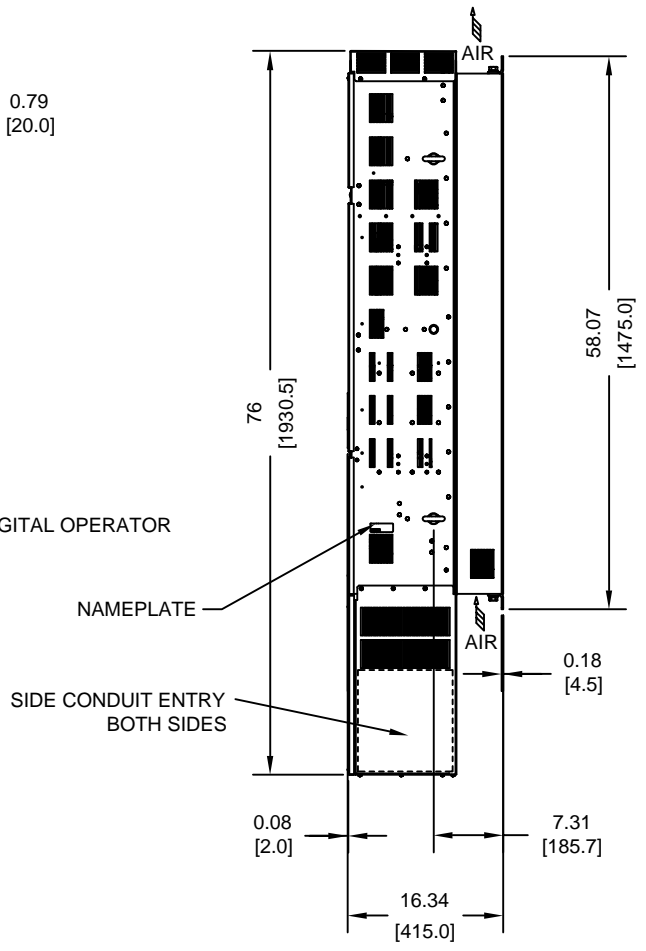
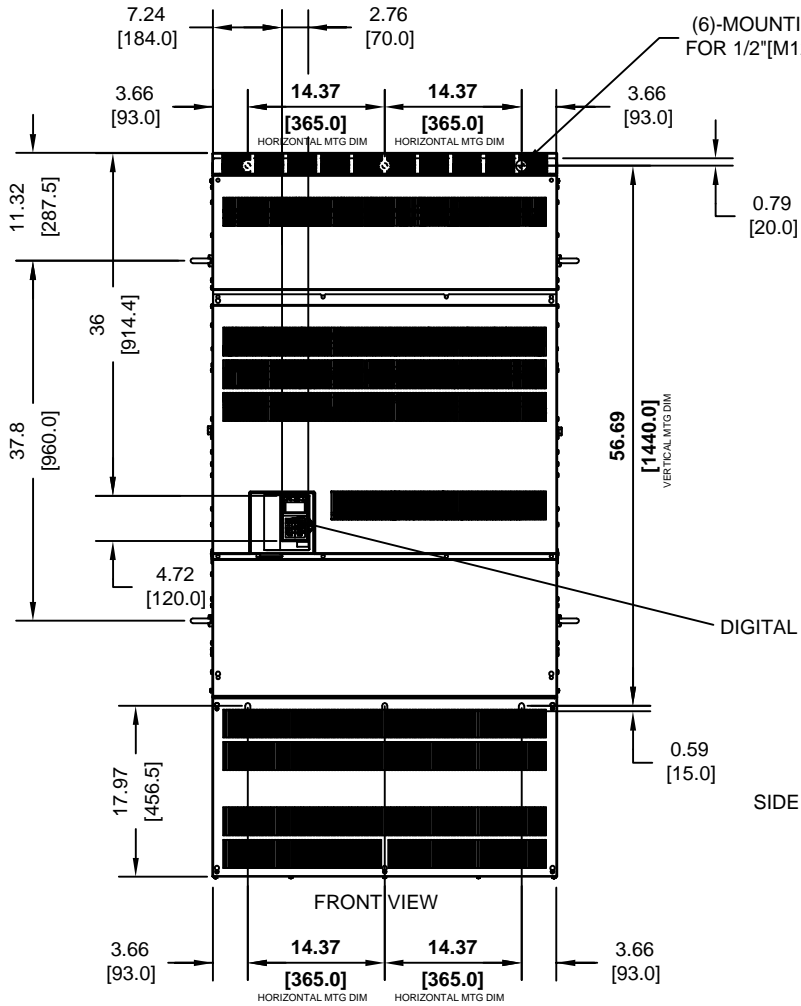


LIFTING AND EYEBOLT DETAILS



NOTE: SPREADER BAR REQUIRED TO AVOID DAMAGE DURING LIFTING

(6)-MOUNTING HOLES FOR 1/2"[M12] SCREWS



DIGITAL OPERATOR

NAMEPLATE

SIDE CONDUIT ENTRY BOTH SIDES

FRONT VIEW

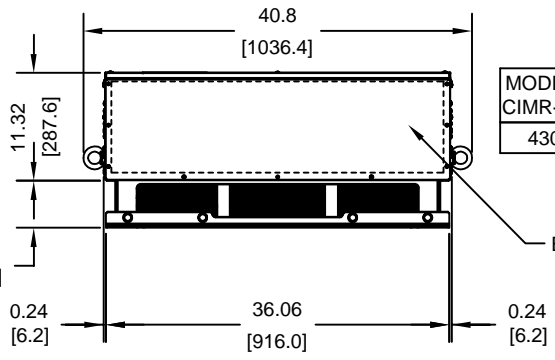
MODEL #	VOLTAGE (VAC)	OUTPUT CURRENT (A)		WEIGHT LBS (Kg)	HEAT LOSS (W)		
		ND2	HD		INT	EXT	TOTAL
4300	480	675	675	940 (427)	2482	5838	8320

ND2=NORMAL DUTY 2  
HD=HEAVY DUTY

INT=INTERNAL COMPONENTS  
EXT=EXTERNAL HEATSINK

BOTTOM CONDUIT ENTRY

4.94 [125.4]



FOR ADDITIONAL DETAILS AND SPECIFICATIONS, CONSULT MANUAL

TOLERANCES/REFERENCES:

UNITS: IN[mm]    SCALE: 1:20

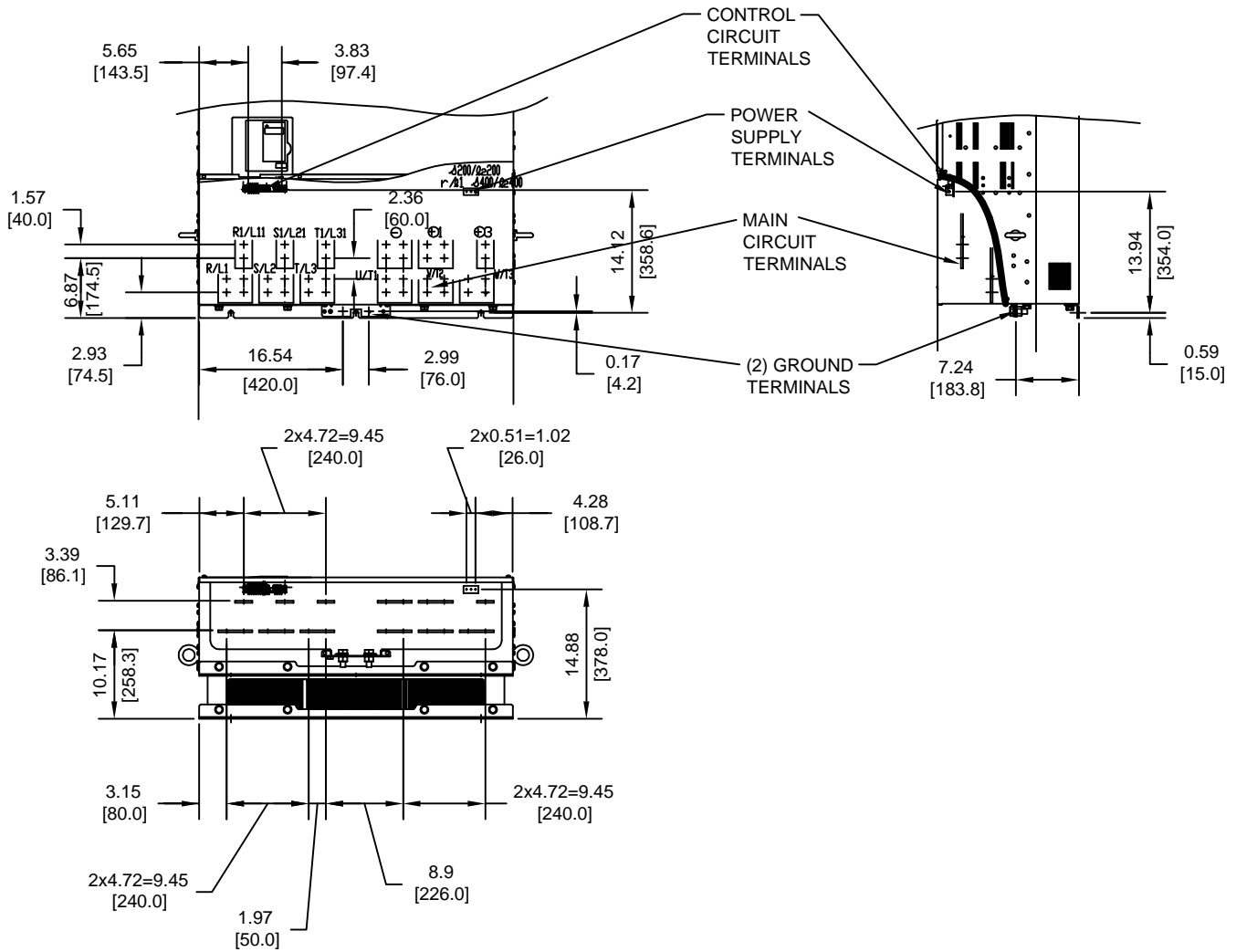
**YASKAWA**  
A World of Automation Solutions™

YASKAWA ELECTRIC AMERICA, INC.  
Corporate Headquarters  
2121 Norman Drive South  
Waukegan, IL 60085  
1-800-YASKAWA  
http://www.yaskawa.com

DRAWN: J. MATTAS	DATE: 5-21-08
CHECKED: J. MATTAS	DATE: 7-25-08
TECH: J. CAIRO	DATE: 8-1-08
APPROVED: T. SASADA	DATE: 8-8-08
ORIGINAL DESIGN: -	DATE: -

TITLE: F7 DIMENSION DRAWING		
FRAME SIZE 15		
NEMA TYPE 1/IP20 ENCLOSURE		
F7U4300		
SIZE: A	REVISION: R00	PAGE: 1 of 3
DRAWING #: DD.F7.FR15.N1.01		

TERMINAL AND WIRING DETAILS (SCALE 1:20)




TERMINAL AND WIRE SPECIFICATIONS FOR  
MAIN CIRCUIT AND GROUND

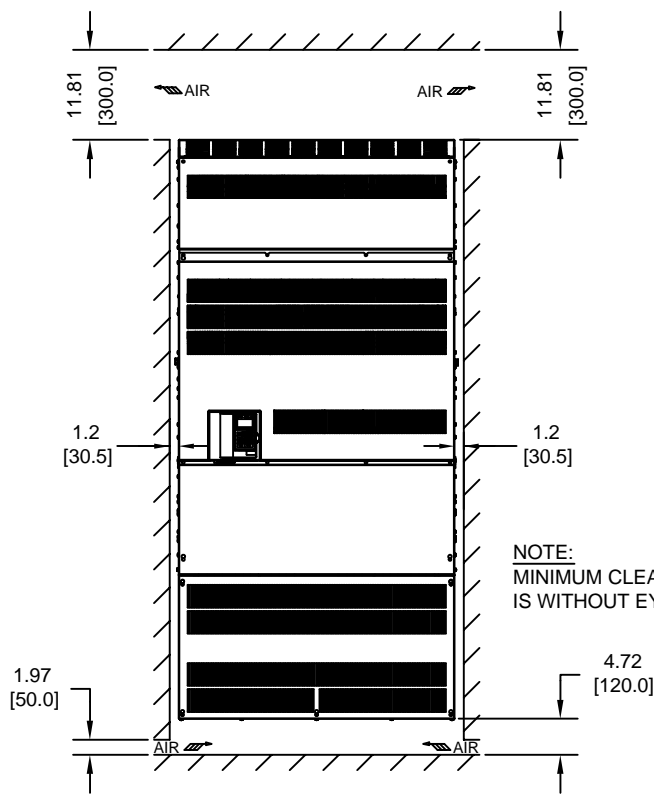
MODEL # CIMR-F7U	TERMINAL SYMBOL	TERMINAL SCREW	CLAMPING TORQUE lb.in.(N.m.)
4300	R/L1, S/L2, T/L3, U, V, W, U1, V1, W1, U2, V2, W2, U3, V3, W3	M16	694 TO 867 (78.4 TO 98.0)
	r1, s200, s400, s400	M4	11.4 TO 12.3 (1.3 TO 1.4)

NOTE: REFER TO APPLICABLE CODES FOR PROPER WIRE TYPE AND SIZE

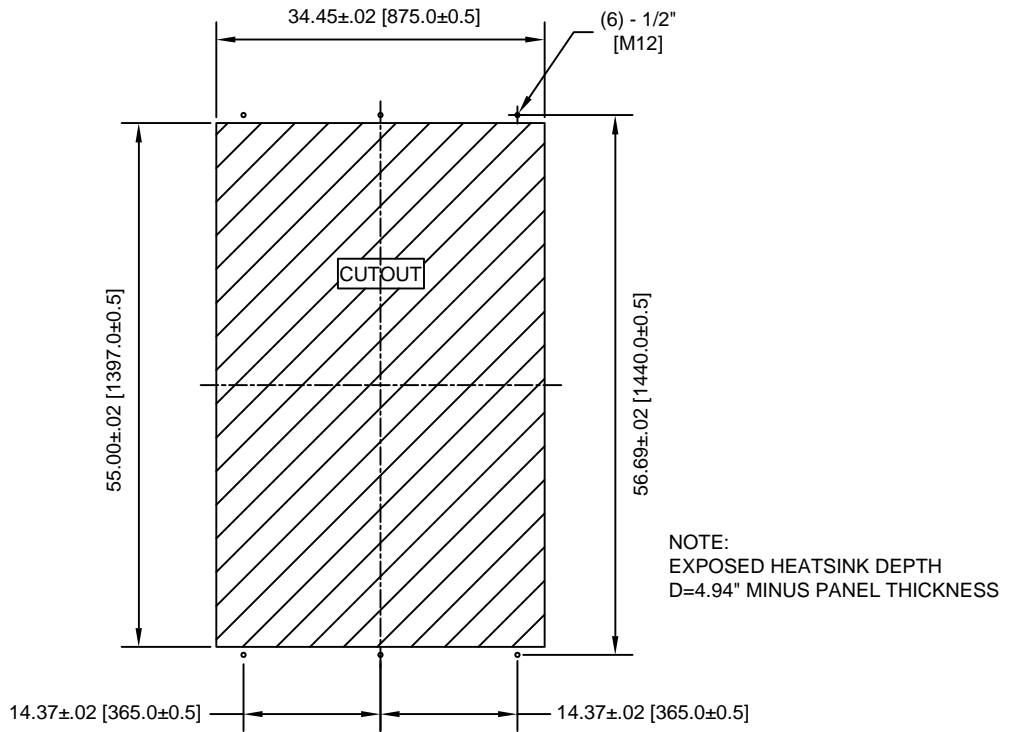
FOR ADDITIONAL DETAILS AND SPECIFICATIONS, CONSULT MANUAL

TOLERANCES/REFERENCES: - - - - - - - - - -	 <b>YASKAWA</b> <i>A World of Automation Solutions™</i> <b>YASKAWA ELECTRIC AMERICA, INC.</b> Corporate Headquarters 2121 Norman Drive South Waukegan, IL 60085 1-800-YASKAWA <a href="http://www.yaskawa.com">http://www.yaskawa.com</a>	DRAWN: J. MATTAS	DATE <b>5-21-08</b>	TITLE: F7 DIMENSION DRAWING		
		CHECKED: J. MATTAS	DATE <b>7-25-08</b>	FRAME SIZE 15		
		TECH: J. CAIRO	DATE <b>8-1-08</b>	NEMA TYPE 1/IP20 ENCLOSURE		
		APPROVED: T. SASADA	DATE <b>8-8-08</b>	F7U4300		
UNITS: IN[mm]	SCALE: BY VIEW	ORIGINAL DESIGN: -	DATE -	SIZE A	REVISION R00	PAGE 2 of 3
				DRAWING #: <b>DD.F7.FR15.N1.01</b>		


MINIMUM INSTALLATION CLEARANCES (SCALE 1:25)



PANEL CUTOUT FOR EXTERNAL HEATSINK MOUNTING CONFIGURATION (SCALE 1:20)



FOR ADDITIONAL DETAILS AND SPECIFICATIONS, CONSULT MANUAL

TOLERANCES/REFERENCES: - - - - - -		 <b>YASKAWA</b> <i>A World of Automation Solutions™</i> <b>YASKAWA ELECTRIC AMERICA, INC.</b> Corporate Headquarters 2121 Norman Drive South Waukegan, IL 60085 1-800-YASKAWA <a href="http://www.yaskawa.com">http://www.yaskawa.com</a>	DRAWN: <b>J. MATTAS</b>	DATE: <b>5-21-08</b>	TITLE: <b>F7 DIMENSION DRAWING</b>		
UNITS: <b>IN[mm]</b>	SCALE: <b>BY VIEW</b>		CHECKED: <b>J. MATTAS</b>	DATE: <b>7-25-08</b>	<b>FRAME SIZE 15</b> <b>NEMA TYPE 1/IP20 ENCLOSURE</b> <b>F7U4300</b>		
		TECH: <b>J. CAIRO</b>	DATE: <b>8-1-08</b>	SIZE: <b>A</b>	REVISION: <b>R00</b>	PAGE: <b>3 of 3</b>	
		APPROVED: <b>T. SASADA</b>	DATE: <b>8-8-08</b>	DRAWING #: <b>DD.F7.FR15.N1.01</b>			
		ORIGINAL DESIGN: -	DATE: -				