



1 2 3 4 5 6 7 8

A

B

C

D

E

F

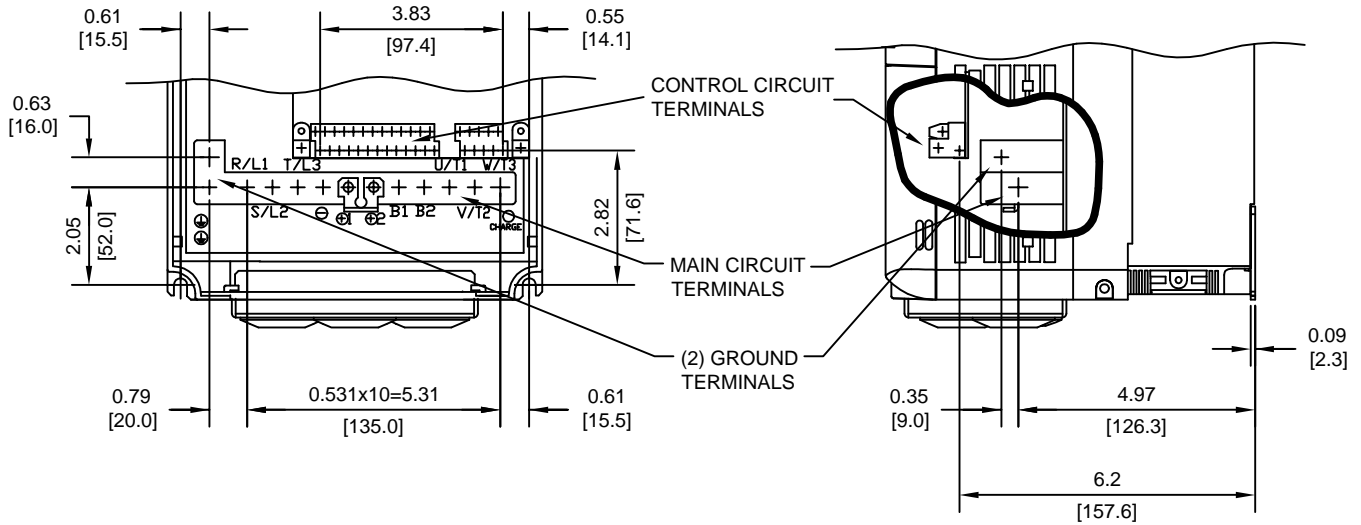
G

H

I

J

TERMINAL AND WIRING DETAILS (SCALE 1:4)



TERMINAL AND WIRE SPECIFICATIONS FOR  
MAIN CIRCUIT AND GROUND

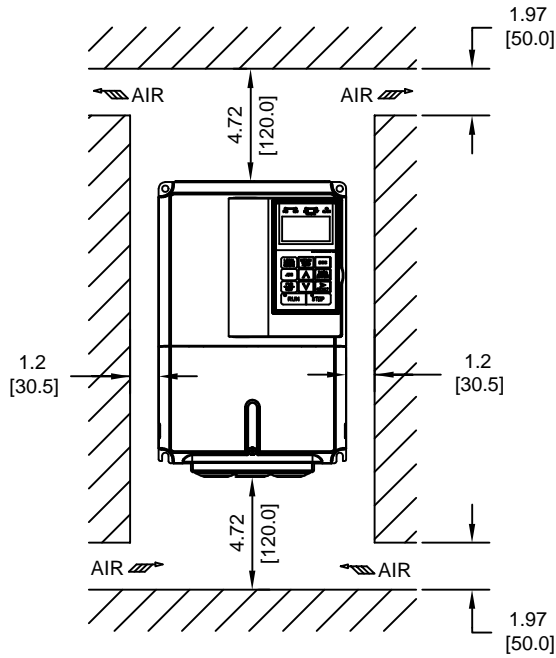
MODEL #	TERMINAL SYMBOL	TERMINAL SCREW	CLAMPING TORQUE lb.in.(N.m.)	WIRE RANGE AWG(mm <sup>2</sup> )
CIMR-F7U	R/L1, S/L2, T/L3, ⊖, ⊕1, ⊕2, B1, B2, U/T1, V/T2, W/T3, ⊕	M5	20.4 TO 22.1 (2.3 TO 2.5)	10-4 (5.5-22)

NOTE: REFER TO APPLICABLE CODES FOR PROPER WIRE TYPE AND SIZE

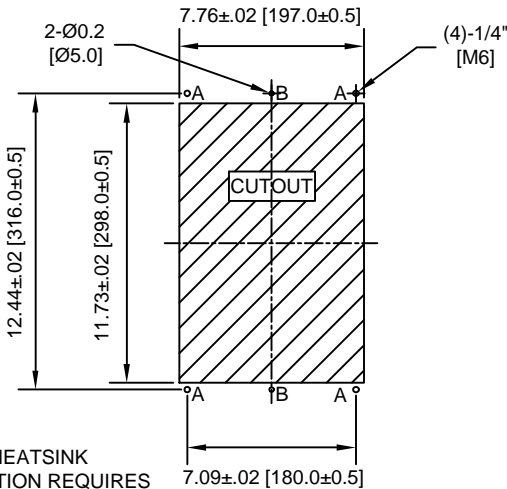
FOR ADDITIONAL DETAILS AND SPECIFICATIONS, CONSULT MANUAL

TOLERANCES/REFERENCES: - - - - -		<p><b>YASKAWA</b> A World of Automation Solutions™</p> <p>YASKAWA ELECTRIC AMERICA, INC. Corporate Headquarters 2121 Norman Drive South Waukegan, IL 60085 1-800-YASKAWA http://www.yaskawa.com</p>	DRAWN: J. MATTAS	DATE 4-24-03	TITLE: F7 DIMENSION DRAWING		
UNITS: IN[mm]			SCALE: BY VIEW	CHECKED: M. RUCINSKI	DATE 5-13-03	FRAME SIZE 3B	
			TECH: J. CAIRO	DATE 4-29-03	NEMA TYPE 1/IP20 AND IP00		
			APPROVED: T. SASADA	DATE 5-13-03	SIZE A	REVISION A	PAGE 2 of 3
			ORIGINAL DESIGN: -	DATE -	DRAWING #: DD.F7.FR3B.N1.01		

MINIMUM INSTALLATION CLEARANCES (SCALE 1:8)



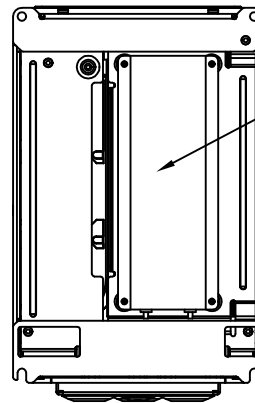
PANEL CUTOUT FOR EXTERNAL HEATSINK MOUNTING CONFIGURATION (SCALE 1:8)



NOTES:

- EXTERNAL HEATSINK CONFIGURATION REQUIRES MOUNTING KIT
- EXPOSED HEATSINK DEPTH D=2.58" MINUS PANEL THICKNESS

SIMPLIFIED REAR VIEW (SCALE 1:6)



OPTIONAL DYNAMIC BRAKING RESISTOR MOUNTING HARDWARE:  
(4)-M4x10 SCREWS

FOR ADDITIONAL DETAILS AND SPECIFICATIONS, CONSULT MANUAL

TOLERANCES/REFERENCES: - - - - - -		 <b>YASKAWA</b> <i>A World of Automation Solutions™</i> <b>YASKAWA ELECTRIC AMERICA, INC.</b> Corporate Headquarters 2121 Norman Drive South Waukegan, IL 60085 1-800-YASKAWA <a href="http://www.yaskawa.com">http://www.yaskawa.com</a>	DRAWN: <b>J. MATTAS</b> DATE: <b>4-24-03</b>	TITLE: <b>F7 DIMENSION DRAWING</b> <b>FRAME SIZE 3B</b> <b>NEMA TYPE 1/IP20 AND IP00</b> <b>F7U2011</b>
UNITS: IN[mm]	SCALE: BY VIEW		CHECKED: <b>M. RUCINSKI</b> DATE: <b>5-13-03</b>	TECH: <b>J. CAIRO</b> DATE: <b>4-29-03</b>
		APPROVED: <b>T. SASADA</b> DATE: <b>5-13-03</b>	ORIGINAL DESIGN: - DATE: -	DRAWING #: <b>DD.F7.FR3B.N1.01</b>