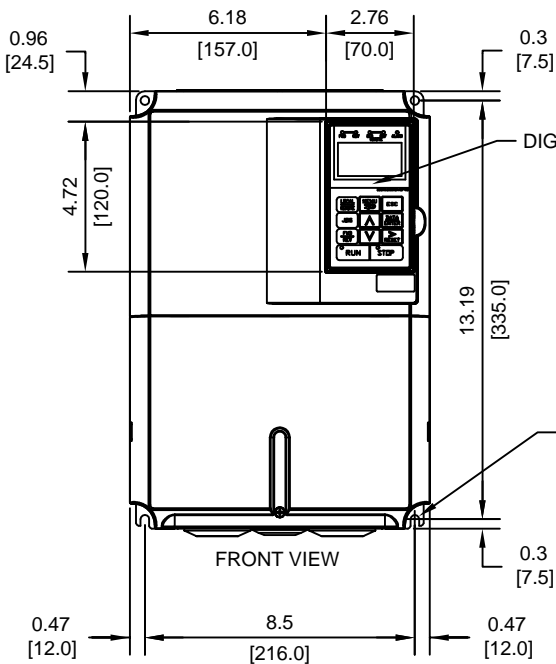


TOP PROTECTIVE COVER

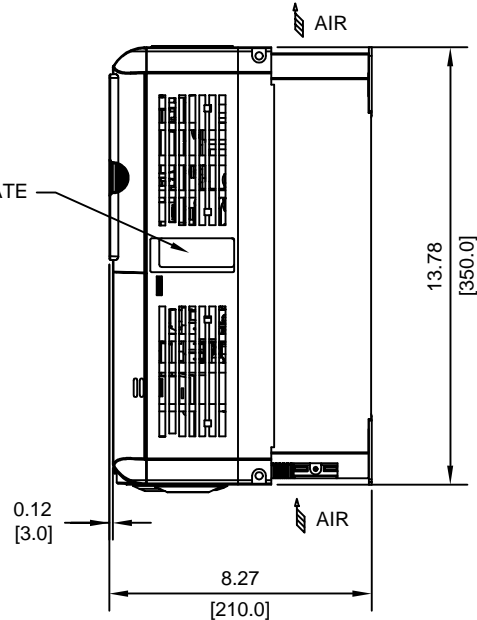
NOTE:
PROTECTIVE COVERS ARE FACTORY INSTALLED TO THE TOP AND BOTTOM OF THE DRIVE TO MEET IP20 & NEMA TYPE 1 REQUIREMENTS, RESULTING IN AN AMBIENT TEMPERATURE RATING OF 104F(40C). REMOVE THESE COVERS WHEN OPERATING THE DRIVE WITHIN A PANEL TO OBTAIN THE MAXIMUM SURROUNDING AIR TEMPERATURE RATING OF 113F(45C). REMOVING THESE COVERS RESULTS IN AN ENCLOSURE RATING OF IP00.



DIGITAL OPERATOR

NAMEPLATE

(4)-MOUNTING HOLES FOR 1/4" [M6] SCREWS

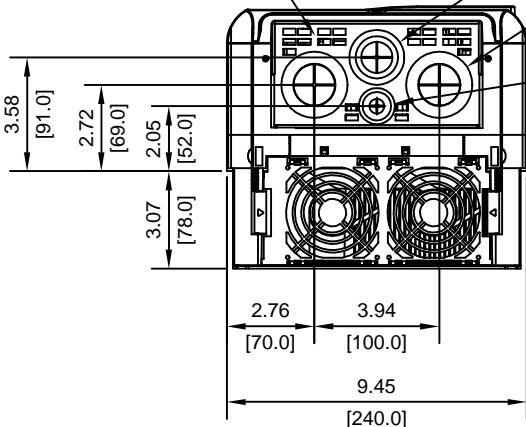


BOTTOM PROTECTIVE COVER

Ø1.38 [35] HOLE WITH RUBBER BUSHING

(2)-Ø1.73 [44] HOLE WITH RUBBER BUSHING

Ø0.87 [22] HOLE WITH RUBBER BUSHING



MODEL #	VOLTAGE (VAC)	OUTPUT CURRENT (A)		WEIGHT LBS (Kg)	HEAT LOSS (W)		
		ND2	HD		INT	EXT	TOTAL
CIMR-F7U	480	34.0	31.0	22.0 (10.0)	169	296	465

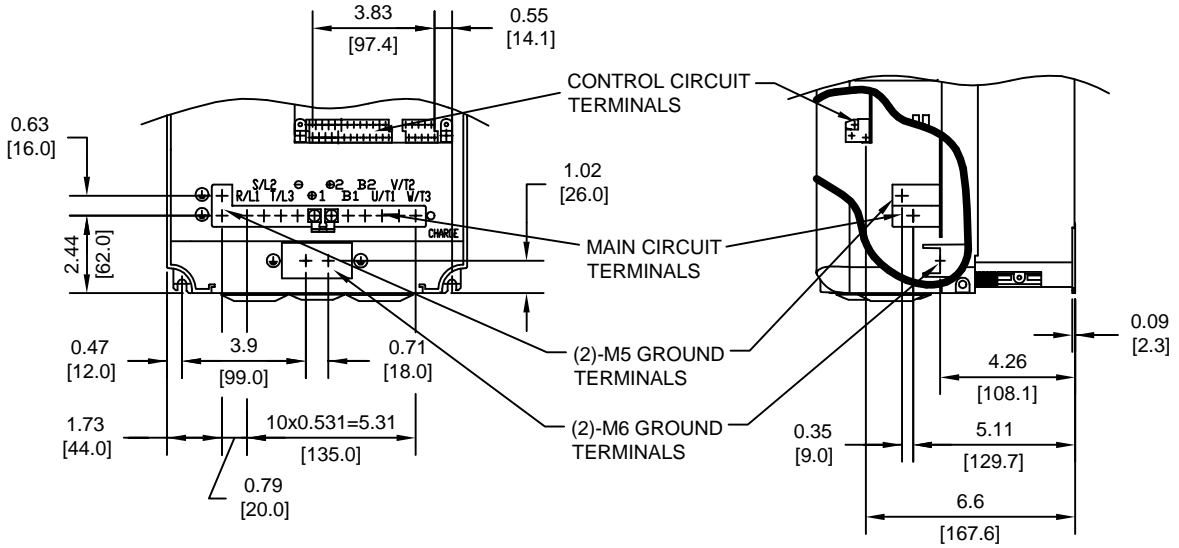
ND2=NORMAL DUTY 2
HD=HEAVY DUTY

INT=INTERNAL COMPONENTS
EXT=EXTERNAL HEATSINK

FOR ADDITIONAL DETAILS AND SPECIFICATIONS, CONSULT MANUAL

TOLERANCES/REFERENCES: - - - - - - - - - -	YASKAWA A World of Automation Solutions™ YASKAWA ELECTRIC AMERICA, INC. Corporate Headquarters 2121 Norman Drive South Waukegan, IL 60085 1-800-YASKAWA http://www.yaskawa.com	DRAWN: J. MATTAS DATE: 4-29-03	TITLE: F7 DIMENSION DRAWING FRAME SIZE 4B NEMA TYPE 1/IP20 AND IP00 F7U4015
		CHECKED: M. RUCINSKI DATE: 5-28-03	REVISION A
		TECH: J. CAIRO DATE: 4-30-03	PAGE 1 of 2
		APPROVED: T. SASADA DATE: 5-28-03	DRAWING #: DD.F7.FR4B.N1.01
UNITS: IN[mm]	SCALE: 1:6	ORIGINAL DESIGN: -	DATE: -

TERMINAL AND WIRING DETAILS (SCALE 1:6)

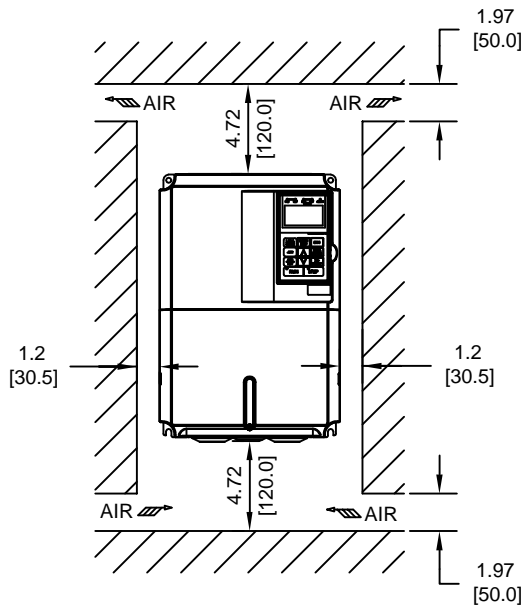


TERMINAL AND WIRE SPECIFICATIONS FOR MAIN CIRCUIT AND GROUND

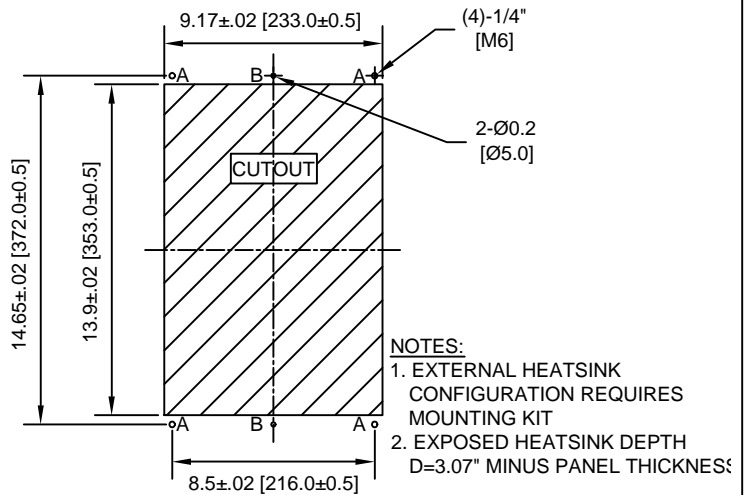
MODEL # CIMR-F7U	TERMINAL SYMBOL	TERMINAL SCREW	CLAMPING TORQUE lb.in.(N.m)	WIRE RANGE AWG(mm ²)
4015	R/L1, S/L2, T/L3, ⊙, ⊕1, ⊕2, U/T1, V/T2, W/T3, B1, B2	M5	20.4 TO 22.0 (2.3 TO 2.5)	10-6 (5.5-14)
	⊙	M5	20.4 TO 22.0 (2.3 TO 2.5)	10-6 (5.5-14)
	⊕	M6	35.2 TO 44.0 (4.0 TO 5.0)	10-6 (5.5-14)

NOTE: REFER TO APPLICABLE CODES FOR PROPER WIRE TYPE AND SIZE

MINIMUM INSTALLATION CLEARANCES (SCALE 1:10)



PANEL CUTOUT FOR EXTERNAL HEATSINK MOUNTING CONFIGURATION (SCALE 1:8)



FOR ADDITIONAL DETAILS AND SPECIFICATIONS, CONSULT MANUAL

TOLERANCES/REFERENCES: - - - - -	<p>YASKAWA A World of Automation Solutions™</p> <p>YASKAWA ELECTRIC AMERICA, INC. Corporate Headquarters 2121 Norman Drive South Waukegan, IL 60085 1-800-YASKAWA http://www.yaskawa.com</p>	DRAWN: J. MATTAS	DATE: 4-29-03	TITLE: F7 DIMENSION DRAWING	
		CHECKED: M. RUCINSKI	DATE: 5-28-03	FRAME SIZE 4B	
		TECH: J. CAIRO	DATE: 4-30-03	NEMA TYPE 1/IP20 AND IP00	
		APPROVED: T. SASADA	DATE: 5-28-03	F7U4015	
UNITS: IN[mm]	SCALE: BY VIEW	ORIGINAL DESIGN: -	DATE: -	DRAWING #: DD.F7.FR4B.N1.01	
			SIZE: A	REVISION: A	PAGE: 2 of 2