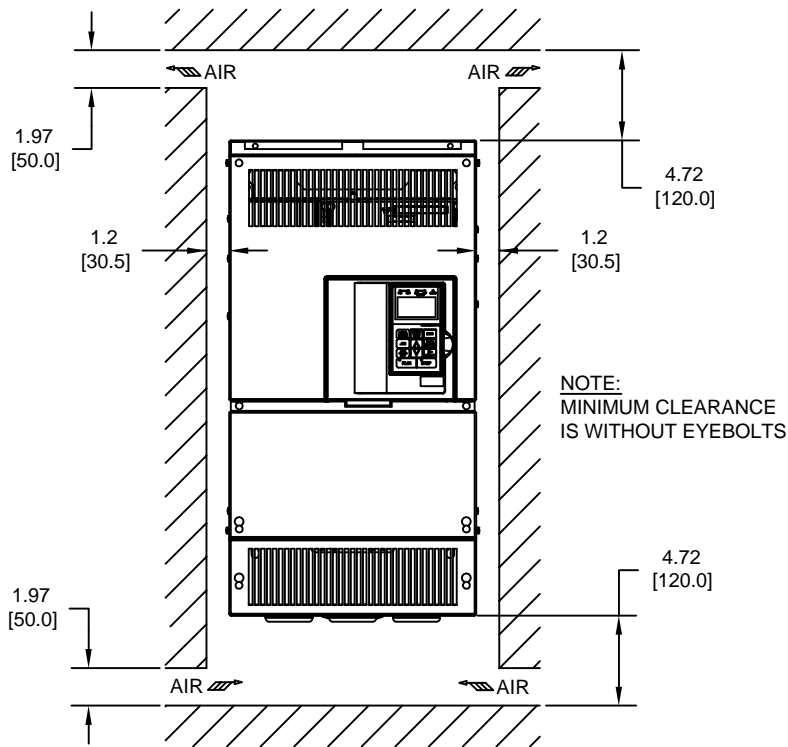
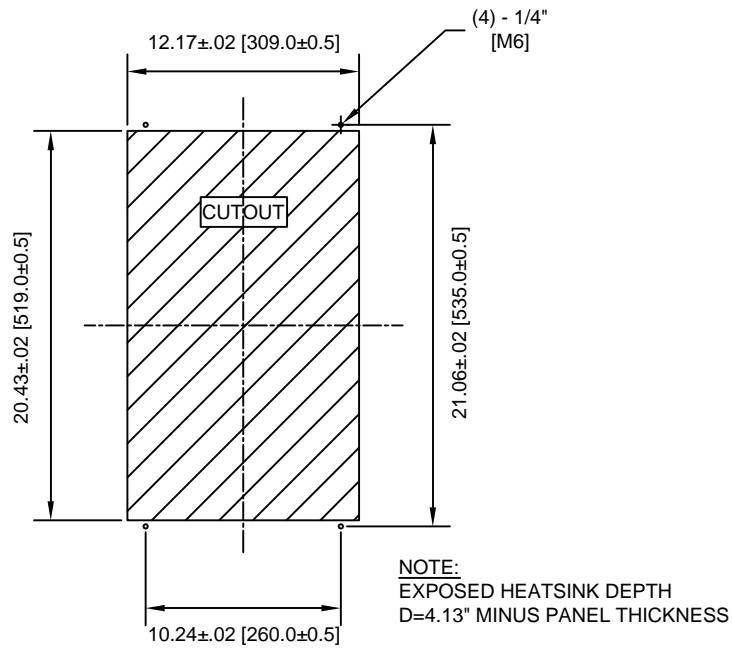


MINIMUM INSTALLATION CLEARANCES (SCALE 1:10)



PANEL CUTOUT FOR EXTERNAL HEATSINK MOUNTING CONFIGURATION (SCALE 1:10)



FOR ADDITIONAL DETAILS AND SPECIFICATIONS, CONSULT MANUAL

| | | | | | | | |
|-----------------------------|--|-----------------------------------------------------------------------------------------------------------------------------------------------------------------------------------------------------------------------------|------------------------|-------------------------|--------------------------------|---------------|----------------|
| TOLERANCES/REFERENCES: - | | <p>YASKAWA A World of Automation Solutions™</p> <p>YASKAWA ELECTRIC AMERICA, INC. Corporate Headquarters 2121 Norman Drive South Waukegan, IL 60085 1-800-YASKAWA http://www.yaskawa.com</p> | DRAWN: J. MATTAS | DATE 6-12-03 | TITLE: F7 DIMENSION DRAWING | | |
| UNITS: IN[mm] | | | SCALE: BY VIEW | CHECKED: M. RUCINSKI | DATE 7-15-03 | FRAME SIZE 9A | |
| | | | TECH: J. CAIRO | DATE 6-30-03 | NEMA TYPE 1/IP20 ENCLOSURE | | |
| | | | APPROVED: T. SASADA | DATE 7-15-03 | SIZE A | REVISION A | PAGE 3 of 3 |
| | | | ORIGINAL DESIGN: - | DATE - | DRAWING #: DD.F7.FR9A.N1.01 | | |