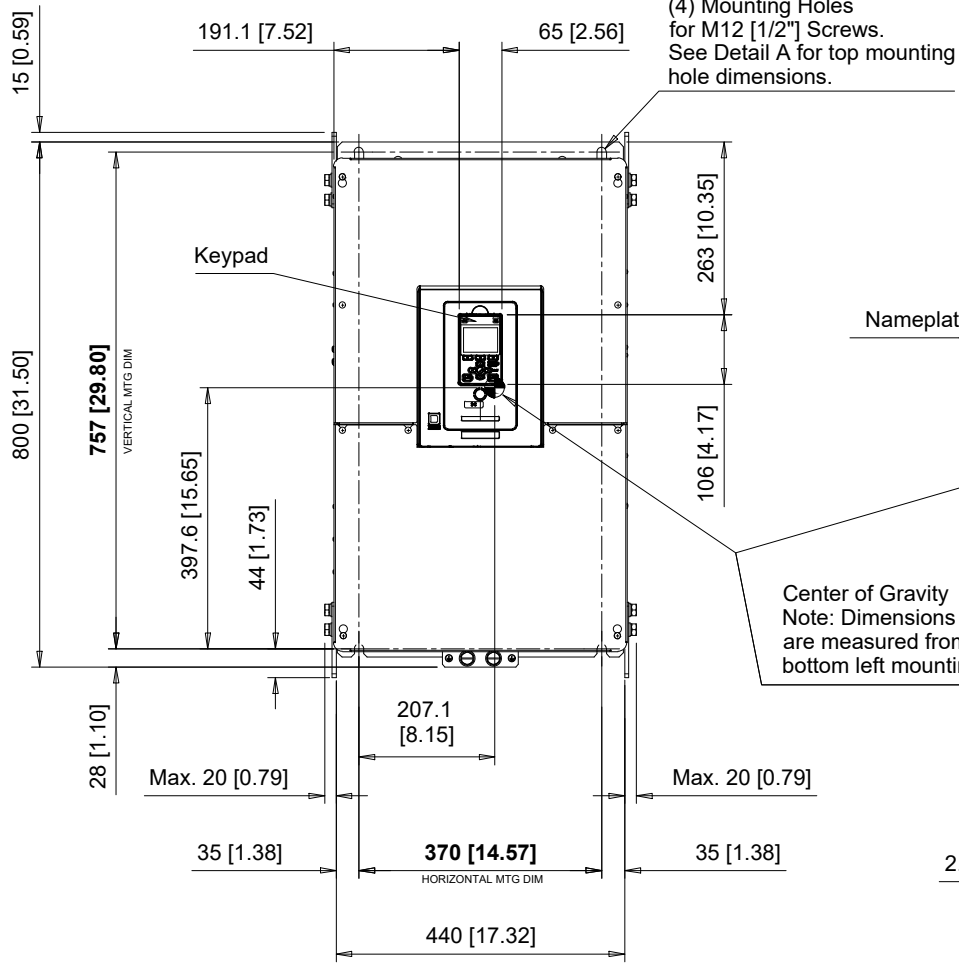
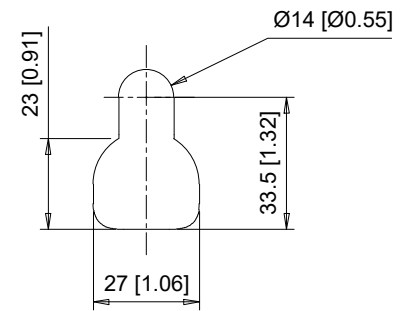
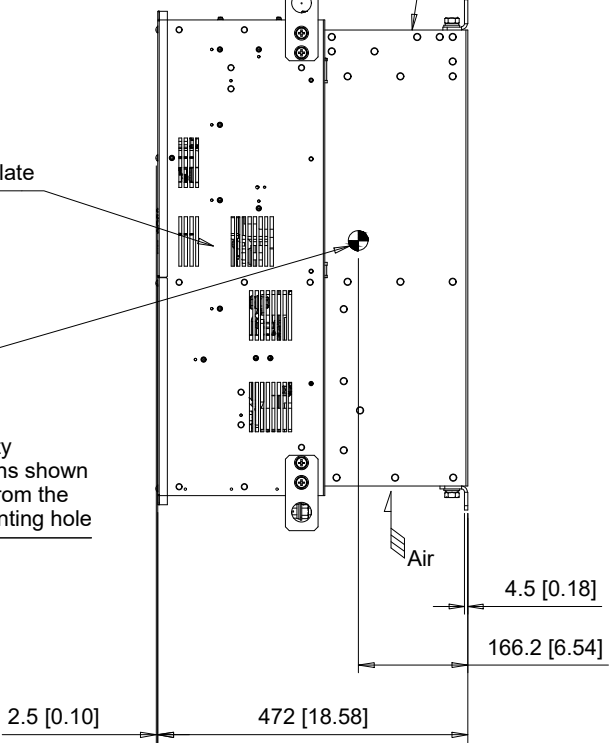


A B C D E F G H I J

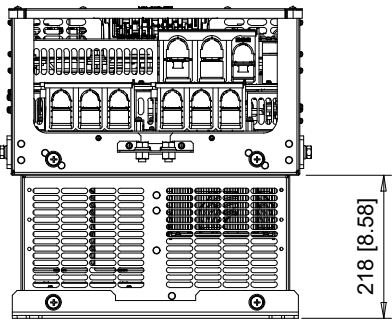


Center of Gravity  
 Note: Dimensions shown are measured from the bottom left mounting hole

Note: Spreader bar required to avoid damage during lifting  
 (4)-Lifting Holes Ø30 [Ø1.18]



**Detail A**  
 Top mounting hole dimensions  
 Scale 1:2



C/C: FP65□	INPUT VOLTAGE 3-PHASE (VAC)	WEIGHT Kg (lb)	COOLING FANS
2343□□□	200 TO 240	109 (240.3)	3
2396□□□		113 (249.1)	3
4361□□□	380 TO 480	115 (253.5)	3
4414□□□		121 (266.8)	3

□ denotes A-Z

**YASKAWA**

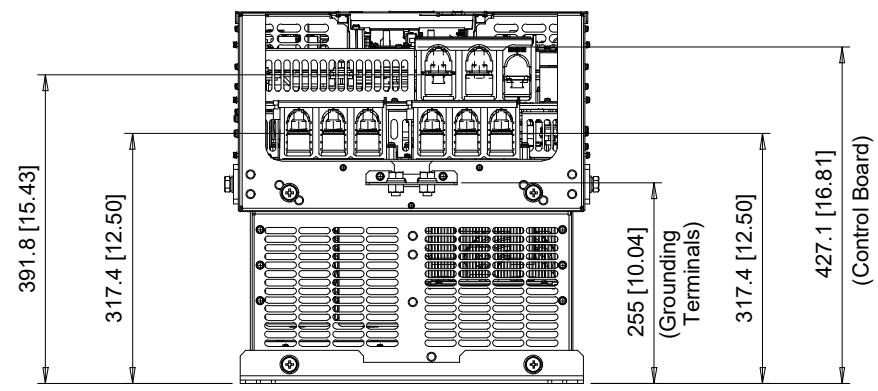
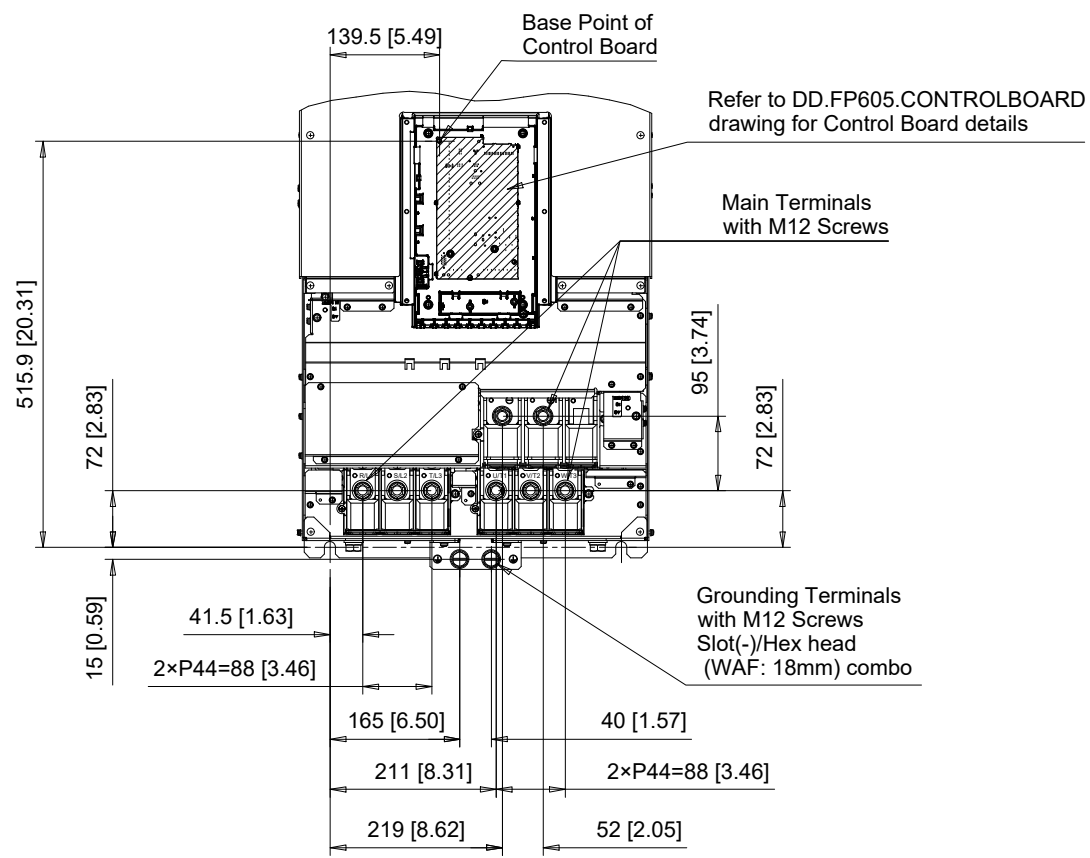
UNITS MM [IN]  
 SCALE 1:12

DRWN. J. MATTAS 3-31-22  
 CHKD. J. PIOTROWSKI 4-20-22  
 TECH. L. UDDIN 4-23-22  
 APRV. J. CAIRO 4-21-22

TITLE  
 FP605 DIMENSION DRAWING  
 FRAME SIZE 10  
 IP20 ENCLOSURE

SIZE A PAGE 1 OF 3  
 DWG.NO.  
 DD.FP605.FR10.IP20

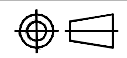
REV  
 0



C/C: FP65□	TERMINAL SYMBOL	WIRE RANGE AWG (mm <sup>2</sup> )	TERMINAL SCREW	CLAMPING TORQUE N.m. (lb.in.)
2343□□□	R/L1, S/L2, T/L3	2/0 - 300 x 2P (70 - 150 x 2P)	M12	35 (310)
2396□□□	U/T1, V/T2, W/T3	2/0 - 300 x 2P (70 - 150 x 2P)	M12	35 (310)
4361□□□	-, +1	4/0 - 400 x 2P (120 - 205 x 2P)	M12	35 (310)
4414□□□	⊕	1 - 350 (120 - 240)	M12	32 - 40 (283 - 354)

□ Denotes A-Z  
 Note: Refer to applicable codes and standards for proper wire type and size.

**YASKAWA**



UNITS MM [IN]  
 SCALE 1:10

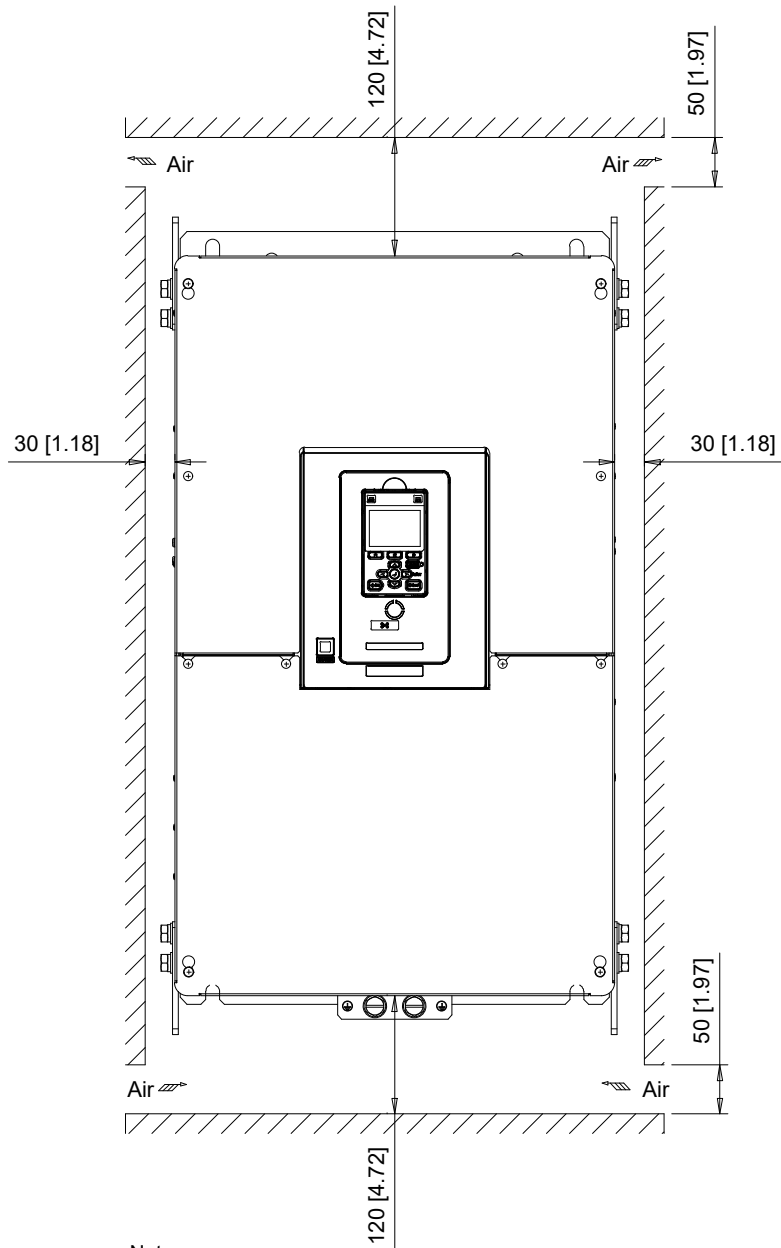
DRWN.	J. MATTAS	3-31-22
CHKD.	J. PIOTROWSKI	4-20-22
TECH.	L. UDDIN	4-23-22
APRV.	J. CAIRO	4-21-22

TITLE	FP605 DIMENSION DRAWING FRAME SIZE 10 IP20 ENCLOSURE
-------	------------------------------------------------------------

SIZE	A	PAGE	2 OF 3
DWG.NO.	DD.FP605.FR10.IP20		

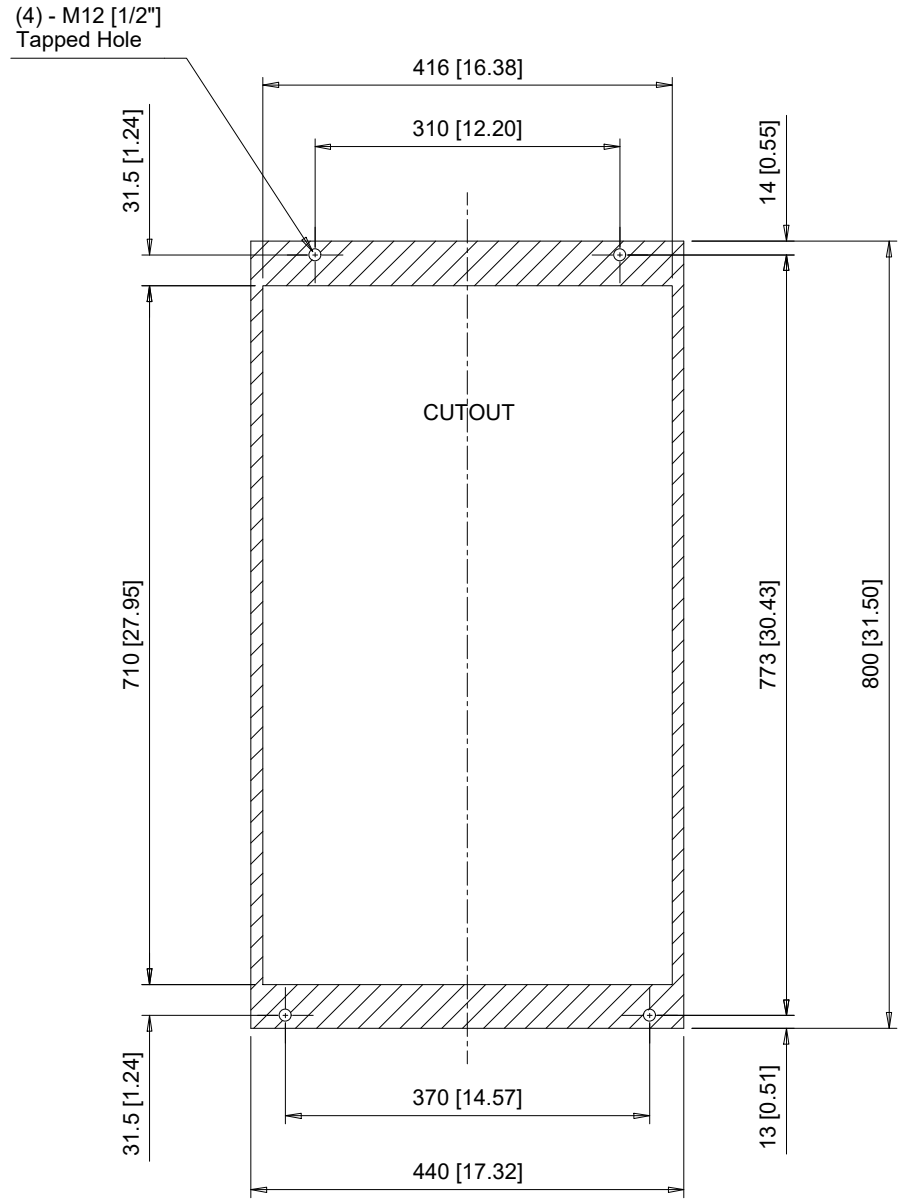
REV  
 0

Minimum Installation Clearances



Note:  
For alternate mounting configurations, consult manual.

Panel Cutout  
For External Heatsink Mounting Configuration



Notes:  
Exposed heatsink minimum clearance D = 223 [8.78].  
Refer to external heatsink instructions document for additional details.

**YASKAWA**

UNITS MM [IN]  
SCALE 1:8

DRWN.	J. MATTAS	3-31-22
CHKD.	J. PIOTROWSKI	4-20-22
TECH.	L. UDDIN	4-23-22
APRV.	J. CAIRO	4-21-22

TITLE  
FP605 DIMENSION DRAWING  
FRAME SIZE 10  
IP20 ENCLOSURE

SIZE A  
PAGE 3 OF 3  
DWG.NO.  
DD.FP605.FR10.IP20

REV  
0