

(12) Mounting Holes for M6 [1/4"] Screws.

Top Type 1 Protective Cover

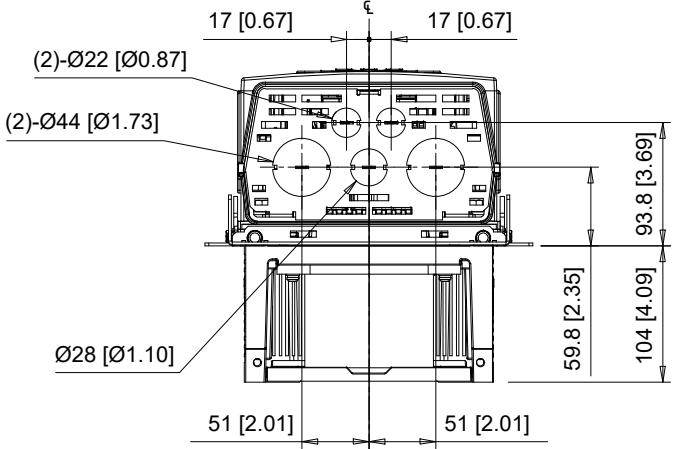
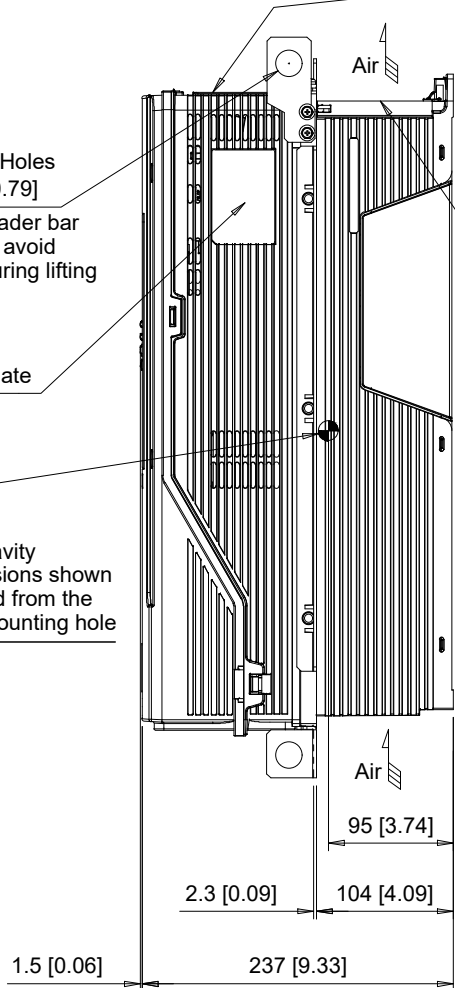
Note: Protective covers are factory installed to the top and bottom of the drive to meet UL Type 1 requirements. Remove these covers when operating the drive within a panel. Removing these covers results in an enclosure rating of IP20. This note does not apply to model 4065. Do not remove the top cover from model 4065 when operating the drive within a panel.

(2)-Lifting Holes Ø20 [Ø0.79]
 Note: Spreader bar required to avoid damage during lifting

Cooling fan location

Nameplate

Center of Gravity
 Note: Dimensions shown are measured from the bottom left mounting hole



The dimensions shown are for an IP20/Type 1 Drive that has been converted to a IP20/Backside Type 12 Drive by adding the parts from Type 12 heatsink external mounting kit number part number ZPSD-600-EH12-FR3

C/C: FP65□	INPUT VOLTAGE 3-PHASE (VAC)	WEIGHT Kg (lb)		COOLING FANS
		STANDARD	WITH EMC FILTER	
2046□□□	200 TO 240	14.6 (32.1)	15.6 (34.3)	1
2059□□□		15.6 (34.3)	16.6 (36.5)	1
4040□□□	380 TO 480	15.6 (34.3)	16.6 (36.5)	1
4052□□□		17.6 (48.7)	18.6 (40.9)	1
4065□□□		19.6 (43.1)	20.6 (45.3)	1

□ denotes A-Z

YASKAWA

UNITS MM [IN]
 SCALE 1:6

DRWN. J. MATTAS 7-19-22
 CHKD. J. PIOTROWSKI 8-3-22
 TECH. L. UDDIN 8-18-22
 APRV. J. CAIRO 8-17-22

TITLE
 FP605 DIMENSION DRAWING
 FRAME SIZE 3
 IP20/BACKSIDE TYPE 12 ENCLOSURE

SIZE A PAGE 1 OF 3
 DWG.NO. DD.FP605.FR3.FLNG

REV 0

A B C D E F G H I J

1

2

3

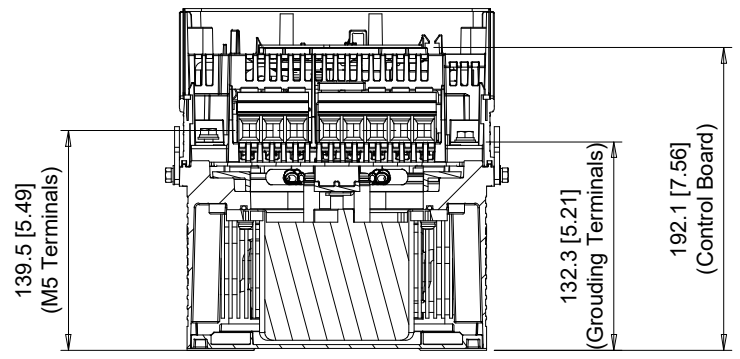
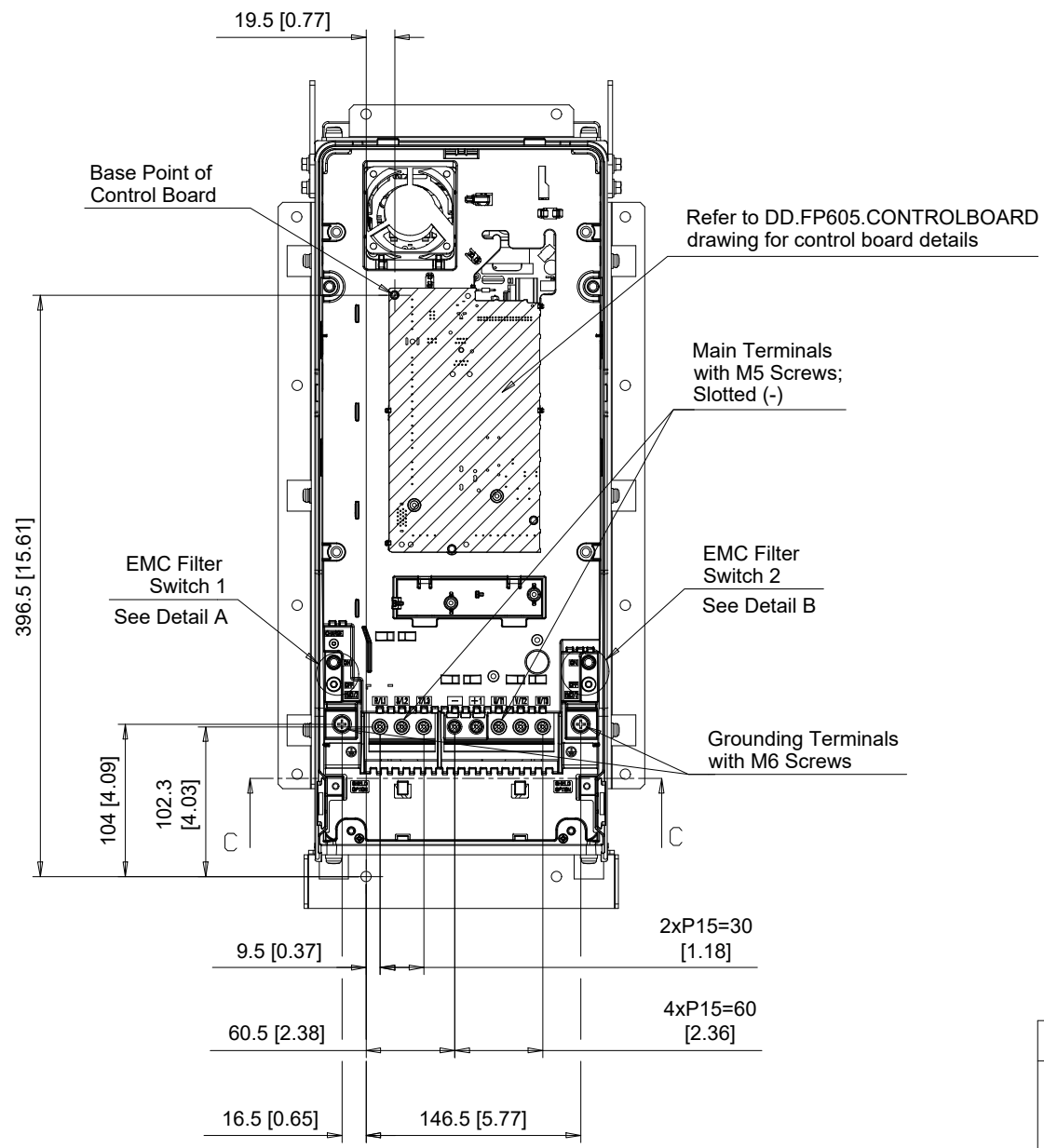
4

5

6

7

8



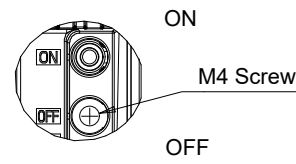
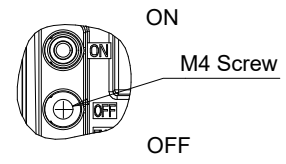
Section C-C

EMC FILTER SWITCHES

Note: EMC filter switches enabled only on models with built-in EMC filter

EMC SW1

EMC SW2



Detail A
Scale 1:2

Detail B
Scale 1:2

C/C: FP65□	TERMINAL SYMBOL	WIRE RANGE AWG (mm ²)	TERMINAL SCREW	CLAMPING TORQUE N.m. (lb.in.)
2046□□□	R/L1, S/L2, T/L3	8 - 2 (10 - 35)	M5	4.5 (40)
2059□□□	U/T1, V/T2, W/T3	8 - 2 (10 - 35)	M5	4.5 (40)
4040□□□	-, +1	8 - 2 (10 - 35)	M5	4.5 (40)
4052□□□	⊕	14 - 4 (2.5 - 25)	M6	4.0 - 5.0 (35 - 44)
4065□□□				

□ Denotes A-Z

Note: Refer to applicable codes and standards for proper wire type and size.

YASKAWA

UNITS MM [IN]
SCALE 1:5

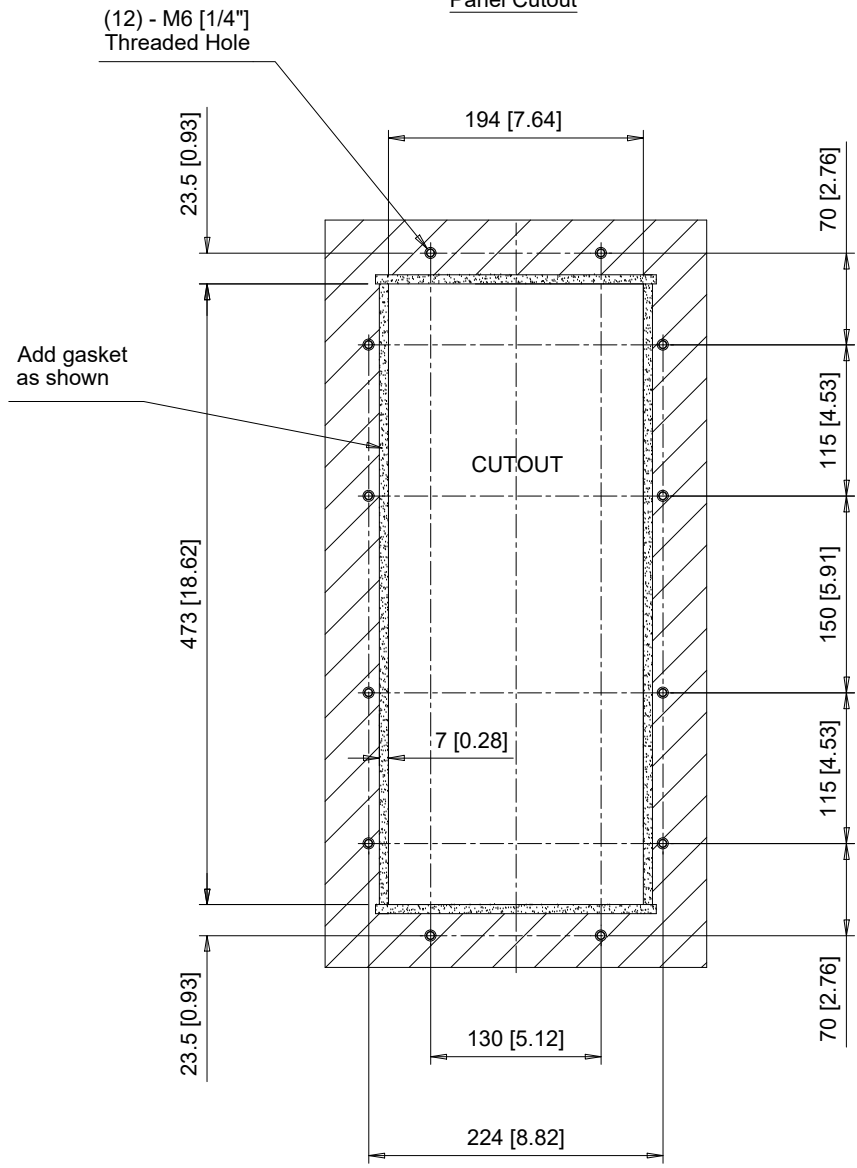
DRWN. J. MATTAS 7-19-22
CHKD. J. PIOTROWSKI 8-3-22
TECH. L. UDDIN 8-18-22
APRV. J. CAIRO 8-17-22

TITLE
FP605 DIMENSION DRAWING
FRAME SIZE 3
IP20/BACKSIDE TYPE 12 ENCLOSURE

SIZE A PAGE 2 OF 3
DWG.NO. DD.FP605.FR3.FLNG

REV 0

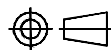
Panel Cutout



Notes:

Exposed heatsink minimum clearance D = 109 [4.29].
 Refer to external heatsink instructions document for additional details.

YASKAWA



UNITS MM [IN]

SCALE 1:6

DRWN.	J. MATTAS	7-19-22
CHKD.	J. PIOTROWSKI	8-3-22
TECH.	L. UDDIN	8-18-22
APRV.	J. CAIRO	8-17-22

TITLE	FP605 DIMENSION DRAWING FRAME SIZE 3 IP20/BACKSIDE TYPE 12 ENCLOSURE
-------	--

SIZE	A	PAGE	3 OF 3
DWG.NO.	DD.FP605.FR3.FLNG		

REV	0
-----	---