

(14) Mounting Holes for M6 [1/4"] Screws.

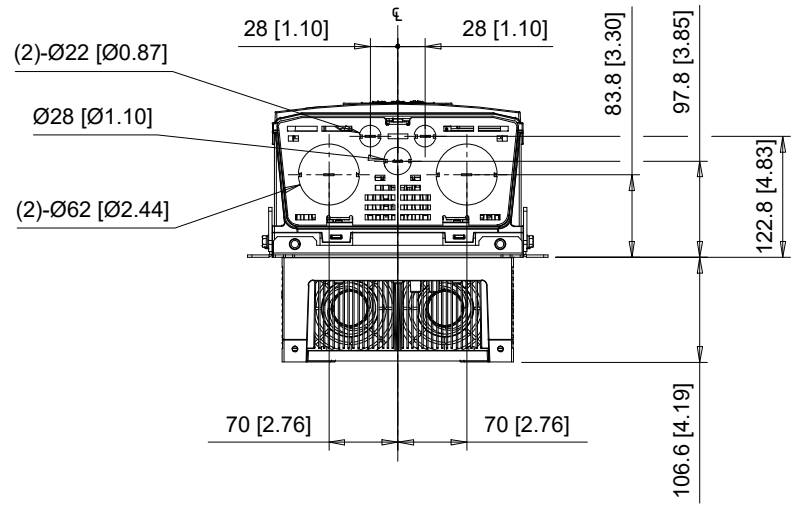
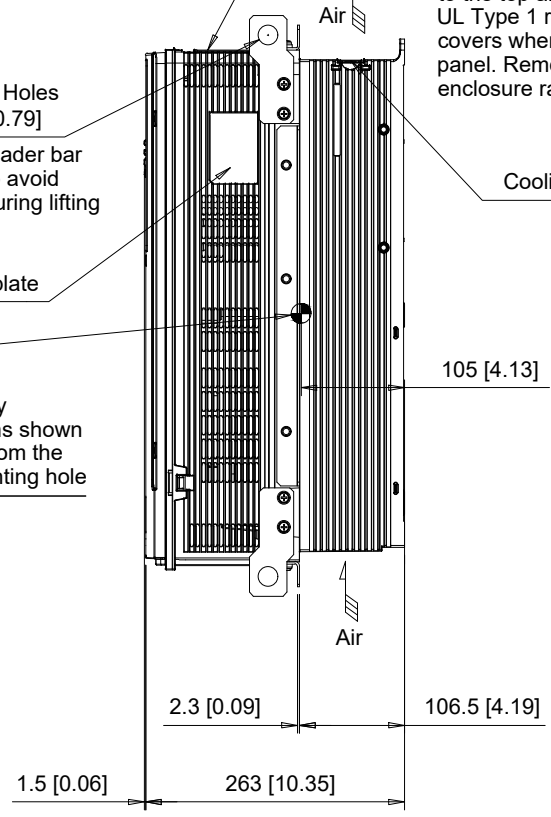
(4)-Lifting Holes Ø20 [Ø0.79]  
 Note: Spreader bar required to avoid damage during lifting

Center of Gravity  
 Note: Dimensions shown are measured from the bottom left mounting hole

Top Type 1 Protective Cover

Note: Protective covers are factory installed to the top and bottom of the drive to meet UL Type 1 requirements. Remove these covers when operating the drive within a panel. Removing these covers results in an enclosure rating of IP20.

Cooling fan location



The dimensions shown are for an IP20/Type 1 Drive that has been converted to an IP20/Backside Type 12 Drive by adding the parts from Type 12 heatsink external mounting kit number part number ZPSD-600-EH12-FR4

C/C: FP65□	INPUT VOLTAGE 3-PHASE (VAC)	WEIGHT Kg (lb)		COOLING FANS
		STANDARD	WITH EMC FILTER	
2075□□□	200 TO 240	25.6 (56.3)	25.6 (56.3)	2
2088□□□		25.6 (56.3)	25.6 (56.3)	2
2114□□□		28.6 (62.9)	28.6 (62.9)	2
4077□□□	380 TO 480	28.6 (62.9)	28.6 (62.9)	2
4096□□□		30.6 (67.3)	30.6 (67.3)	2
4124□□□		33.6 (73.9)	33.6 (73.9)	2

□ denotes A-Z

**YASKAWA**

UNITS MM [IN]  
 SCALE 1:8

DRWN. J. MATTAS 7-19-22  
 CHKD. J. PIOTROWSKI 8-3-22  
 TECH. L. UDDIN 8-18-22  
 APRV. J. CAIRO 8-17-22

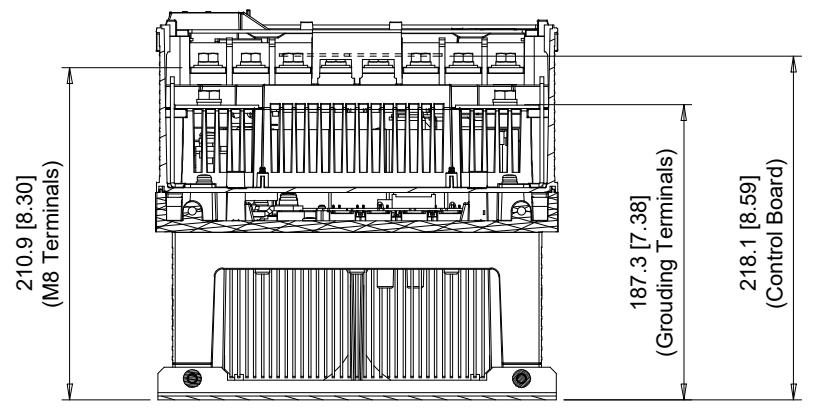
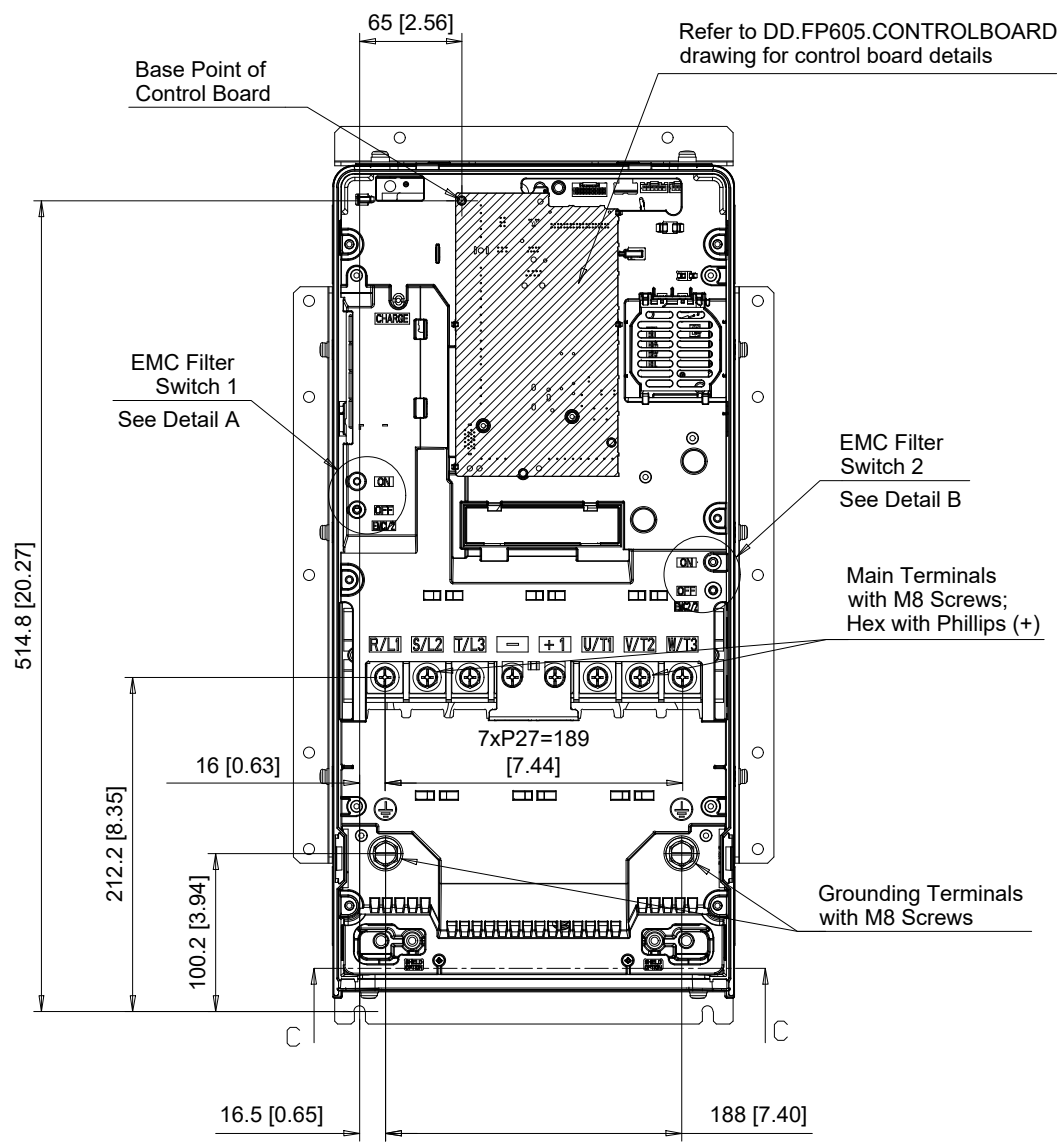
TITLE  
 FP605 DIMENSION DRAWING  
 FRAME SIZE 4  
 IP20/BACKSIDE TYPE 12 ENCLOSURE

SIZE A PAGE 1 OF 3  
 DWG.NO. DD.FP605.FR4.FLNG

REV 0

A B C D E F G H I J

1  
2  
3  
4  
5  
6  
7  
8



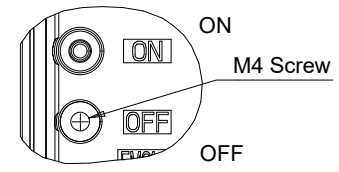
Section C-C

**EMC FILTER SWITCHES**

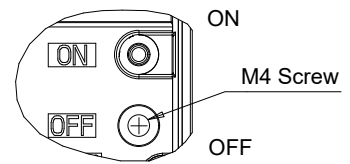
Note: EMC filter switches enabled only on models with built-in EMC filter

**EMC SW1**

**EMC SW2**



Detail A  
Scale 1:2



Detail B  
Scale 1:2

C/C: FP65□	TERMINAL SYMBOL	WIRE RANGE AWG (mm <sup>2</sup> )	TERMINAL SCREW	CLAMPING TORQUE N.m. (lb.in.)
2075□□□	R/L1, S/L2, T/L3	8 - 2/0 (10 - 70)	M8	6 (53)
2088□□□	U/T1, V/T2, W/T3	8 - 2/0 (10 - 70)	M8	6 (53)
2114□□□	-, +1	8 - 2/0 (10 - 70)	M8	6 (53)
4077□□□	⊕	8 - 2/0 (10 - 70)	M8	9 - 11 (79.7 - 97.4)
4096□□□				
4124□□□				

□ Denotes A-Z

Note: Refer to applicable codes and standards for proper wire type and size.

**YASKAWA**

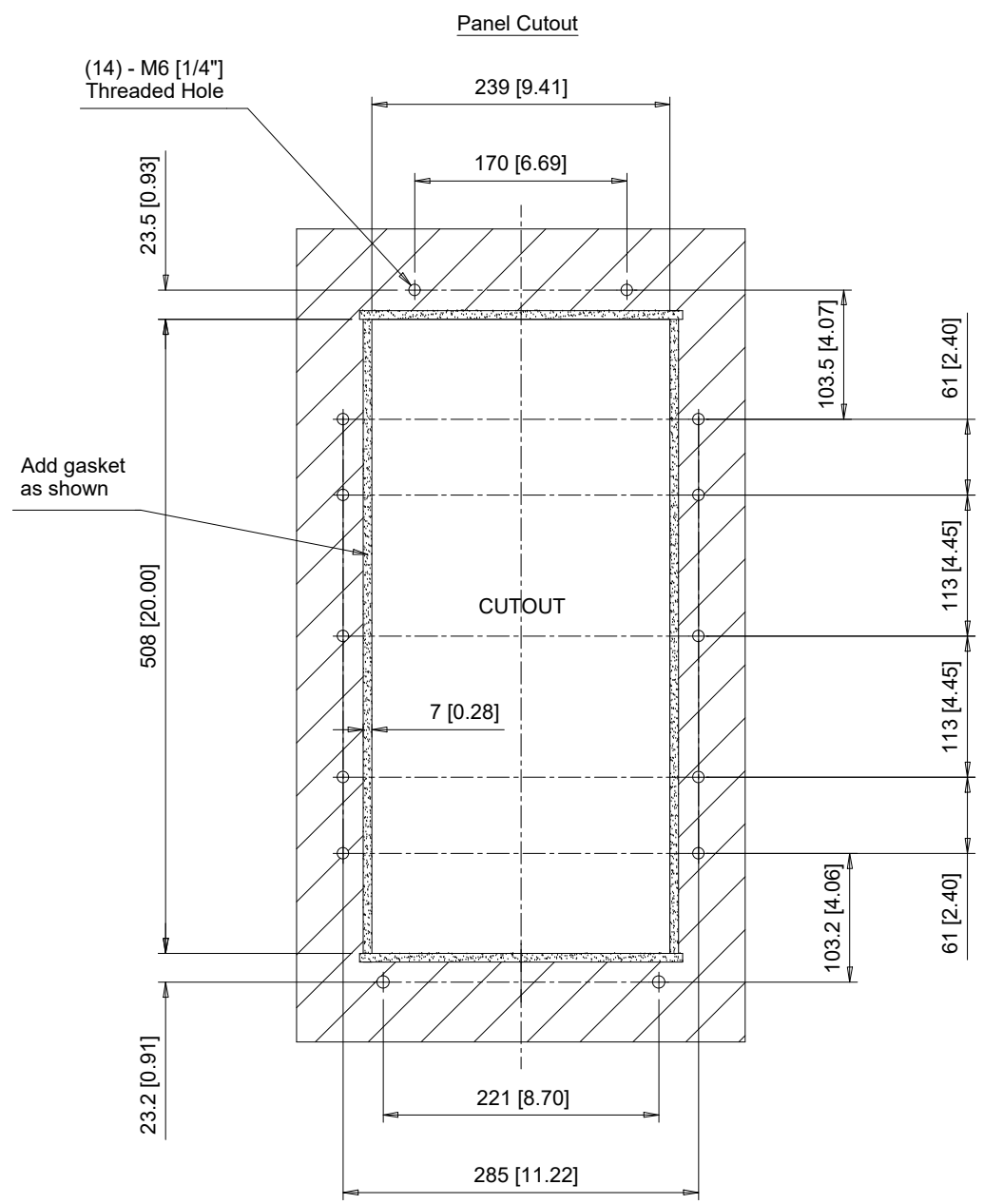
UNITS MM [IN]  
SCALE 1:5

DRWN. J. MATTAS 7-19-22  
CHKD. J. PIOTROWSKI 8-3-22  
TECH. L. UDDIN 8-18-22  
APRV. J. CAIRO 8-17-22

TITLE  
FP605 DIMENSION DRAWING  
FRAME SIZE 4  
IP20/BACKSIDE TYPE 12 ENCLOSURE

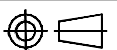
SIZE A PAGE 2 OF 3  
DWG.NO. DD.FP605.FR4.FLNG

REV 0



Notes:  
Exposed heatsink minimum clearance D = 112 [4.41].  
Refer to external heatsink instructions document for additional details.

**YASKAWA**

  
 UNITS MM [IN]  
 SCALE 1:6

DRWN.	J. MATTAS	7-19-22
CHKD.	J. PIOTROWSKI	8-3-22
TECH.	L. UDDIN	8-18-22
APRV.	J. CAIRO	8-17-22

TITLE	FP605 DIMENSION DRAWING FRAME SIZE 4 IP20/BACKSIDE TYPE 12 ENCLOSURE
-------	--

SIZE	A	PAGE	3 OF 3
DWG.NO.	DD.FP605.FR4.FLNG		

REV	0
-----	---