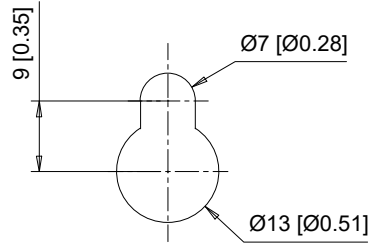
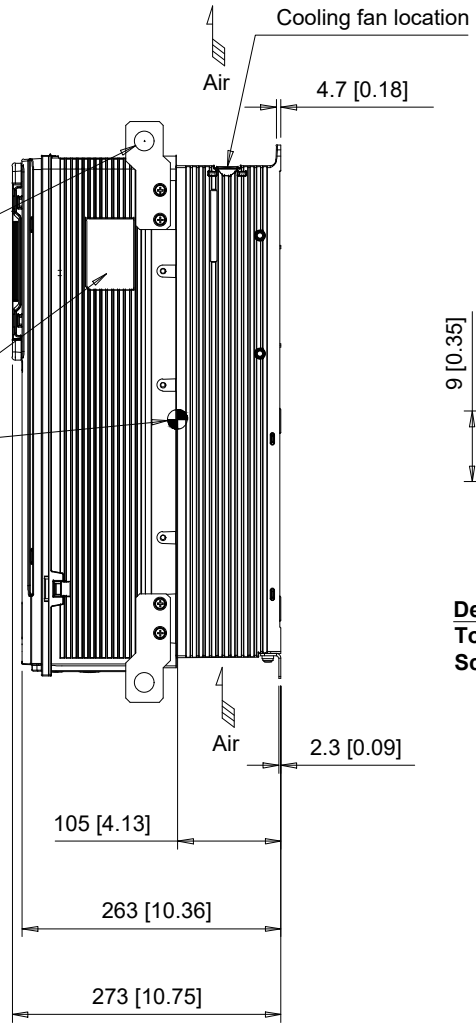


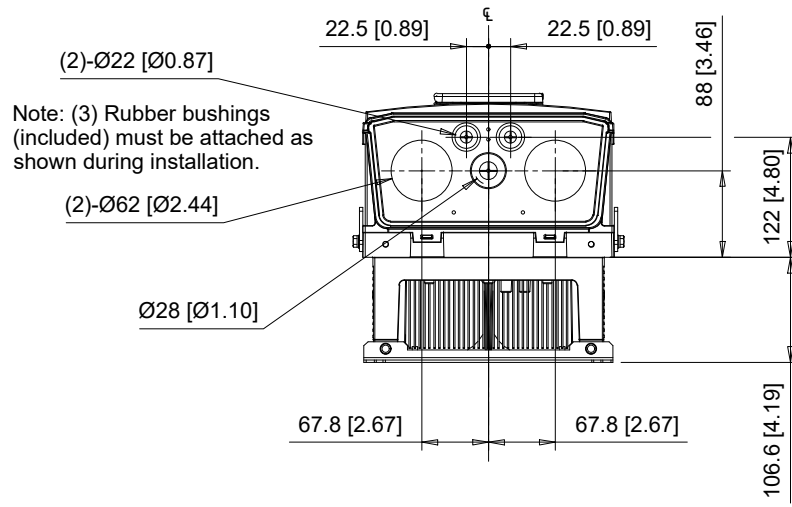
(4) Mounting Holes for M6 [1/4] Screws. See Detail A for top mounting hole dimensions.

(4)-Lifting Holes $\varnothing 20$ [$\varnothing 0.79$]
 Note: Spreader bar required to avoid damage during lifting

Center of Gravity
 Note: Dimensions shown are measured from the bottom left mounting hole



Detail A
 Top mounting hole dimensions
 Scale 1:1



C/C: FP65□	INPUT VOLTAGE 3-PHASE (VAC)	WEIGHT Kg (lb)		COOLING FANS
		STANDARD	WITH EMC FILTER	
2075□□□	200 TO 240	25 (55.1)	25 (55.1)	2
2088□□□		25 (55.1)	25 (55.1)	2
2114□□□		28 (61.7)	28 (61.7)	2
4077□□□	380 TO 480	28 (61.7)	28 (61.7)	2
4096□□□		30 (66.1)	30 (66.1)	2
4124□□□		33 (72.8)	33 (72.8)	2

□ denotes A-Z

YASKAWA

UNITS MM [IN]
 SCALE 1:8

DRWN. J. MATTAS 3-28-22
 CHKD. J. PIOTROWSKI 3-30-22
 TECH. L. UDDIN 4-3-22
 APRV. J. CAIRO 4-21-22

TITLE
 FP605 DIMENSION DRAWING
 FRAME SIZE 4
 IP55/UL TYPE 12 ENCLOSURE

SIZE A PAGE 1 OF 3
 DWG.NO. DD.FP605.FR4.T12

REV 0

A B C D E F G H I J

1

2

3

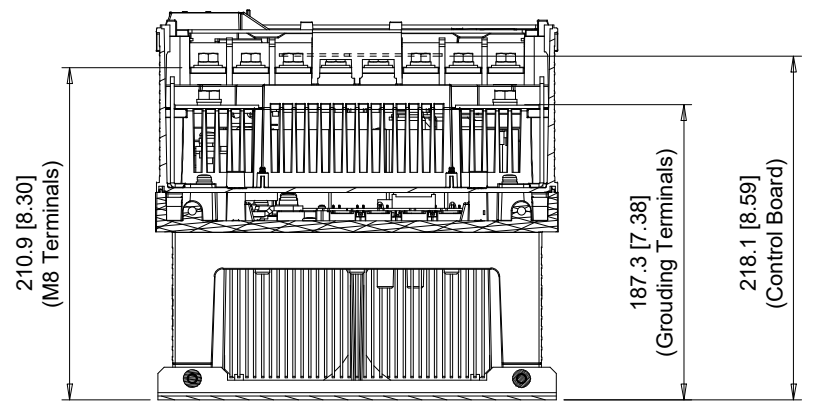
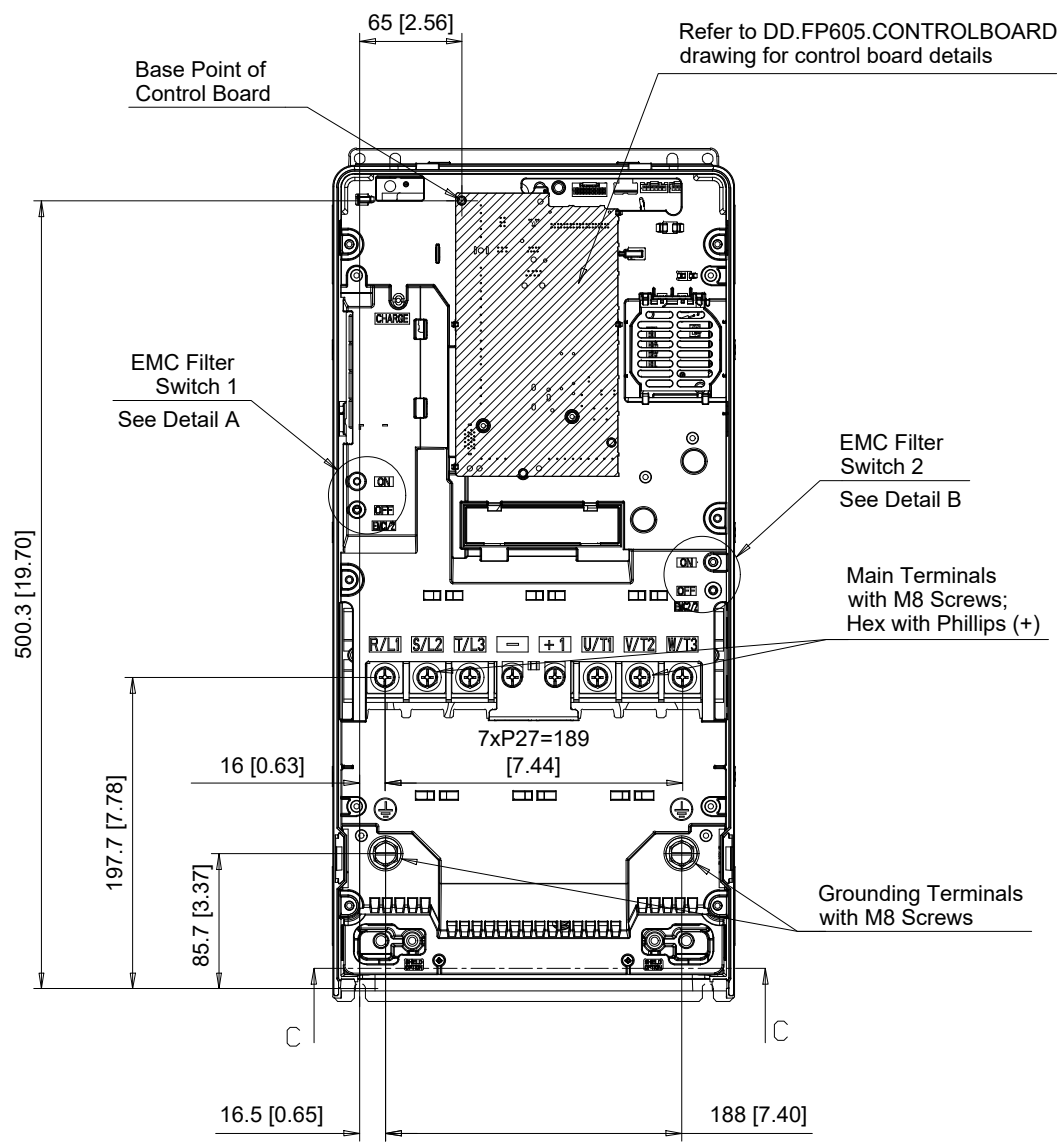
4

5

6

7

8



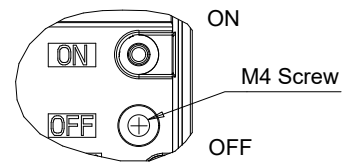
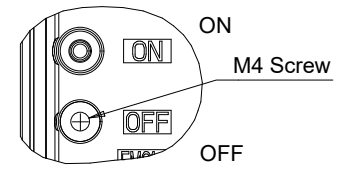
Section C-C

EMC FILTER SWITCHES

Note: EMC filter switches enabled only on models with built-in EMC filter

EMC SW1

EMC SW2



Detail A
Scale 1:2

Detail B
Scale 1:2

C/C: FP65□	TERMINAL SYMBOL	WIRE RANGE AWG (mm ²)	TERMINAL SCREW	CLAMPING TORQUE N.m. (lb.in.)
2075□□□	R/L1, S/L2, T/L3	8 - 2/0 (10 - 70)	M8	6 (53)
2088□□□	U/T1, V/T2, W/T3	8 - 2/0 (10 - 70)	M8	6 (53)
2114□□□	-, +1	8 - 2/0 (10 - 70)	M8	6 (53)
4077□□□	⊕	8 - 2/0 (10 - 70)	M8	9 - 11 (79.7 - 97.4)
4096□□□				
4124□□□				

□ Denotes A-Z

Note: Refer to applicable codes and standards for proper wire type and size.

YASKAWA

UNITS MM [IN]
SCALE 1:5

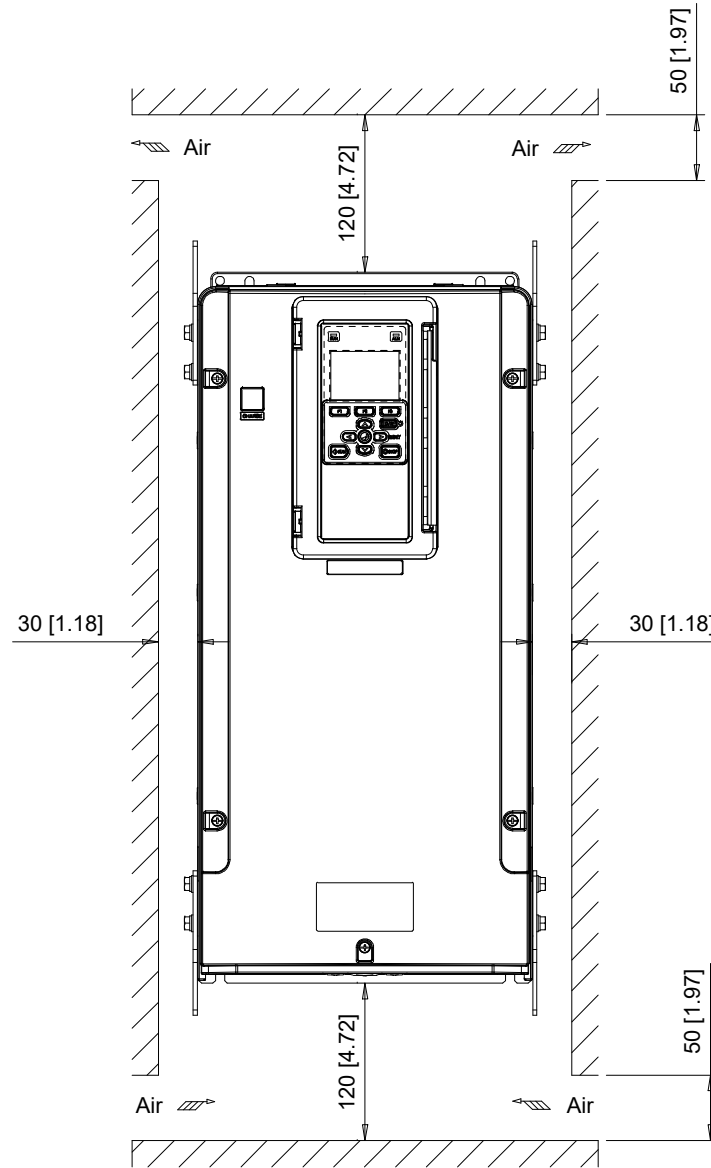
DRWN. J. MATTAS 3-28-22
CHKD. J. PIOTROWSKI 3-30-22
TECH. L. UDDIN 4-3-22
APRV. J. CAIRO 4-21-22

TITLE
FP605 DIMENSION DRAWING
FRAME SIZE 4
IP55/UL TYPE 12 ENCLOSURE

SIZE A PAGE 2 OF 3
DWG.NO. DD.FP605.FR4.T12

REV 0

Minimum Installation Clearances



Note:
For alternate mounting configurations, consult manual.

YASKAWA

UNITS MM [IN]
SCALE 1:6

DRWN.	J. MATTAS	3-28-22
CHKD.	J. PIOTROWSKI	3-30-22
TECH.	L. UDDIN	4-3-22
APRV.	J. CAIRO	4-21-22

TITLE
FP605 DIMENSION DRAWING
FRAME SIZE 4
IP55/UL TYPE 12 ENCLOSURE

SIZE A	PAGE 3 OF 3
DWG.NO. DD.FP605.FR4.T12	

REV
0