

NOTES:

- A. FOR REFERENCE ONLY UNLESS PROPERLY ENDORSED. FOR ADDITIONAL DETAILS AND SPECIFICATIONS, CONSULT WITH YASKAWA AMERICA INC.
- B. DIMENSIONS ARE IN INCHES [MILLIMETERS].
- C. HATCHED AREA INDICATES PERMISSIBLE CONDUIT ENTRANCE AREA.

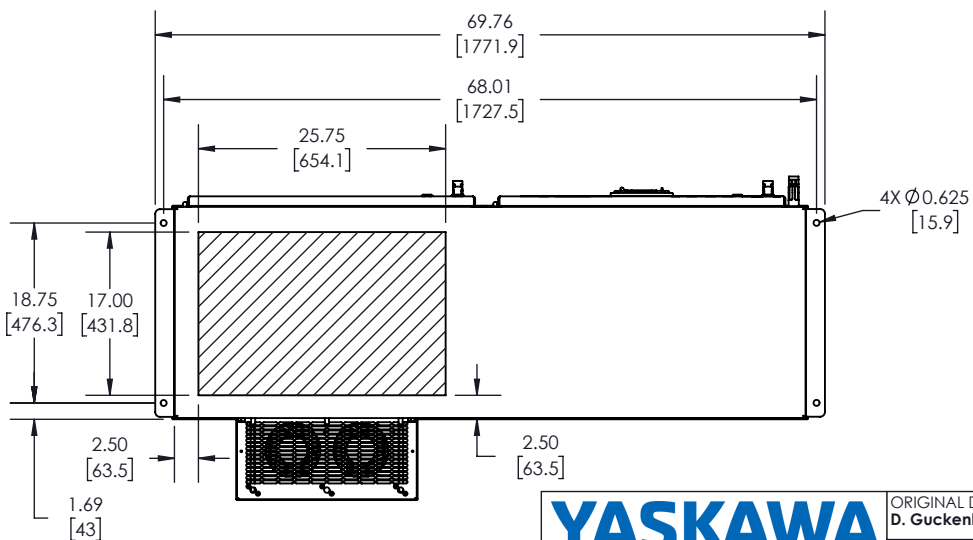
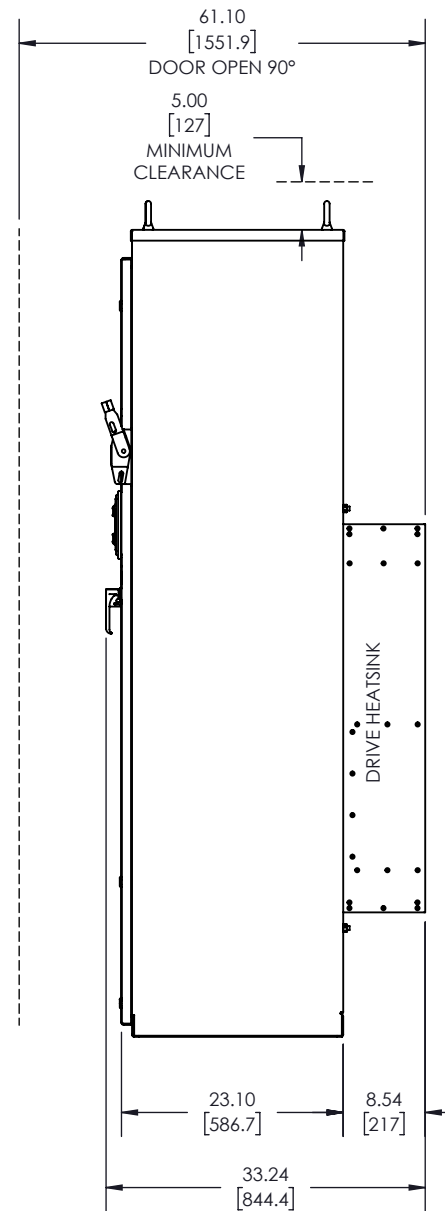
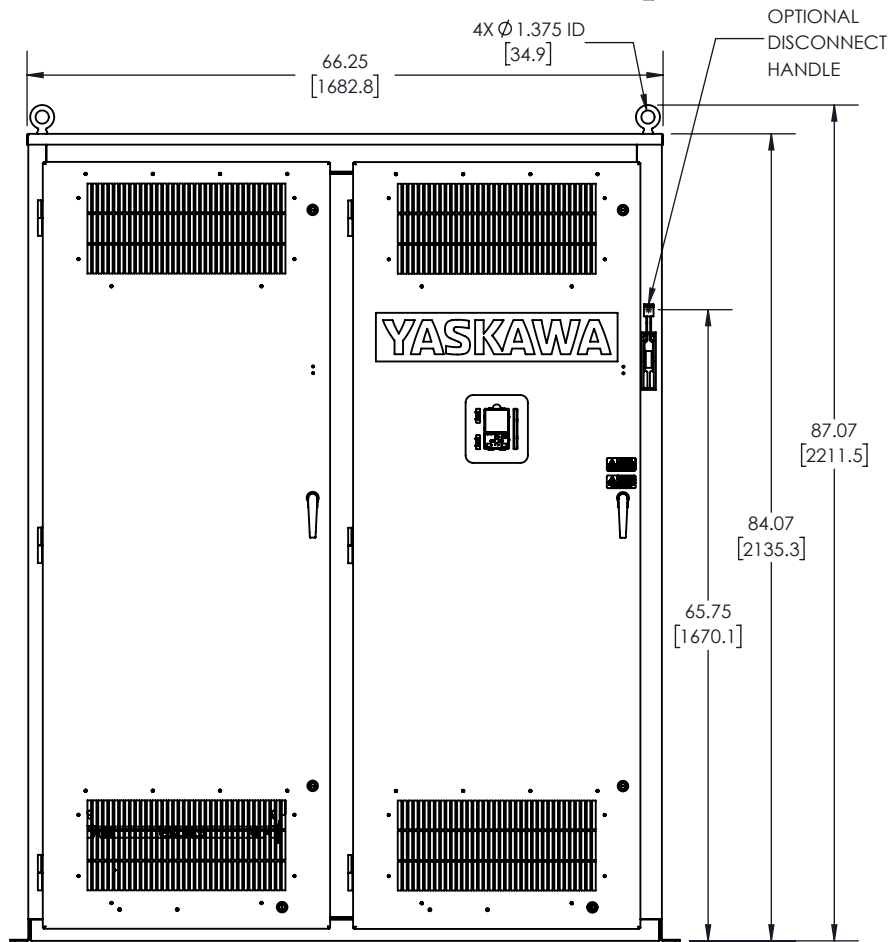
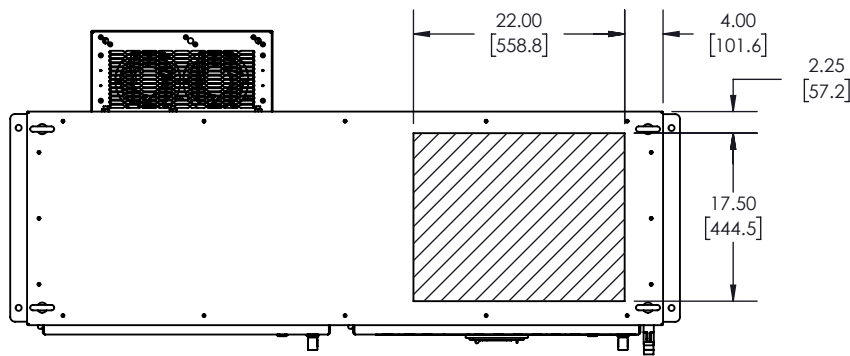
**YASKAWA**

THIS DOCUMENT AND INFORMATION CONTAINED IN IT ARE CONFIDENTIAL AND CANNOT BE COPIED OR DISCLOSED IN WHOLE OR IN PART WITHOUT THE EXPRESS WRITTEN CONSENT OF YASKAWA AMERICA INC.

UNITS: INCHES      SCALE: NONE

ORIGINAL DESIGN: <b>D. Guckenberger</b>	DATE: <b>10/28/2019</b>
DRAWN: <b>D. Guckenberger</b>	DATE: <b>10/28/2019</b>
CHECKED: <b>A. Jandrin</b>	DATE: <b>10/28/2019</b>
APPROVED: <b>K. Flierl</b>	DATE: <b>10/28/2019</b>

TITLE: <b>DIMENSION DRAWING, GA800, F2, TYPE 1</b>		
SIZE: <b>A</b>	REVISION: <b>00</b>	PAGE: <b>1 OF 2</b>
DRAWING #:		



**YASKAWA**

THIS DOCUMENT AND INFORMATION CONTAINED IN IT ARE CONFIDENTIAL AND CANNOT BE COPIED OR DISCLOSED IN WHOLE OR IN PART WITHOUT THE EXPRESS WRITTEN CONSENT OF YASKAWA AMERICA, INC.

UNITS: INCHES      SCALE: NONE

ORIGINAL DESIGN:  
D. Guckenberger

DRAWN:  
D. Guckenberger

CHECKED:  
A. Jandrin

APPROVED:  
K. Flierl

DATE:  
10/28/2019

DATE:  
10/28/2019

DATE:  
10/28/2019

DATE:  
10/28/2019

TITLE:  
**DIMENSION DRAWING,  
GA800, F2, TYPE 1**

SIZE: A	REVISION: 00	PAGE: 2 OF 2
------------	-----------------	-----------------

DRAWING #: