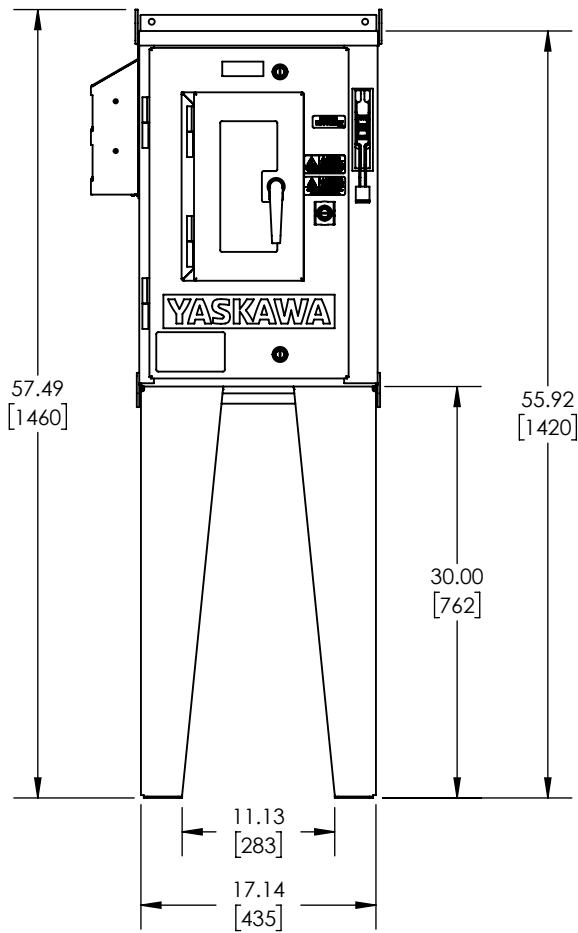


- NOTES:
- A. FOR REFERENCE ONLY UNLESS PROPERLY ENDORSED. FOR ADDITIONAL DETAILS AND SPECIFICATIONS, CONSULT FACTORY.
 - B. DIMENSIONS ARE IN INCHES [MILLIMETERS].
 - C. HATCHED AREA INDICATES PERMISSIBLE CONDUIT ENTRANCE AREA.
 - D. FANS, FILTERS, LEG STANDS OR CLOSING PLATES ARE SUPPLIED WHEN OPTION MIX NECESSITATES.
 - E. USE APPROPRIATE TYPE RATED HUBS OR FITTINGS TO MAINTAIN ENCLOSURE RATING.

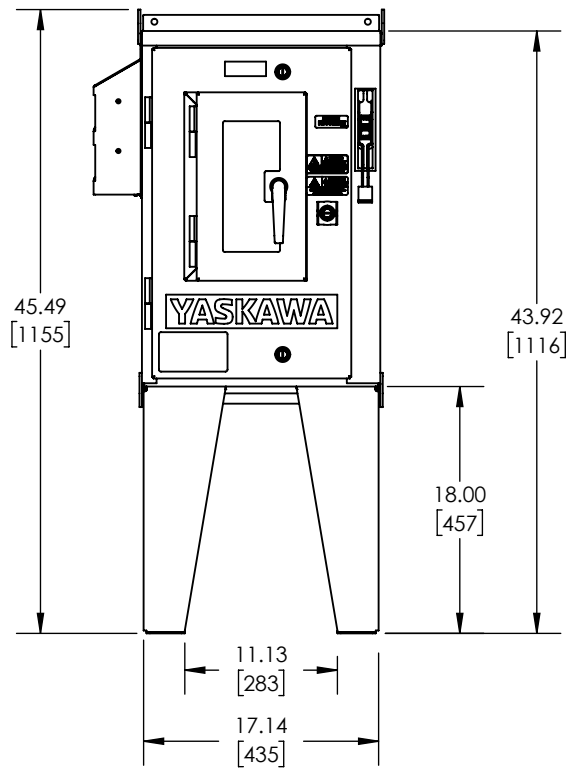
shawn_stugard Monday, January 21, 2019 1:07:58 PM

YASKAWA	DRAWN: P. Johnson	DATE 08/13/2018	TITLE: DIMENSION DRAWING, GA800, TYPE 3R, W1		
	CHECKED: D. Guckenberger	DATE 08/16/2018	MATERIAL# ---		
THIS DOCUMENT AND INFORMATION CONTAINED IN IT ARE CONFIDENTIAL, AND CANNOT BE COPIED OR DISCLOSED IN WHOLE OR IN PART WITHOUT THE EXPRESS WRITTEN CONSENT OF YASKAWA AMERICA INC.	TECH:	DATE	SIZE A	REVISION 01	PAGE 1 OF 2
	APPROVED: K. Flierl	DATE 08/20/2018	DRAWING #: DD.G.3R.W1.01		
	ORIGINAL DESIGN: P. Johnson	DATE 08/13/2018			

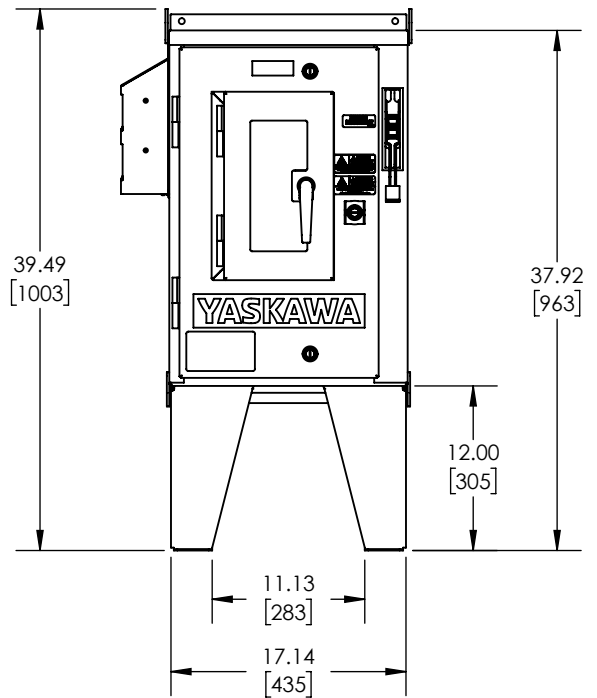
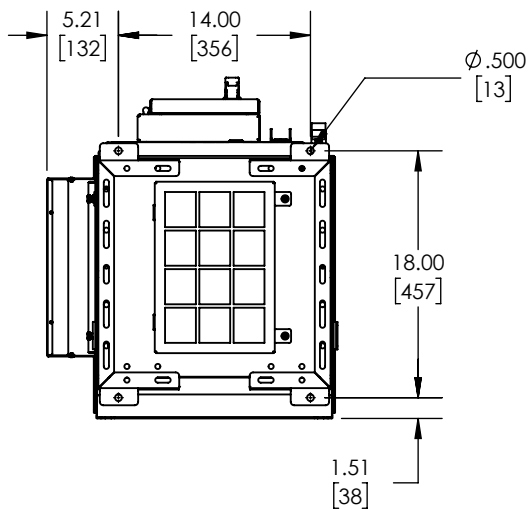
LEG STAND MOUNTING OPTION DIMENSIONS



30.0" HIGH LEGS




18.0" HIGH LEGS



12.0" HIGH LEGS

NOTE: DRILL PATTERN SAME FOR 12", 18" AND 30" HIGH LEGS

shawn_stugard Monday, January 21, 2019 1:07:58 PM

 <p><i>THIS DOCUMENT AND INFORMATION CONTAINED IN IT ARE CONFIDENTIAL, AND CANNOT BE COPIED OR DISCLOSED IN WHOLE OR IN PART WITHOUT THE EXPRESS WRITTEN CONSENT OF YASKAWA AMERICA INC.</i></p>	DRAWN: P. Johnson	DATE: 08/13/2018	TITLE: DIMENSION DRAWING, GA800, TYPE 3R, W1		
	CHECKED: D. Guckenberger	DATE: 08/16/2018	MATERIAL# ---		
	APPROVED: K. Flierl	DATE: 08/20/2018	SIZE A	REVISION 01	PAGE 2 OF 2
	ORIGINAL DESIGN: P. Johnson	DATE: 08/13/2018	DRAWING #: DD.G.3R.W1.01		