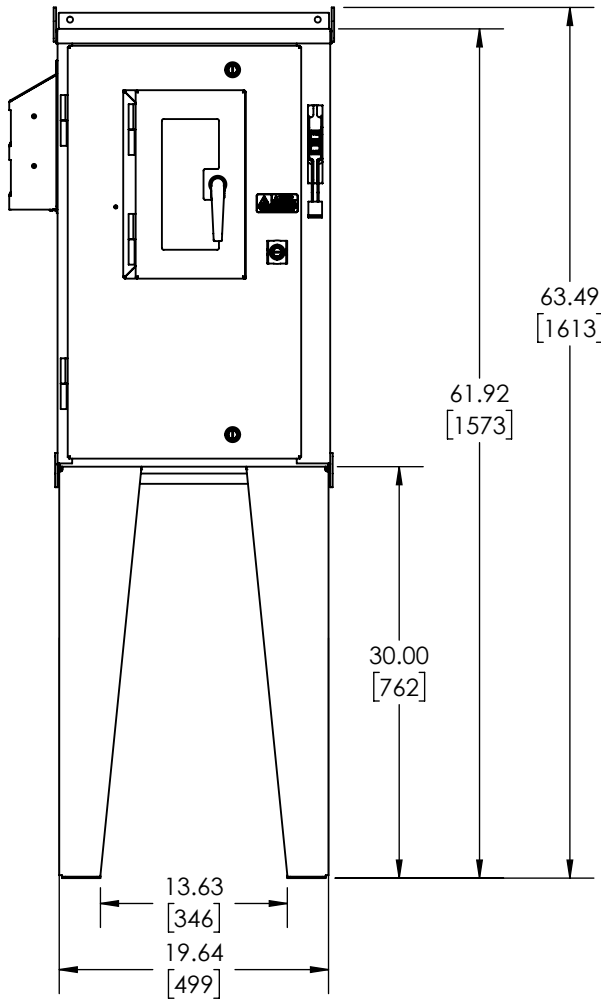


- NOTES:
- A. FOR REFERENCE ONLY UNLESS PROPERLY ENDORSED. FOR ADDITIONAL DETAILS AND SPECIFICATIONS, CONSULT FACTORY.
 - B. DIMENSIONS ARE IN INCHES [MILLIMETERS].
 - C. HATCHED AREA INDICATES PERMISSIBLE CONDUIT ENTRANCE AREA.
 - D. FANS, FILTERS, LEG STANDS OR CLOSING PLATES ARE SUPPLIED WHEN OPTION MIX NECESSITATES.
 - E. USE APPROPRIATE TYPE RATED HUBS OR FITTINGS TO MAINTAIN ENCLOSURE RATING.

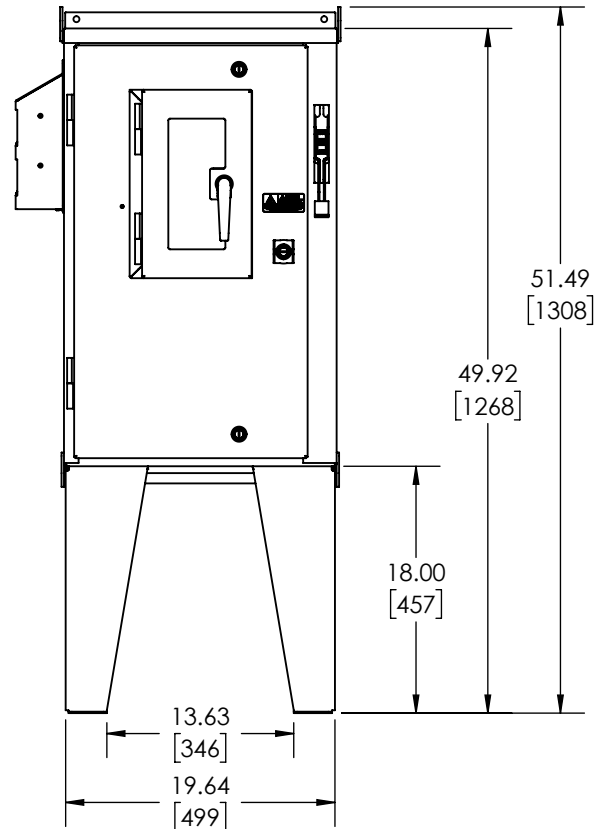
shawn_stugard Monday, January 21, 2019 1:42:13 PM

YASKAWA	DRAWN: P. Johnson	DATE 08/14/2018	TITLE: DIMENSION DRAWING, GA800, TYPE 3R, W2		
	CHECKED: D. Guckenberger	DATE 08/16/2018			
<i>THIS DOCUMENT AND INFORMATION CONTAINED IN IT ARE CONFIDENTIAL, AND CANNOT BE COPIED OR DISCLOSED IN WHOLE OR IN PART WITHOUT THE EXPRESS WRITTEN CONSENT OF YASKAWA AMERICA INC.</i>	TECH:	DATE	MATERIAL#		
	APPROVED: K. Flierl	DATE 08/20/2018	SIZE A	REVISION 01	PAGE 1 OF 2
	ORIGINAL DESIGN: P. Johnson	DATE 08/14/2018	DRAWING #: DD.G.3R.W2.01		

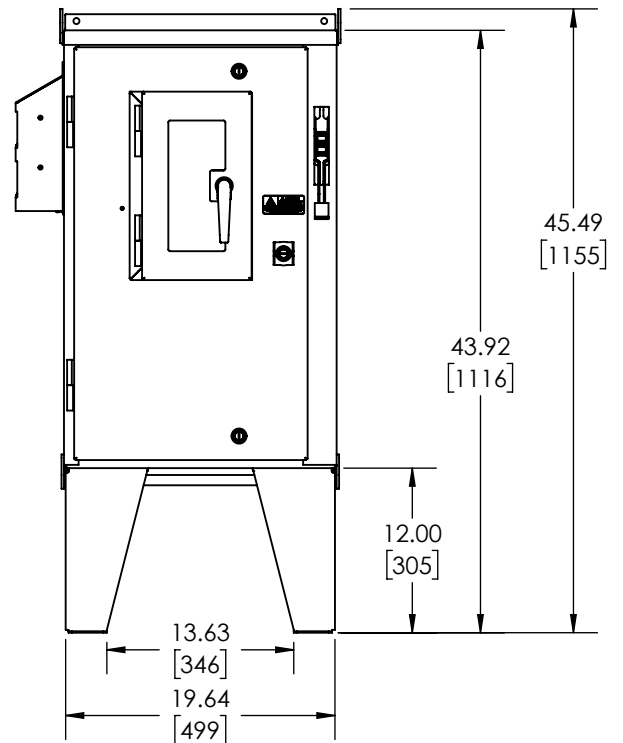
LEG STAND MOUNTING OPTION DIMENSIONS



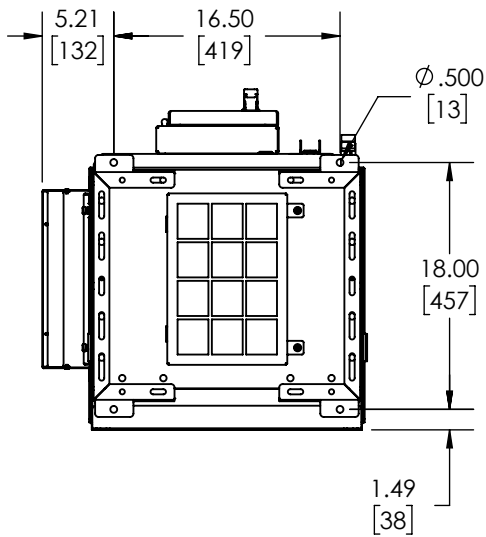
30.0" HIGH LEGS



18.0" HIGH LEGS



12.0" HIGH LEGS



NOTE: DRILL PATTERN SAME FOR 12", 18" AND 30" HIGH LEGS

shawn_stugard Monday, January 21, 2019 1:42:13 PM

YASKAWA	DRAWN: P. Johnson	DATE 08/14/2018	TITLE: DIMENSION DRAWING, GA800, TYPE 3R, W2		
	CHECKED: D. Guckenberger	DATE 08/16/2018			
<i>THIS DOCUMENT AND INFORMATION CONTAINED IN IT ARE CONFIDENTIAL, AND CANNOT BE COPIED OR DISCLOSED IN WHOLE OR IN PART WITHOUT THE EXPRESS WRITTEN CONSENT OF YASKAWA AMERICA INC.</i>	TECH:	DATE	MATERIAL#		
	APPROVED: K. Flierl	DATE 08/20/2018	SIZE A	REVISION 01	PAGE 2 OF 2
	ORIGINAL DESIGN: P. Johnson	DATE 08/14/2018	DRAWING #: DD.G.3R.W2.01		