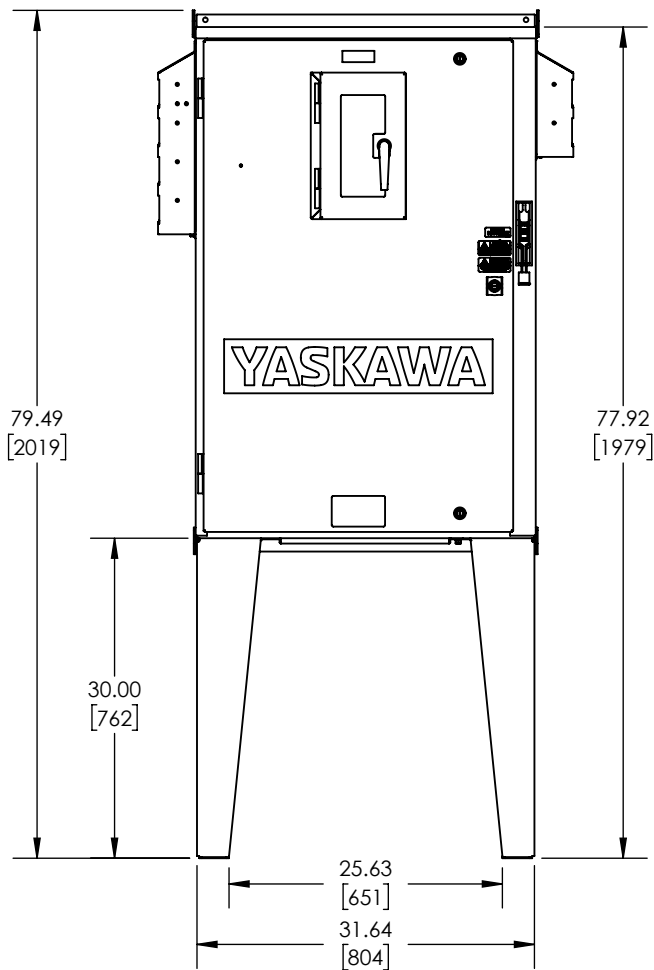


- NOTES:
- A. FOR REFERENCE ONLY UNLESS PROPERLY ENDORSED. FOR ADDITIONAL DETAILS AND SPECIFICATIONS, CONSULT FACTORY.
 - B. DIMENSIONS ARE IN INCHES [MILLIMETERS].
 - C. HATCHED AREA INDICATES PERMISSIBLE CONDUIT ENTRANCE AREA.
 - D. FANS, FILTERS, LEG STANDS OR CLOSING PLATES ARE SUPPLIED WHEN OPTION MIX NECESSITATES.
 - E. USE APPROPRIATE TYPE RATED HUBS OR FITTINGS TO MAINTAIN ENCLOSURE RATING.

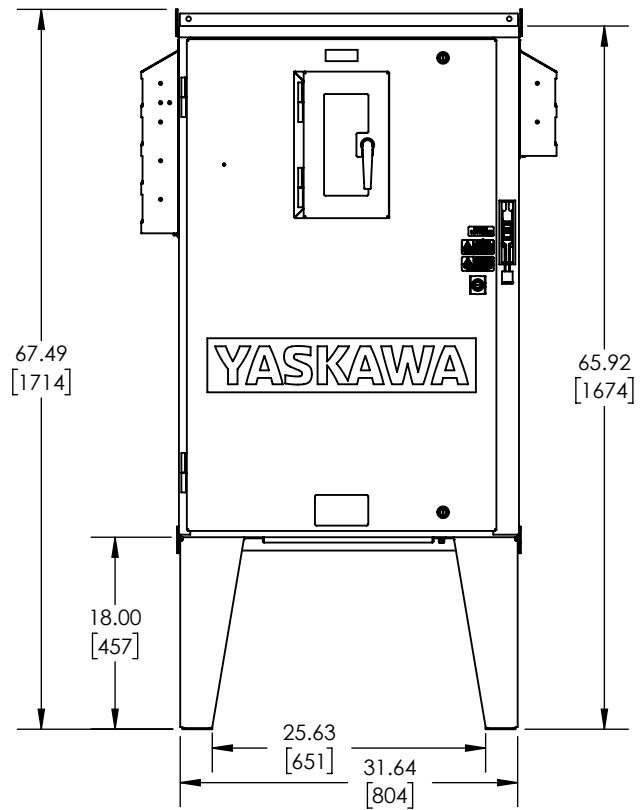
shawn_stugard Monday, January 21, 2019 2:25:23 PM

YASKAWA	DRAWN: P. Johnson CHECKED: D. Guckenberger TECH:	DATE 08/15/2018 DATE 08/17/2018 DATE	TITLE: DIMENSION DRAWING, GA800, TYPE 3R, W4	
	APPROVED: K. Flierl ORIGINAL DESIGN: P. Johnson		DATE 08/20/2018 DATE 08/15/2018	MATERIAL# --- SIZE A REVISION 01 DRAWING #: DD.G.3R.W4.01
THIS DOCUMENT AND INFORMATION CONTAINED IN IT ARE CONFIDENTIAL, AND CANNOT BE COPIED OR DISCLOSED IN WHOLE OR IN PART WITHOUT THE EXPRESS WRITTEN CONSENT OF YASKAWA AMERICA INC.			PAGE 1 OF 2	

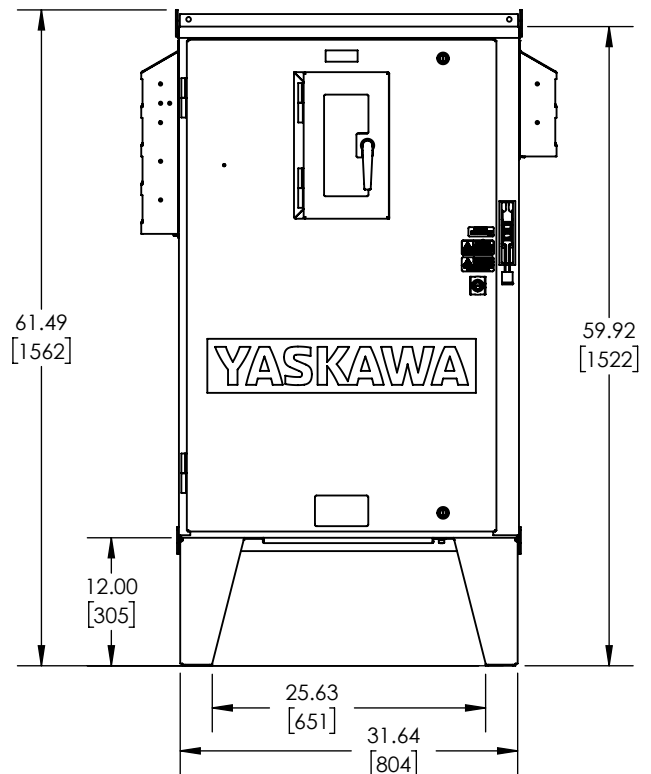
LEG STAND MOUNTING OPTION DIMENSIONS



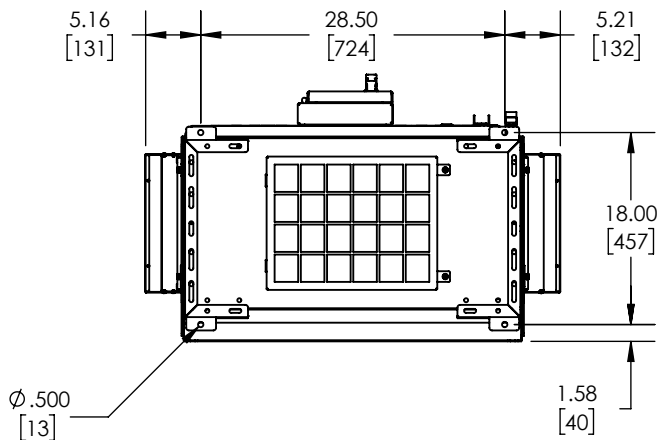
30.0" HIGH LEGS



18.0" HIGH LEGS




12.0" HIGH LEGS



NOTE: DRILL PATTERN SAME FOR 12", 18" AND 30" HIGH LEGS

shawn_stugard Monday, January 21, 2019 2:25:23 PM

 <p><i>THIS DOCUMENT AND INFORMATION CONTAINED IN IT ARE CONFIDENTIAL, AND CANNOT BE COPIED OR DISCLOSED IN WHOLE OR IN PART WITHOUT THE EXPRESS WRITTEN CONSENT OF YASKAWA AMERICA INC.</i></p>	DRAWN: P. Johnson DATE: 08/15/2018	TITLE: DIMENSION DRAWING, GA800, TYPE 3R, W4		
	CHECKED: D. Guckenberger DATE: 08/17/2018	MATERIAL# ---		
	APPROVED: K. Flierl DATE: 08/20/2018	SIZE A	REVISION 01	PAGE 2 OF 2
	ORIGINAL DESIGN: P. Johnson DATE: 08/15/2018	DRAWING #: DD.G.3R.W4.01		