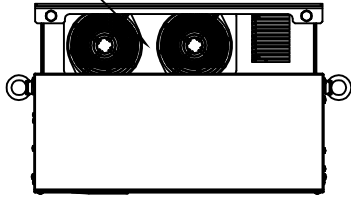
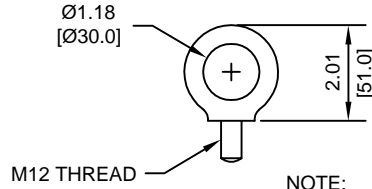


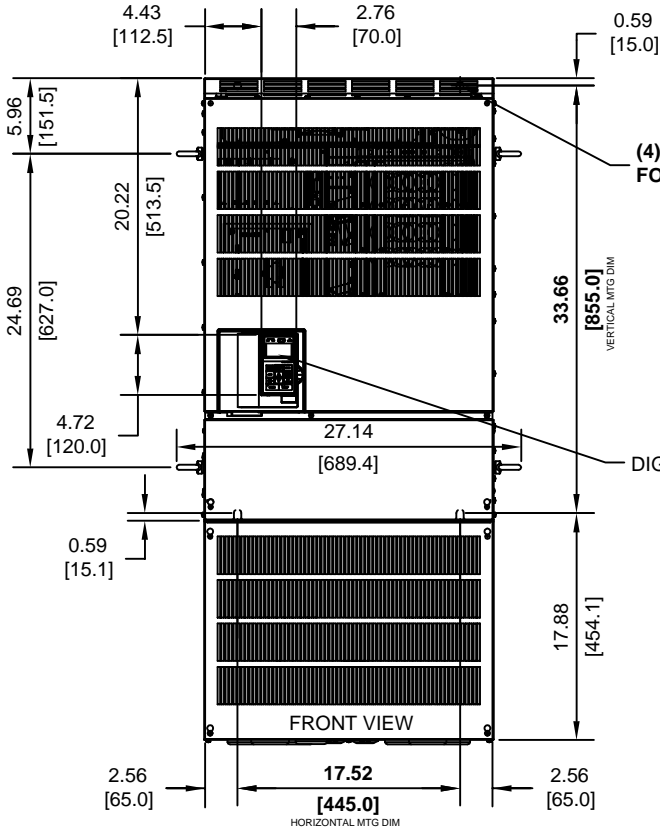
(2) EXTERNAL COOLING FANS



LIFTING AND EYEBOLT DETAILS



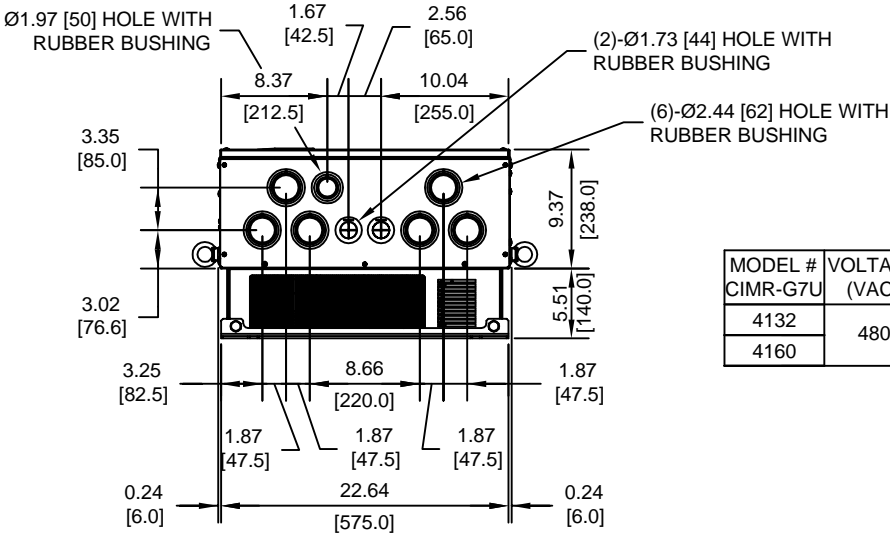
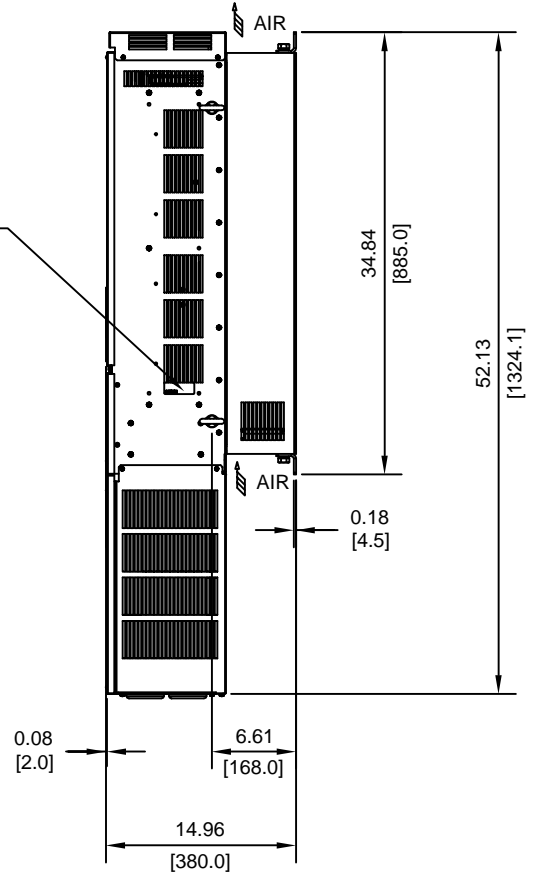
NOTE:  
SPREADER BAR REQUIRED TO AVOID DAMAGE DURING LIFTING



(4)-MOUNTING HOLES FOR 1/2" [M12] SCREWS

NAMEPLATE

DIGITAL OPERATOR



MODEL #	VOLTAGE CIMR-G7U (VAC)	OUTPUT CURRENT (A)	WEIGHT LBS (Kg)	HEAT LOSS (W)		
				INT	EXT	TOTAL
4132	480	270	385 (175)	1105	2612	3717
4160		302	407 (185)	1501	3614	5115

INT=INTERNAL COMPONENTS  
EXT=EXTERNAL HEATSINK

FOR ADDITIONAL DETAILS AND SPECIFICATIONS, CONSULT MANUAL

TOLERANCES/REFERENCES:

UNITS: IN[mm]

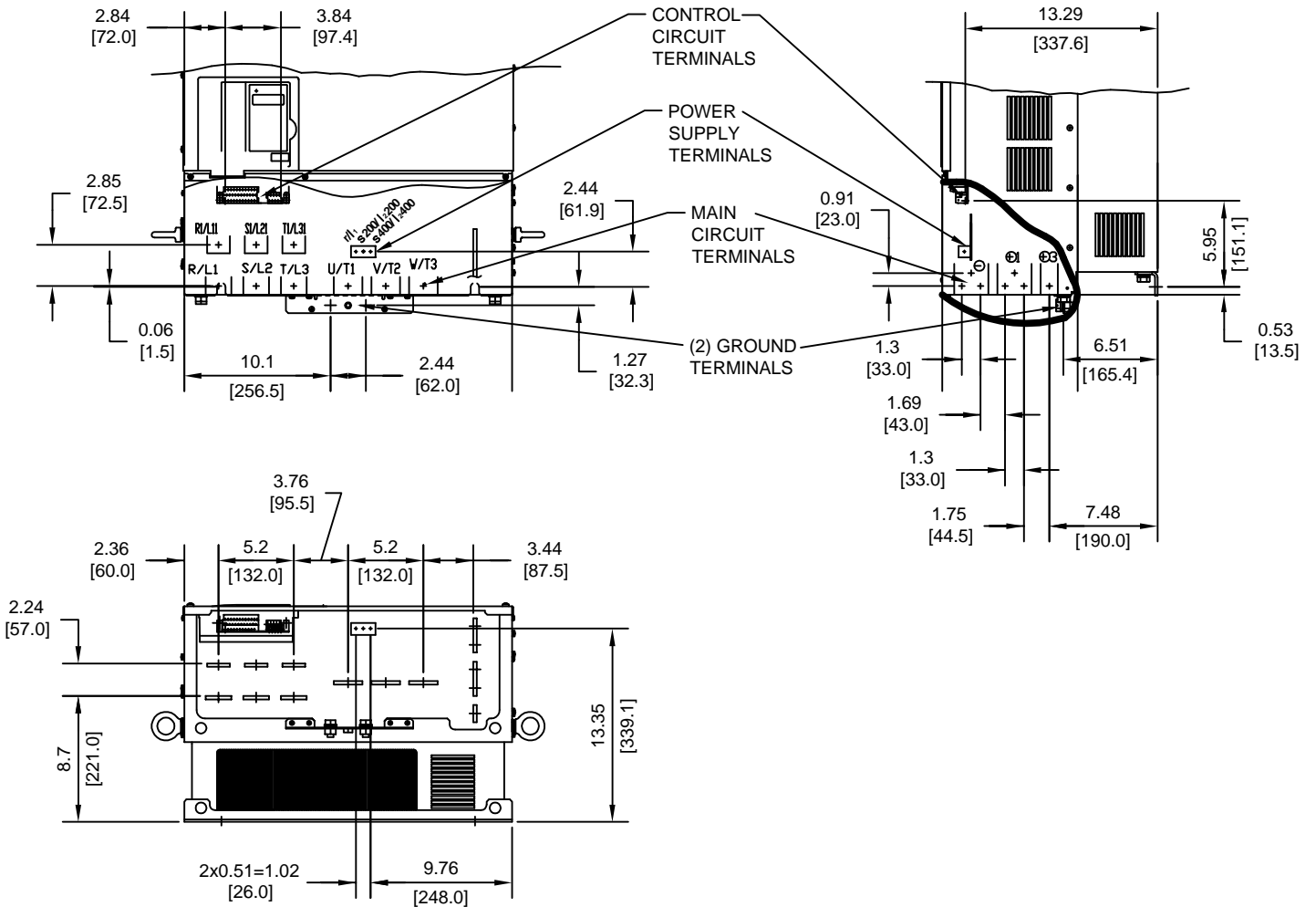
SCALE: 1:15

**YASKAWA**  
A World of Automation Solutions™

YASKAWA ELECTRIC AMERICA, INC.  
Corporate Headquarters  
2121 Norman Drive South  
Waukegan, IL 60085  
1-800-YASKAWA  
http://www.yaskawa.com

DRAWN: J. MATTAS	DATE 3-1-04	TITLE: G7 DIMENSION DRAWING	
CHECKED: E. KU	DATE 4-4-04	FRAME SIZE 13	
TECH: J. CAIRO	DATE 4-2-04	NEMA TYPE 1/IP20 ENCLOSURE	
APPROVED: T. SASADA	DATE 4-7-04	SIZE A	REVISION R01
ORIGINAL DESIGN: -	DATE -	PAGE 1 of 3	
DRAWING #: <b>DD.G7.FR13.N1.01</b>			

TERMINAL AND WIRING DETAILS (SCALE 1:12)



TERMINAL SPECIFICATIONS FOR  
MAIN CIRCUIT AND GROUND

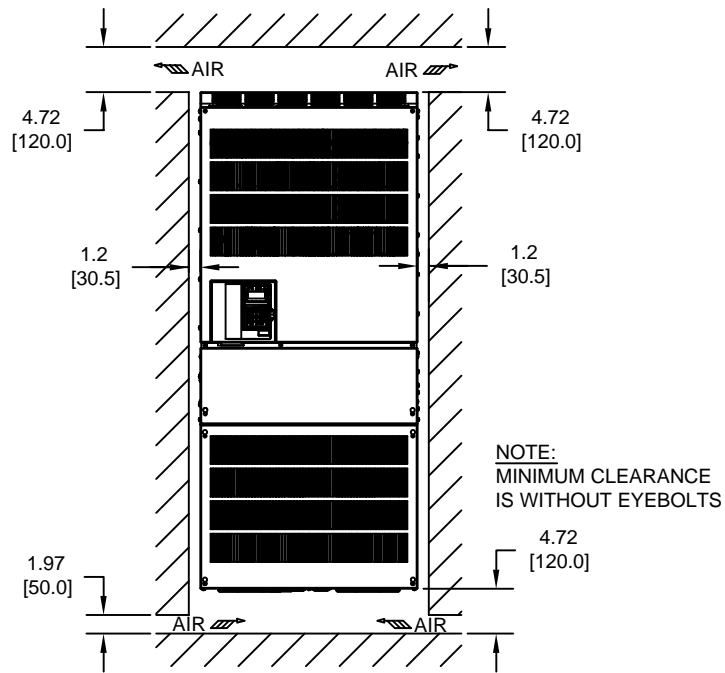
MODEL # CIMR-G7U	TERMINAL SYMBOL	TERMINAL SCREW	CLAMPING TORQUE lb.in.(N.m.)
4132	R/L1, S/L2, T/L3, ⊕1, ⊕2, U/T1, V/T2, W/T3, R1/L11, S1/L21, T1/L31	M12	276 TO 345 (31.4 TO 39.2)
	⊕3	M8	78.0 TO 95.0 (8.8 TO 10.8)
	r1, s200, 2200, s400, 2400	M4	11.4 TO 12.3 (1.3 TO 1.4)
4160	R/L1, S/L2, T/L3, ⊕1, ⊕2, U/T1, V/T2, W/T3, R1/L11, S1/L21, T1/L31	M12	276 TO 345 (31.4 TO 39.2)
	⊕	M8	78.0 TO 95.0 (8.8 TO 10.8)
	r1, s200, 2200, s400, 2400	M4	11.4 TO 12.3 (1.3 TO 1.4)

NOTE: REFER TO APPLICABLE CODES FOR PROPER WIRE TYPE AND SIZE

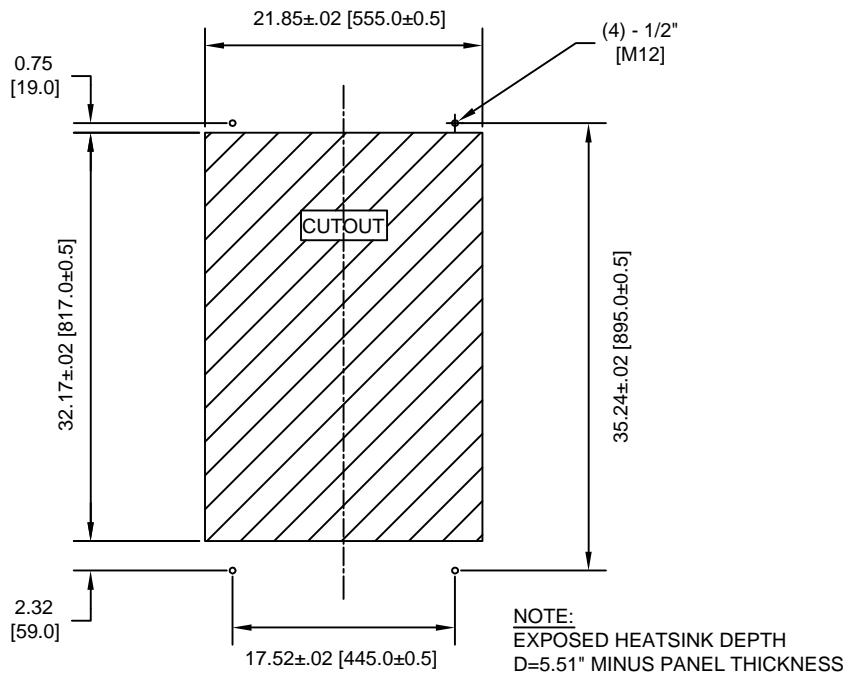
FOR ADDITIONAL DETAILS AND SPECIFICATIONS, CONSULT MANUAL

TOLERANCES/REFERENCES: - - - - -	<p><b>YASKAWA</b> A World of Automation Solutions™</p> <p>YASKAWA ELECTRIC AMERICA, INC. Corporate Headquarters 2121 Norman Drive South Waukegan, IL 60085 1-800-YASKAWA http://www.yaskawa.com</p>	DRAWN: J. MATTAS	DATE 3-1-04	TITLE: G7 DIMENSION DRAWING		
		CHECKED: E. KU	DATE 4-4-04	FRAME SIZE 13		
		TECH: J. CAIRO	DATE 4-2-04	NEMA TYPE 1/IP20 ENCLOSURE		
		APPROVED: T. SASADA	DATE 4-7-04	G7U4132 TO 4160		
UNITS: IN[mm]	SCALE: BY VIEW	ORIGINAL DESIGN: -	DATE -	SIZE A	REVISION R01	PAGE 2 of 3
				DRAWING #: DD.G7.FR13.N1.01		


MINIMUM INSTALLATION CLEARANCES (SCALE 1:20)



PANEL CUTOUT FOR EXTERNAL HEATSINK MOUNTING CONFIGURATION (SCALE 1:15)



FOR ADDITIONAL DETAILS AND SPECIFICATIONS, CONSULT MANUAL

TOLERANCES/REFERENCES: -		 <b>YASKAWA</b> <i>A World of Automation Solutions™</i> <b>YASKAWA ELECTRIC AMERICA, INC.</b> Corporate Headquarters 2121 Norman Drive South Waukegan, IL 60085 1-800-YASKAWA <a href="http://www.yaskawa.com">http://www.yaskawa.com</a>	DRAWN: <b>J. MATTAS</b>	DATE <b>3-1-04</b>	TITLE: <b>G7 DIMENSION DRAWING</b>		
UNITS: IN[mm]	SCALE: BY VIEW		CHECKED: <b>E. KU</b>	DATE <b>4-4-04</b>	<b>FRAME SIZE 13</b>		
		TECH: <b>J. CAIRO</b>	DATE <b>4-2-04</b>	<b>NEMA TYPE 1/IP20 ENCLOSURE</b>			
		APPROVED: <b>T. SASADA</b>	DATE <b>4-7-04</b>	SIZE <b>A</b>	REVISION <b>R01</b>	PAGE <b>3 of 3</b>	
		ORIGINAL DESIGN: -	DATE -	DRAWING #: <b>DD.G7.FR13.N1.01</b>			