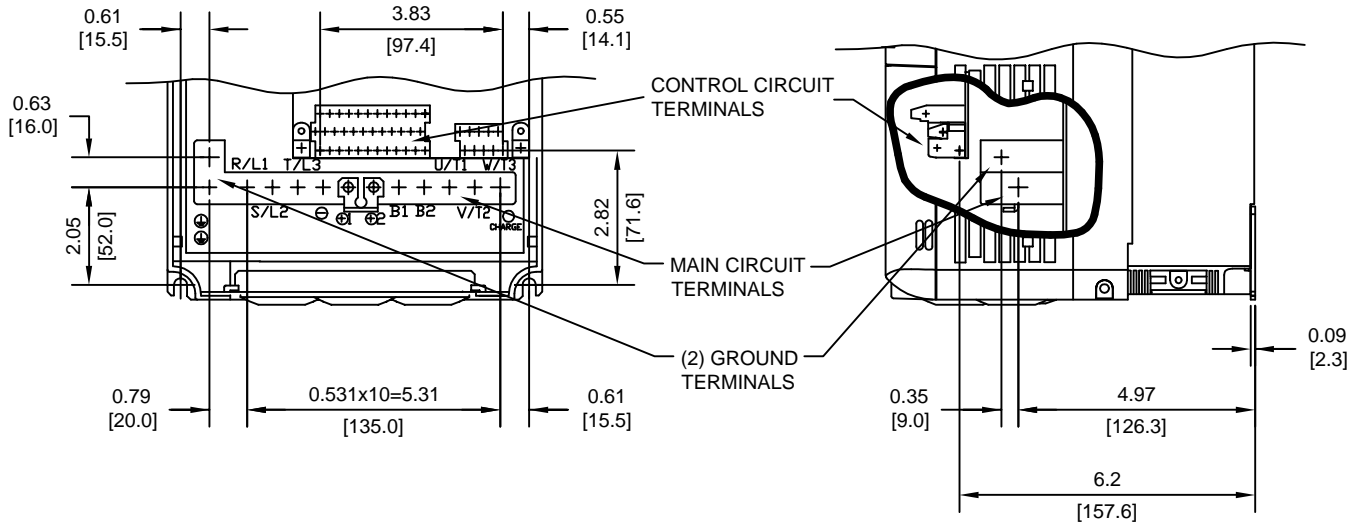


TERMINAL AND WIRING DETAILS (SCALE 1:4)



TERMINAL AND WIRE SPECIFICATIONS FOR
MAIN CIRCUIT AND GROUND

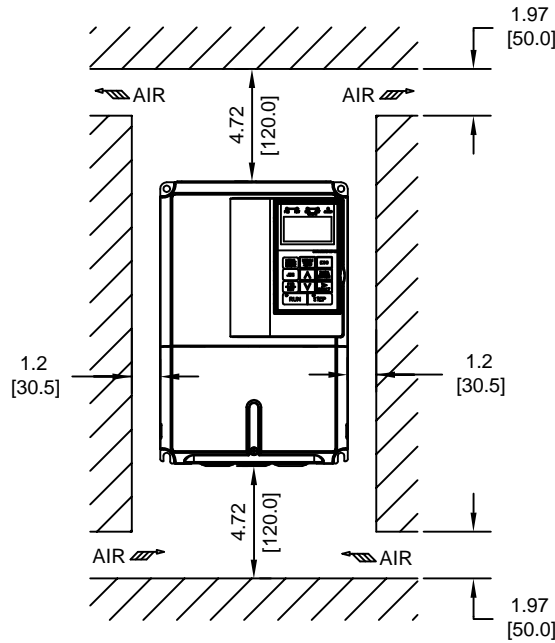
MODEL # CIMR-G7U	TERMINAL SYMBOL	TERMINAL SCREW	CLAMPING TORQUE lb.in.(N.m.)	WIRE RANGE AWG(mm ²)
25P5	R/L1, S/L2, T/L3, ⊖, ⊕1, ⊕2, B1, B2, U/T1, V/T2, W/T3, ⊕	M5	20.4 TO 22.1 (2.3 TO 2.5)	10-6 (5.5-14)
27P5	R/L1, S/L2, T/L3, ⊖, ⊕1, ⊕2, B1, B2, U/T1, V/T2, W/T3, ⊕	M5	20.4 TO 22.1 (2.3 TO 2.5)	10-6 (5.5-14)
45P5	R/L1, S/L2, T/L3, ⊖, ⊕1, ⊕2, B1, B2, U/T1, V/T2, W/T3	M4	12.1 TO 15.6 (1.4 TO 1.8)	10-6 (5.5-14)
	⊕			12-10 (3.5-5.5)
47P5	R/L1, S/L2, T/L3, ⊖, ⊕1, ⊕2, B1, B2, U/T1, V/T2, W/T3, ⊕	M5	20.4 TO 22.1 (2.3 TO 2.5)	10-6 (5.5-14)

NOTE: REFER TO APPLICABLE CODES FOR PROPER WIRE TYPE AND SIZE

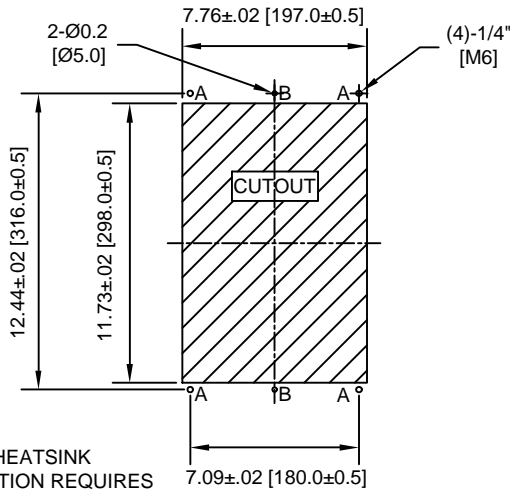
FOR ADDITIONAL DETAILS AND SPECIFICATIONS, CONSULT MANUAL

TOLERANCES/REFERENCES: - - - - -	<p>YASKAWA A World of Automation Solutions™</p> <p>YASKAWA ELECTRIC AMERICA, INC. Corporate Headquarters 2121 Norman Drive South Waukegan, IL 60085 1-800-YASKAWA http://www.yaskawa.com</p>	DRAWN: J. MATTAS	DATE 2-11-04	TITLE: G7 DIMENSION DRAWING	
		CHECKED: E. KU	DATE 4-4-04	FRAME SIZE 3A	
		TECH: J. CAIRO	DATE 2-26-04	NEMA TYPE 1/IP20 AND IP00	
		APPROVED: T. SASADA	DATE 4-7-04	G7U25P5 TO 27P5, 45P5 TO 47P5	
UNITS: IN[mm]	SCALE: BY VIEW	ORIGINAL DESIGN: -	DATE -	SIZE A	REVISION -
				PAGE 2 of 3	
				DRAWING #: DD.G7.FR3A.N1.01	

MINIMUM INSTALLATION CLEARANCES (SCALE 1:8)



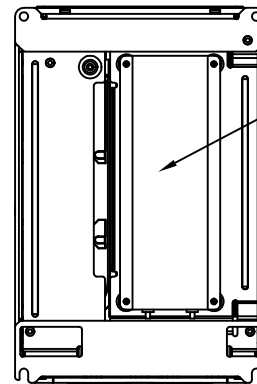
PANEL CUTOUT FOR EXTERNAL HEATSINK MOUNTING CONFIGURATION (SCALE 1:8)



NOTES:

1. EXTERNAL HEATSINK CONFIGURATION REQUIRES MOUNTING KIT
2. EXPOSED HEATSINK DEPTH D=2.58" MINUS PANEL THICKNESS

SIMPLIFIED REAR VIEW (SCALE 1:6)



OPTIONAL
DYNAMIC BRAKING RESISTOR
MOUNTING HARDWARE:
(4)-M4x10 SCREWS

FOR ADDITIONAL DETAILS AND SPECIFICATIONS, CONSULT MANUAL

TOLERANCES/REFERENCES: - - - - -		 YASKAWA <i>A World of Automation Solutions™</i> YASKAWA ELECTRIC AMERICA, INC. Corporate Headquarters 2121 Norman Drive South Waukegan, IL 60085 1-800-YASKAWA http://www.yaskawa.com	DRAWN: J. MATTAS DATE: 2-11-04	TITLE: G7 DIMENSION DRAWING
UNITS: IN[mm]	SCALE: BY VIEW		CHECKED: E. KU DATE: 4-4-04	DATE: 4-4-04
		TECH: J. CAIRO DATE: 2-26-04	APPROVED: T. SASADA DATE: 4-7-04	SIZE A
		ORIGINAL DESIGN: -	DATE: -	REVISION -
				PAGE 3 of 3
		DRAWING #: DD.G7.FR3A.N1.01		