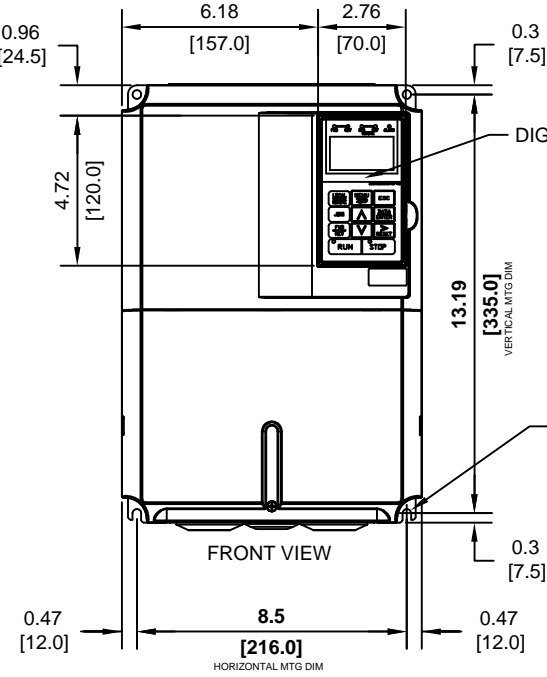


TOP PROTECTIVE COVER

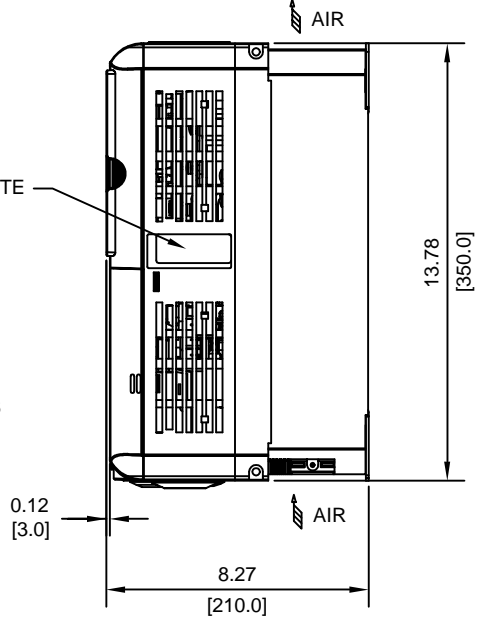
NOTE:
PROTECTIVE COVERS ARE FACTORY INSTALLED TO THE TOP AND BOTTOM OF THE DRIVE TO MEET IP20 & NEMA TYPE 1 REQUIREMENTS, RESULTING IN AN AMBIENT TEMPERATURE RATING OF 104F(40C). REMOVE THESE COVERS WHEN OPERATING THE DRIVE WITHIN A PANEL TO OBTAIN THE MAXIMUM SURROUNDING AIR TEMPERATURE RATING OF 113F(45C). REMOVING THESE COVERS RESULTS IN AN ENCLOSURE RATING OF IP00.



DIGITAL OPERATOR

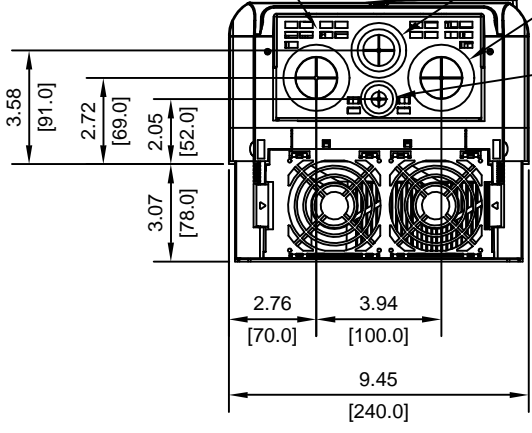
NAMEPLATE

(4)-MOUNTING HOLES FOR 1/4"[M6] SCREWS



BOTTOM PROTECTIVE COVER


- Ø1.38 [35] HOLE WITH RUBBER BUSHING
- (2)-Ø1.73 [44] HOLE WITH RUBBER BUSHING
- Ø0.87 [22] HOLE WITH RUBBER BUSHING



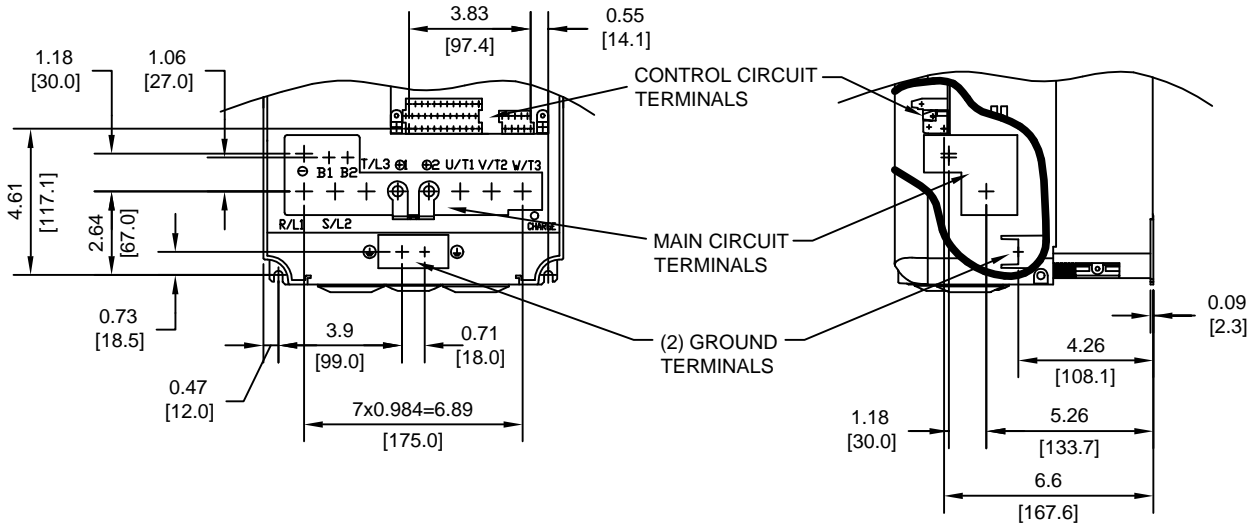
MODEL #	VOLTAGE (VAC)	OUTPUT CURRENT (A)	WEIGHT LBS (Kg)	HEAT LOSS (W)		
				INT	EXT	TOTAL
2011	208/240	49	24.2 (11.0)	136	357	493

INT=INTERNAL COMPONENTS
EXT=EXTERNAL HEATSINK

FOR ADDITIONAL DETAILS AND SPECIFICATIONS, CONSULT MANUAL

TOLERANCES/REFERENCES: - - - - - -	 YASKAWA <i>A World of Automation Solutions™</i> YASKAWA ELECTRIC AMERICA, INC. Corporate Headquarters 2121 Norman Drive South Waukegan, IL 60085 1-800-YASKAWA http://www.yaskawa.com	DRAWN: J. MATTAS DATE: 2-12-04	TITLE: G7 DIMENSION DRAWING FRAME SIZE 4A NEMA TYPE 1/IP20 AND IP00 G7U2011
		CHECKED: E. KU DATE: 4-4-04	TECH: J. CAIRO DATE: 3-30-04
UNITS: IN[mm]	SCALE: 1:6	ORIGINAL DESIGN: -	DRAWING #: DD.G7.FR4A.N1.01

TERMINAL AND WIRING DETAILS (SCALE 1:6)

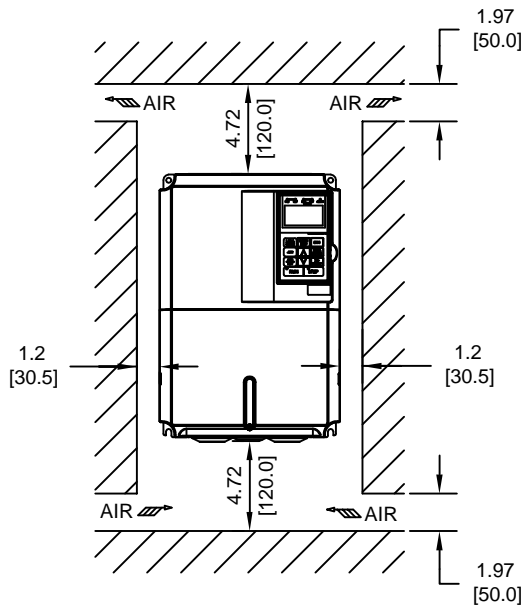


TERMINAL AND WIRE SPECIFICATIONS FOR MAIN CIRCUIT AND GROUND

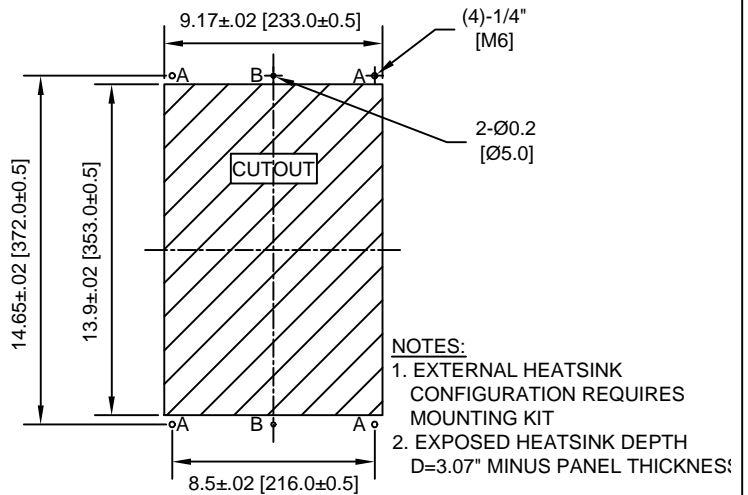
MODEL # CIMR-G7U	TERMINAL SYMBOL	TERMINAL SCREW	CLAMPING TORQUE lb.in.(N.m.)	WIRE RANGE AWG(mm ²)
2011	R/L1, S/L2, T/L3, ⊙, ⊕1, ⊕2, U/T1, V/T2, W/T3	M6	35.2 TO 44.0 (4.0 TO 5.0)	8-1 (8-50)
	B1, B2	M5	20.4 TO 22 (2.3 TO 2.5)	12-6 (3.5-14)
	⊖	M6	35.2 TO 44.0 (4.0 TO 5.0)	SEE NOTE

NOTE: REFER TO APPLICABLE CODES FOR PROPER WIRE TYPE AND SIZE

MINIMUM INSTALLATION CLEARANCES (SCALE 1:10)



PANEL CUTOUT FOR EXTERNAL HEATSINK MOUNTING CONFIGURATION (SCALE 1:8)



FOR ADDITIONAL DETAILS AND SPECIFICATIONS, CONSULT MANUAL

TOLERANCES/REFERENCES:		<p>YASKAWA A World of Automation Solutions™</p> <p>YASKAWA ELECTRIC AMERICA, INC. Corporate Headquarters 2121 Norman Drive South Waukegan, IL 60085 1-800-YASKAWA http://www.yaskawa.com</p>	DRAWN: J. MATTAS DATE: 2-12-04	TITLE: G7 DIMENSION DRAWING FRAME SIZE 4A NEMA TYPE 1/IP20 AND IP00 G7U2011		
UNITS: IN[mm]	SCALE: BY VIEW		CHECKED: E. KU DATE: 4-4-04	TECH: J. CAIRO DATE: 3-30-04	SIZE: A	REVISION: -
		APPROVED: T. SASADA DATE: 4-7-04	ORIGINAL DESIGN: -	DRAWING #: DD.G7.FR4A.N1.01		