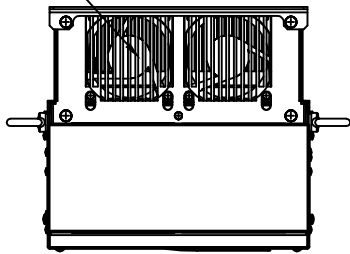
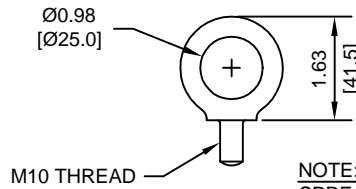


(2) EXTERNAL COOLING FANS

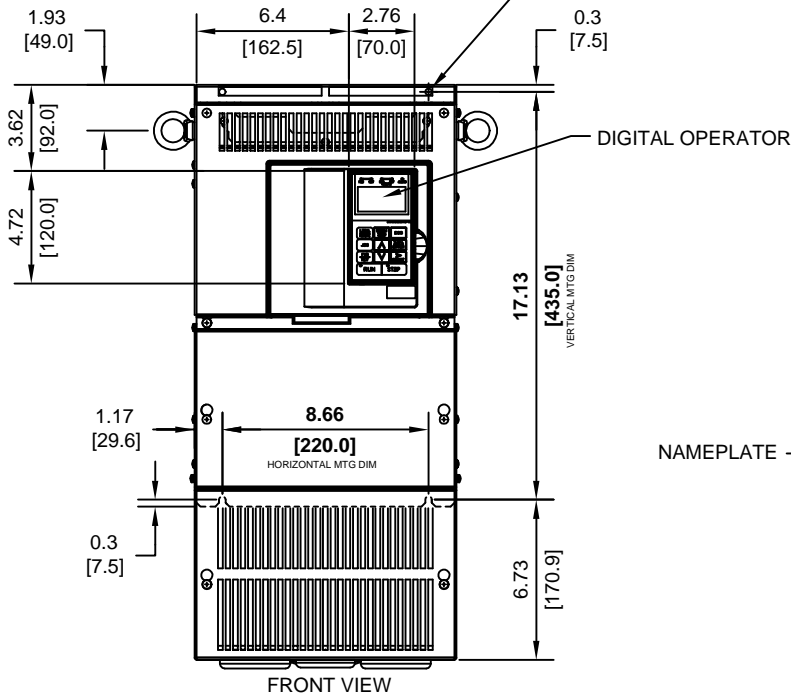


LIFTING AND EYEBOLT DETAILS

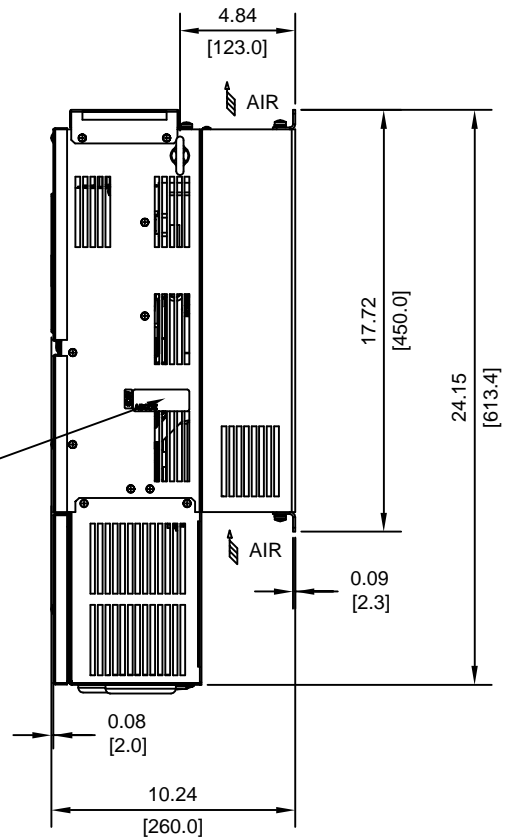


NOTE:
SPREADER BAR REQUIRED TO
AVOID DAMAGE DURING LIFTING

(4)-MOUNTING HOLES
FOR 1/4" [M6] SCREWS



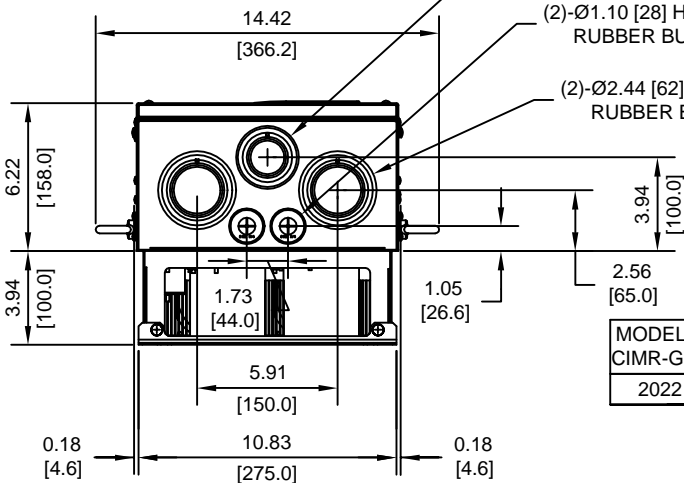
NAMEPLATE



Ø1.97 [50] HOLE WITH RUBBER BUSHING

(2)-Ø1.10 [28] HOLE WITH RUBBER BUSHING

(2)-Ø2.44 [62] HOLE WITH RUBBER BUSHING



MODEL #	VOLTAGE (VAC)	OUTPUT CURRENT (A)	WEIGHT LBS (Kg)	HEAT LOSS (W)		
				INT	EXT	TOTAL
2022	208/240	96	59 (27)	257	679	936

INT=INTERNAL COMPONENTS
EXT=EXTERNAL HEATSINK

FOR ADDITIONAL DETAILS AND SPECIFICATIONS, CONSULT MANUAL

TOLERANCES/REFERENCES:



YASKAWA ELECTRIC AMERICA, INC.
Corporate Headquarters
2121 Norman Drive South
Waukegan, IL 60085
1-800-YASKAWA
<http://www.yaskawa.com>

DRAWN: J. MATTAS

DATE: 2-13-04

CHECKED: E. KU

DATE: 4-4-04

TECH: J. CAIRO

DATE: 3-30-04

APPROVED: T. SASADA

DATE: 4-7-04

ORIGINAL DESIGN:

DATE: -

TITLE:
G7 DIMENSION DRAWING
FRAME SIZE 6A
NEMA TYPE 1/IP20 ENCLOSURE
G7U2022

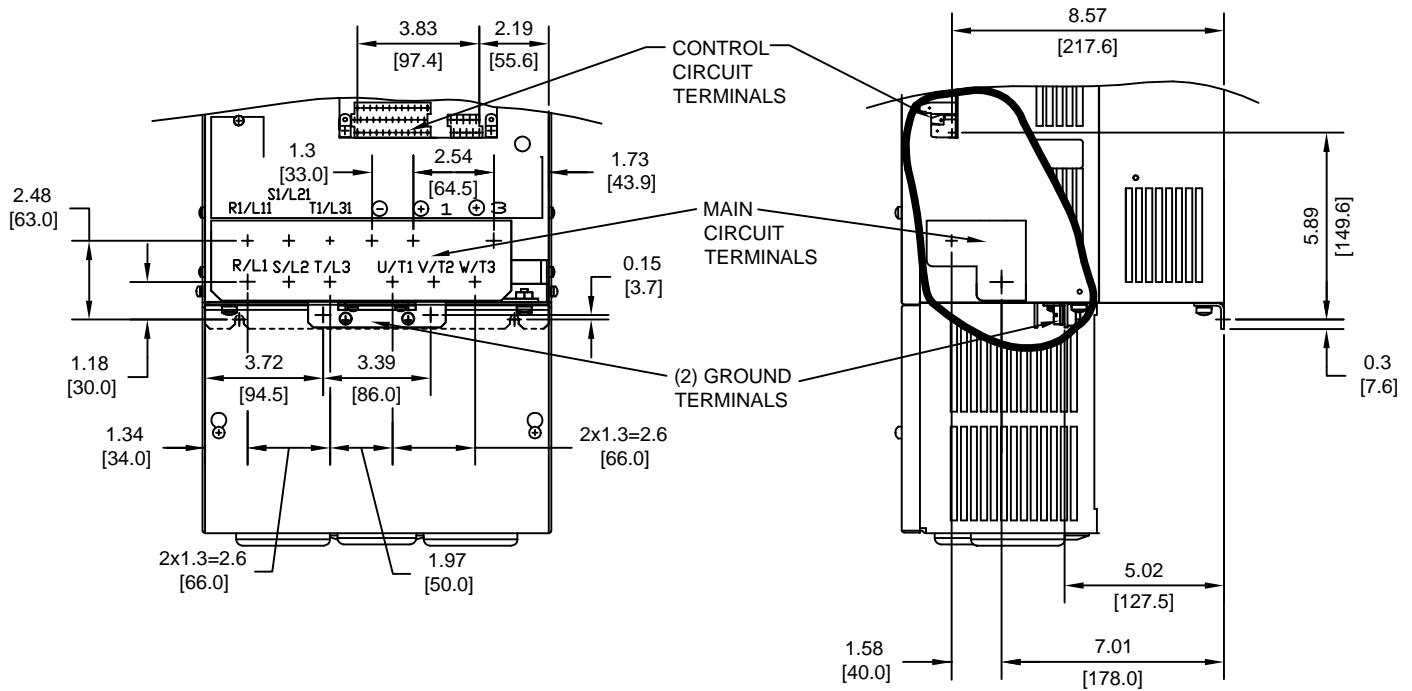
SIZE	REVISION	PAGE
A	-	1 of 3

DRAWING #: DD.G7.FR6A.N1.01

UNITS: IN[mm]

SCALE: 1:8

TERMINAL AND WIRING DETAILS (SCALE 1:6)




TERMINAL AND WIRE SPECIFICATIONS FOR MAIN CIRCUIT AND GROUND

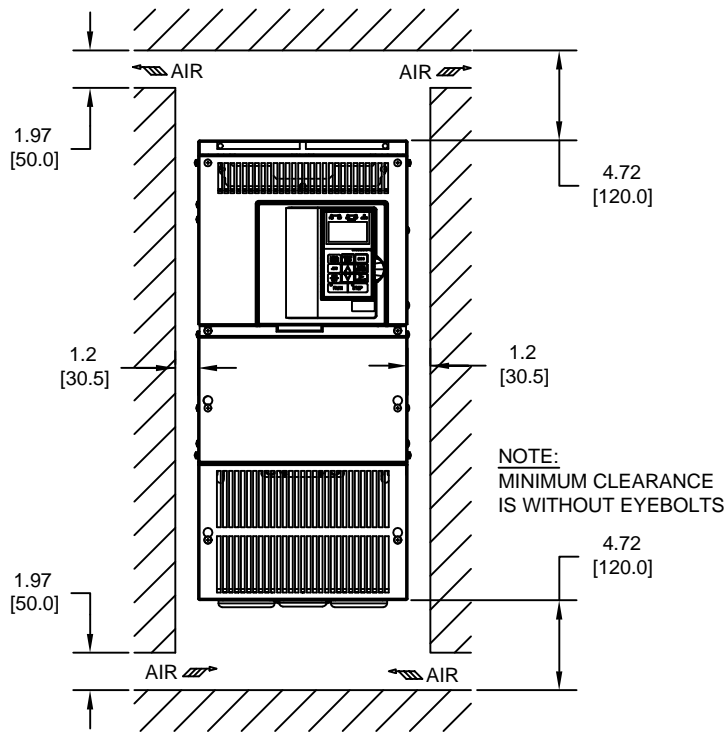
MODEL # CIMR-G7U	TERMINAL SYMBOL	TERMINAL SCREW	CLAMPING TORQUE lb.in.(N.m.)	WIRE RANGE AWG(mm ²)
2022	R/L1, S/L2, T/L3, ⊖, ⊕1, R1/L11, S1/L21, T1/L31, U/T1, V/T2, W/T3	M8	79.2 TO 88.0 (9.0 TO 10.0)	8-1/0 (8-60)
	⊕3	M6	35.2 TO 44.0 (4.0 TO 5.0)	8-4 (8-22)
	⊖	M8	79.2 TO 88.0 (9.0 TO 10.0)	SEE NOTE

NOTE: REFER TO APPLICABLE CODES FOR PROPER WIRE TYPE AND SIZE

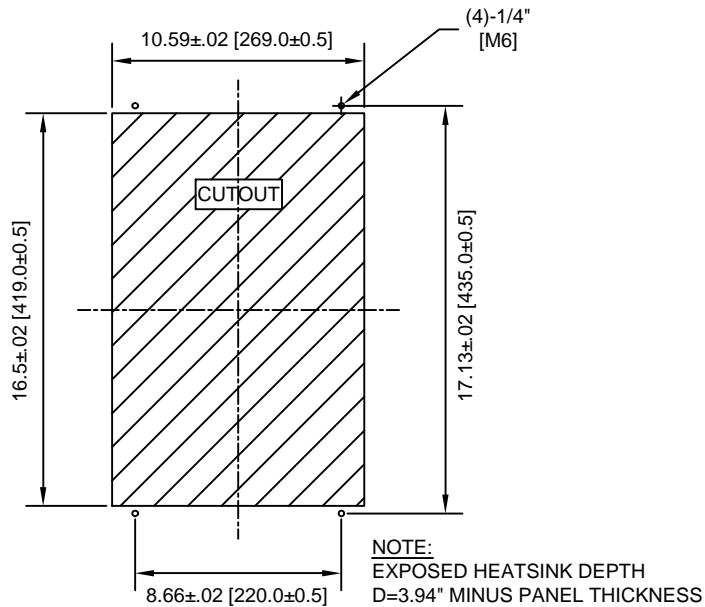
FOR ADDITIONAL DETAILS AND SPECIFICATIONS, CONSULT MANUAL

TOLERANCES/REFERENCES: - - - - -	 YASKAWA <i>A World of Automation Solutions™</i> YASKAWA ELECTRIC AMERICA, INC. Corporate Headquarters 2121 Norman Drive South Waukegan, IL 60085 1-800-YASKAWA http://www.yaskawa.com	DRAWN: J. MATTAS	DATE 2-13-04	TITLE: G7 DIMENSION DRAWING		
		CHECKED: E. KU	DATE 4-4-04	FRAME SIZE 6A		
		TECH: J. CAIRO	DATE 3-30-04	NEMA TYPE 1/IP20 ENCLOSURE		
		APPROVED: T. SASADA	DATE 4-7-04	G7U2022		
UNITS: IN[mm]	SCALE: BY VIEW	ORIGINAL DESIGN: -	DATE -	SIZE A	REVISION -	PAGE 2 of 3
				DRAWING #: DD.G7.FR6A.N1.01		


MINIMUM INSTALLATION CLEARANCES (SCALE 1:10)



PANEL CUTOUT FOR EXTERNAL HEATSINK MOUNTING CONFIGURATION (SCALE 1:8)



FOR ADDITIONAL DETAILS AND SPECIFICATIONS, CONSULT MANUAL

TOLERANCES/REFERENCES: - - - - - -		 YASKAWA <i>A World of Automation Solutions™</i> YASKAWA ELECTRIC AMERICA, INC. Corporate Headquarters 2121 Norman Drive South Waukegan, IL 60085 1-800-YASKAWA http://www.yaskawa.com	DRAWN: J. MATTAS DATE: 2-13-04	TITLE: G7 DIMENSION DRAWING FRAME SIZE 6A NEMA TYPE 1/IP20 ENCLOSURE G7U2022
UNITS: IN[mm]	SCALE: BY VIEW		CHECKED: E. KU DATE: 4-4-04	TECH: J. CAIRO DATE: 3-30-04
		APPROVED: T. SASADA DATE: 4-7-04	ORIGINAL DESIGN: - DATE: -	DRAWING #: DD.G7.FR6A.N1.01