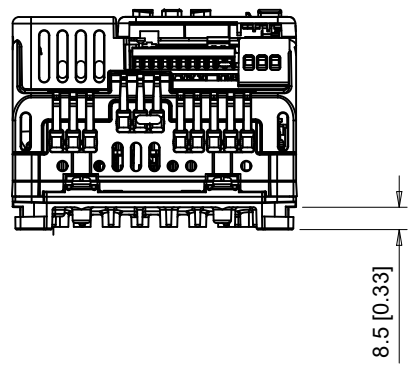
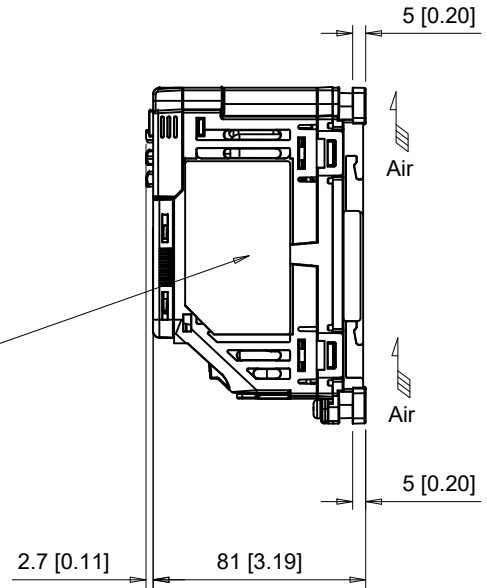


(4) Mounting Holes for M5 [#10] Screws.

Keypad

Nameplate



C/C:	INPUT VOLTAGE (VAC)	WEIGHT Kg (lb)	COOLING FANS
GA50□	380 TO 480 3-PHASE	0.8 (1.8)	0

□ denotes A-Z

YASKAWA

UNITS MM [IN]
SCALE 1:3

DRWN.	J. MATTAS	5-28-19
CHKD.	J. PIOTROWSKI	7-29-19
TECH.	L. UDDIN	8-7-19
APRV.	J. CAIRO	8-22-19

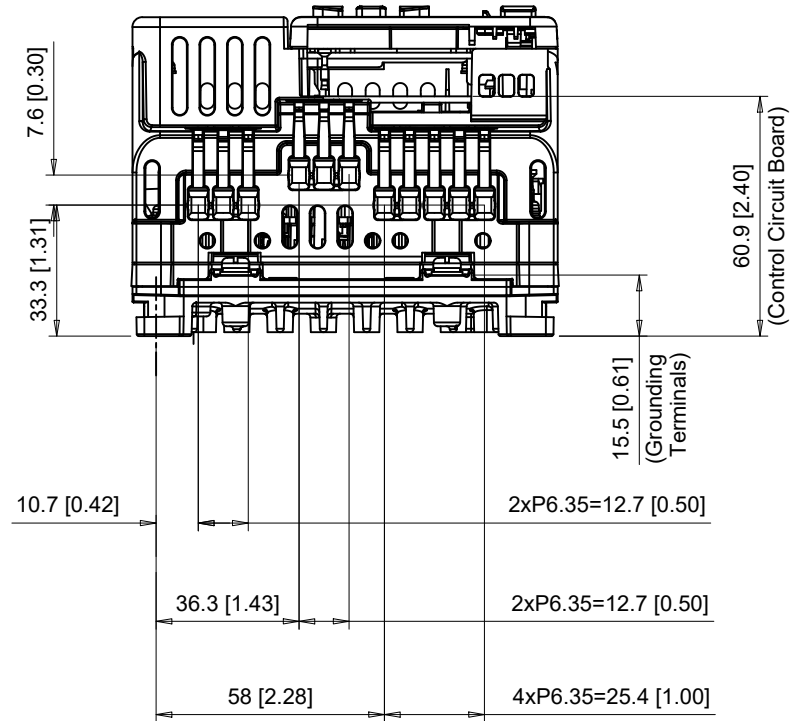
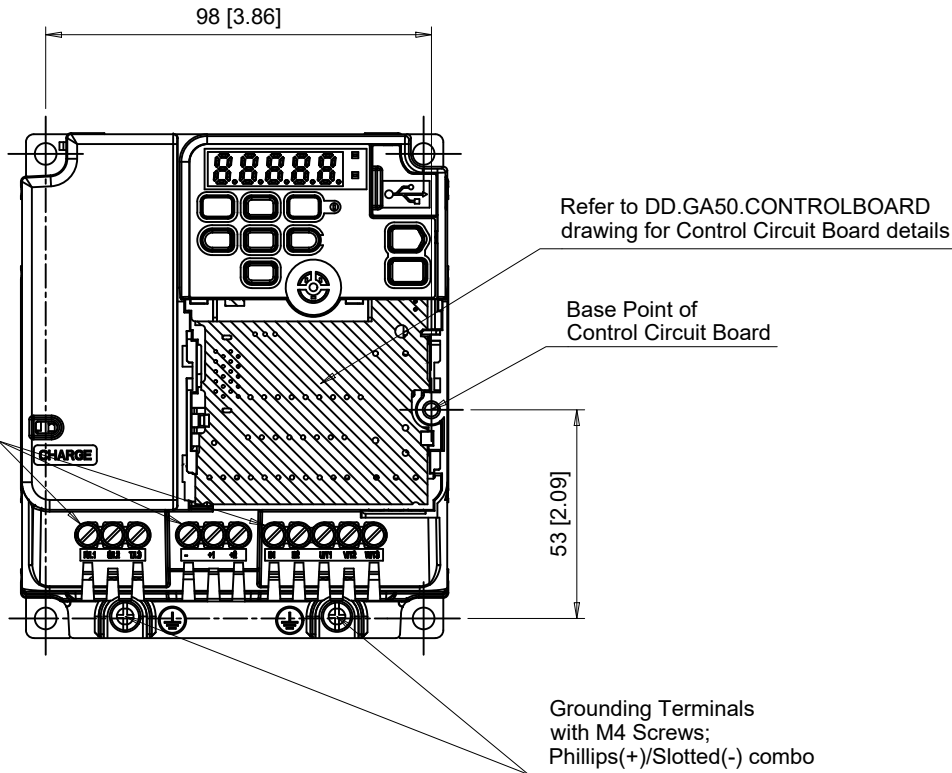
TITLE
GA500 DIMENSION DRAWING
FRAME SIZE 2.1
IP20 ENCLOSURE

SIZE A PAGE 1 OF 3
DWG.NO. DD.GA50.FR2.1.IP20

REV 0

FRONT VIEW

BOTTOM VIEW



C/C: GA50□	TERMINAL SYMBOL	WIRE RANGE AWG (mm ²)	TERMINAL SCREW	CLAMPING TORQUE N.m. (lb.in.)
4001□□□	R/L1, S/L2, T/L3	14 - 10 (2.5 - 6)	M3	0.6 - 0.8 (5 - 7)
	U/T1, V/T2, W/T3	14 - 10 (2.5 - 6)	M3	0.6 - 0.8 (5 - 7)
	-, +1, +2	14 - 10 (2.5 - 6)	M3	0.6 - 0.8 (5 - 7)
	B1, B2	14 - 10 (2.5 - 6)	M3	0.6 - 0.8 (5 - 7)
	⊕	14 - 10 (2.5 - 6)	M4	1.2 - 1.5 (11 - 13)

□ Denotes A-Z

Note: Refer to applicable codes and standards for proper wire type and size.

YASKAWA

UNITS MM [IN]
SCALE 1:2

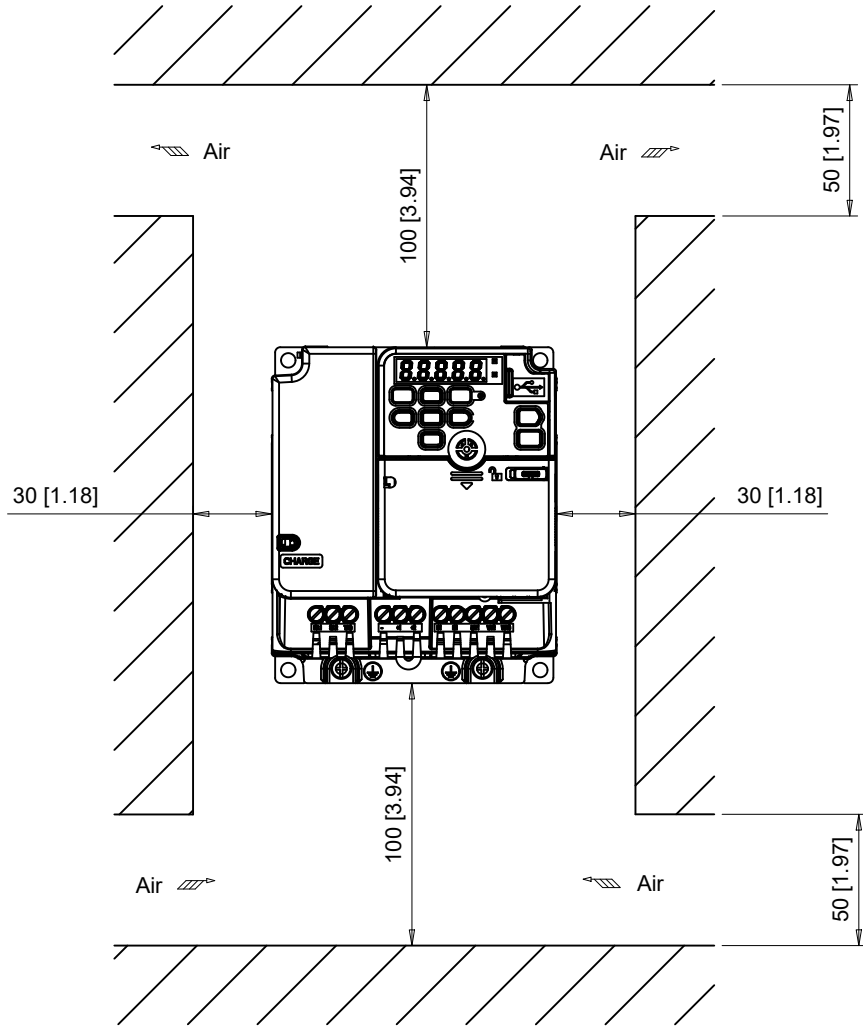
DRWN. J. MATTAS 5-28-19
CHKD. J. PIOTROWSKI 7-29-19
TECH. L. UDDIN 8-7-19
APRV. J. CAIRO 8-22-19

TITLE
GA500 DIMENSION DRAWING
FRAME SIZE 2.1
IP20 ENCLOSURE

SIZE A PAGE 2 OF 3
DWG.NO.
DD.GA50.FR2.1.IP20

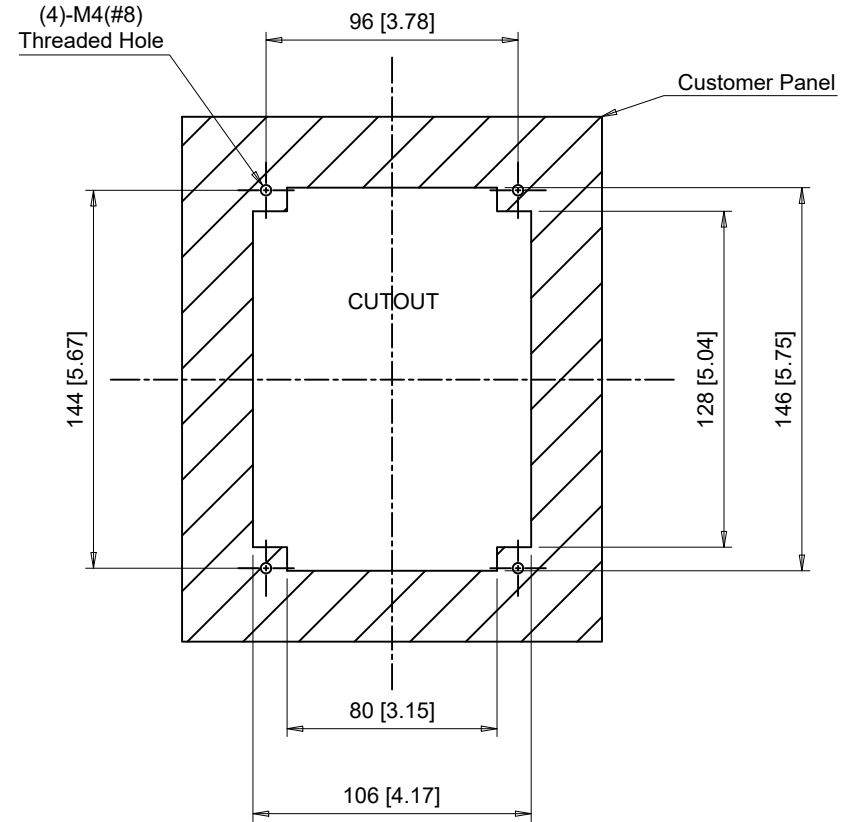
REV
0

Minimum Installation Clearances



Note:
For alternate mounting configurations, consult manual.

Panel Cutout
For External Heatsink Mounting Configuration



Notes:
Exposed heatsink minimum clearance = 13.5 [0.53].
Refer to external heatsink instructions document for additional details.

YASKAWA

UNITS MM [IN]
SCALE 1:3

DRWN.	J. MATTAS	5-28-19
CHKD.	J. PIOTROWSKI	7-29-19
TECH.	L. UDDIN	8-7-19
APRV.	J. CAIRO	8-22-19

TITLE
GA500 DIMENSION DRAWING
FRAME SIZE 2.1
IP20 ENCLOSURE

SIZE	A	PAGE	3 OF 3
DWG.NO.	DD.GA50.FR2.1.IP20		

REV
0