

C/C:	INPUT VOLTAGE (VAC)	WEIGHT Kg (lb)	COOLING FANS
GA50□	200 TO 240 1-PHASE	2.9 (6.4)	2

□ denotes A-Z

YASKAWA

UNITS MM [IN]
SCALE 1:3

DRWN.	J. MATTAS	5-30-19
CHKD.	J. PIOTROWSKI	7-30-19
TECH.	L. UDDIN	8-7-19
APRV.	J. CAIRO	9-4-19

TITLE
GA500 DIMENSION DRAWING
FRAME SIZE 4
IP20 ENCLOSURE

SIZE A
PAGE 1 OF 3
DWG.NO.
DD.GA50.FR4.IP20

REV
0

FRONT VIEW

BOTTOM VIEW

Refer to DD.GA50.CONTROLBOARD drawing for Control Circuit Board details

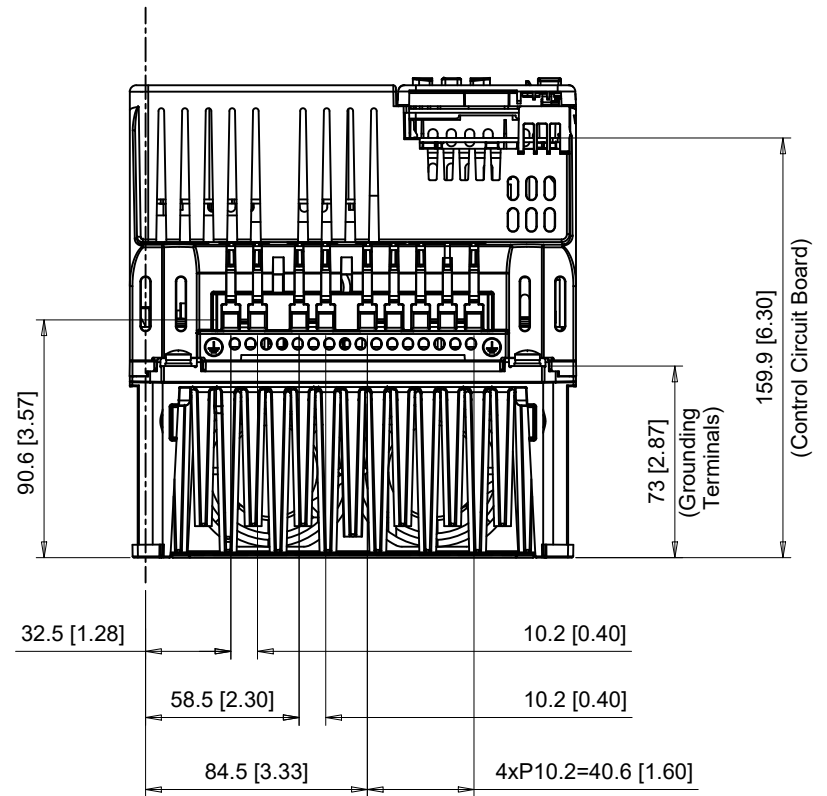
Main Circuit Terminals with M4 Screws; Slotted (-)

Base Point of Control Circuit Board

53 [2.09]

Grounding Terminals with M5 Screws; Phillips(+)

160 [6.30]



C/C: GA50□	TERMINAL SYMBOL	WIRE RANGE AWG (mm ²)	TERMINAL SCREW	CLAMPING TORQUE N.m. (lb.in.)
B018□□□	L/L1, N/L2	14 - 6 (2.5 - 16)	M4	1.7 (15)
	U/T1, V/T2, W/T3	14 - 6 (2.5 - 16)	M4	1.7 (15)
	-, +1	14 - 6 (2.5 - 16)	M4	1.7 (15)
	B1, B2	14 - 6 (2.5 - 16)	M4	1.7 (15)
	⊕	12 - 8 (4 - 10)	M5	2.0 - 2.5 (18 - 22)

□ Denotes A-Z

Note: Refer to applicable codes and standards for proper wire type and size.

YASKAWA

UNITS MM [IN]
SCALE 1:3

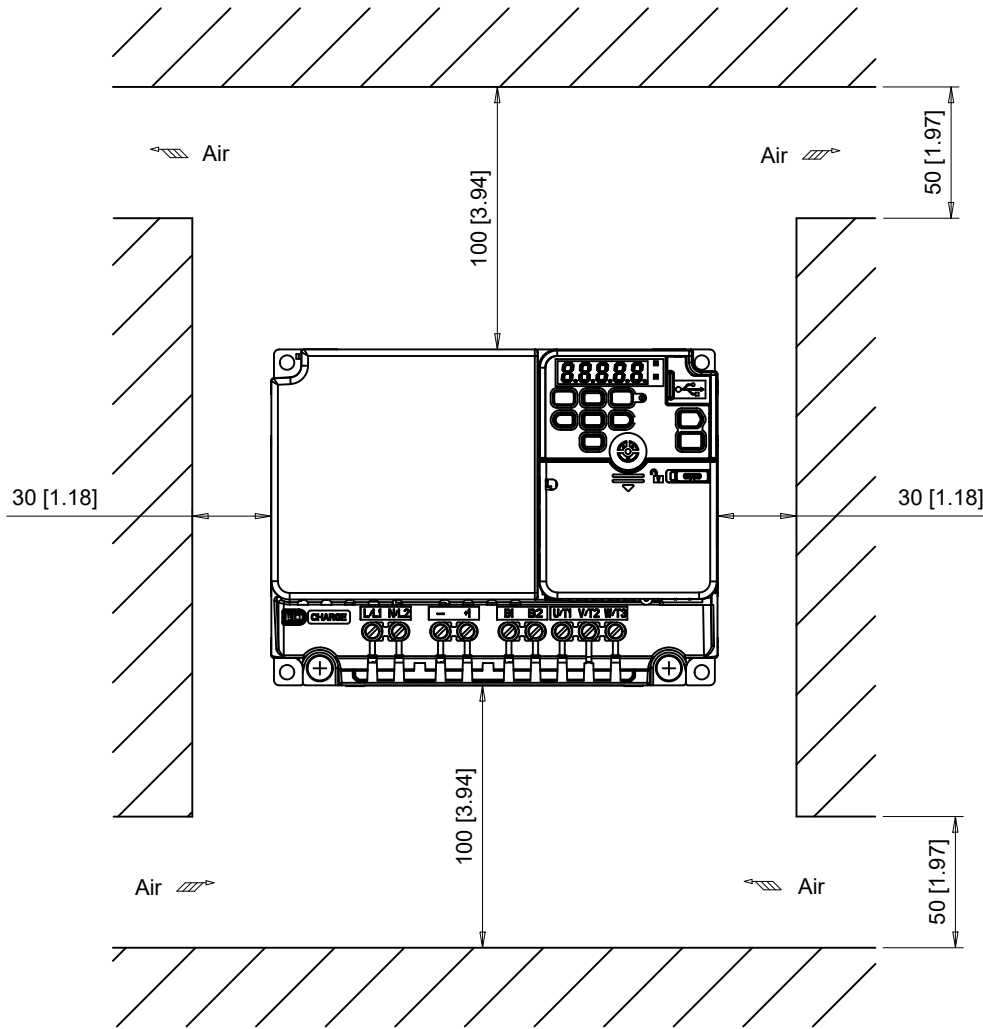
DRWN. J. MATTAS 5-30-19
CHKD. J. PIOTROWSKI 7-30-19
TECH. L. UDDIN 8-7-19
APRV. J. CAIRO 9-4-19

TITLE
GA500 DIMENSION DRAWING
FRAME SIZE 4
IP20 ENCLOSURE

SIZE A PAGE 2 OF 3
DWG.NO. DD.GA50.FR4.IP20

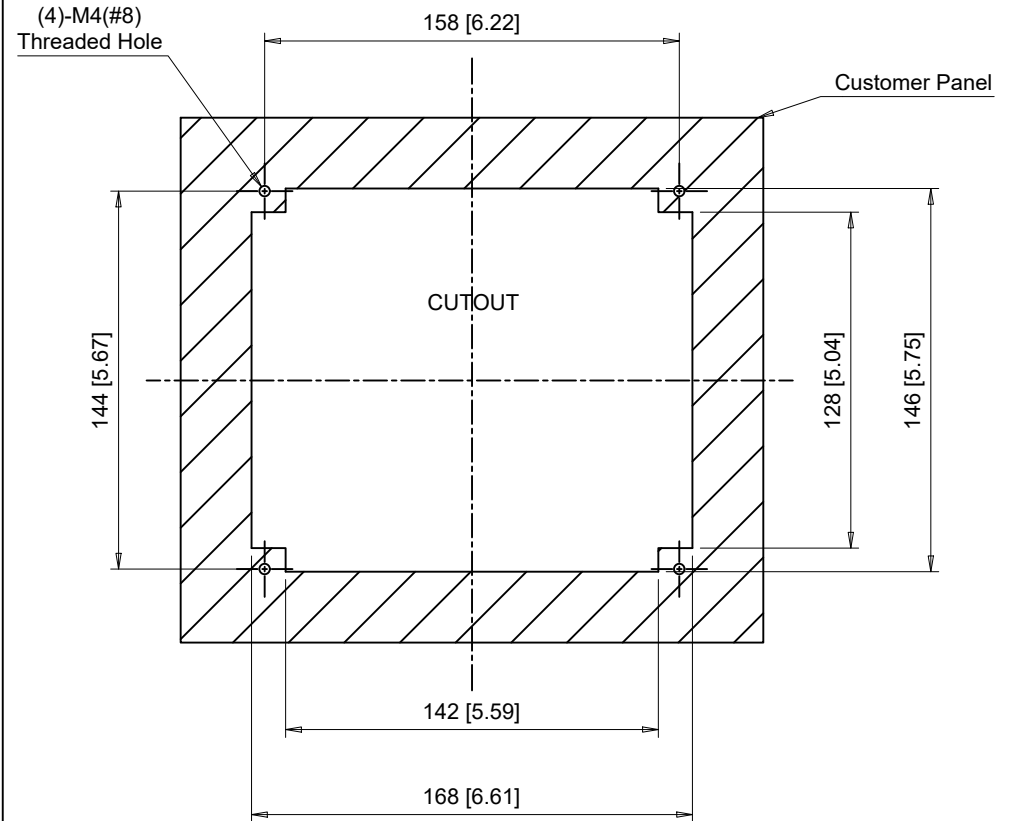
REV 0

Minimum Installation Clearances



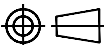
Note:
For alternate mounting configurations, consult manual.

Panel Cutout
For External Heatsink Mounting Configuration



Notes:
Exposed heatsink minimum clearance = 70 [2.76].
Refer to external heatsink instructions document for additional details.

YASKAWA


 UNITS MM [IN]
 SCALE 1:3

DRWN.	J. MATTAS	5-30-19
CHKD.	J. PIOTROWSKI	7-30-19
TECH.	L. UDDIN	8-7-19
APRV.	J. CAIRO	9-4-19

TITLE	GA500 DIMENSION DRAWING FRAME SIZE 4 IP20 ENCLOSURE
-------	---

SIZE	A	PAGE	3 OF 3
DWG.NO.	DD.GA50.FR4.IP20		

REV
0