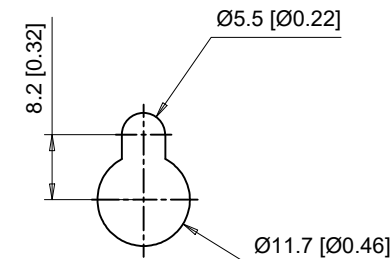
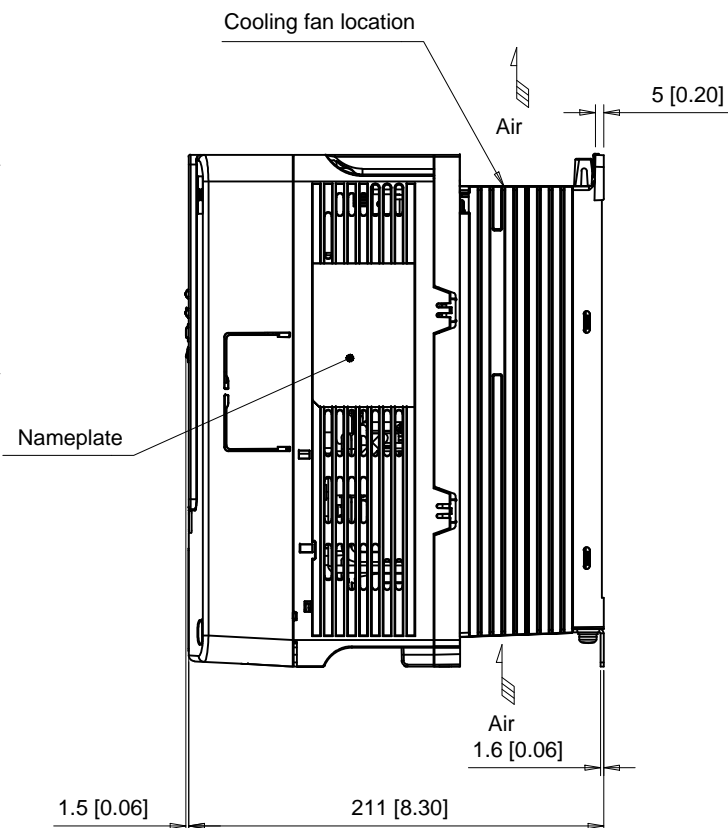
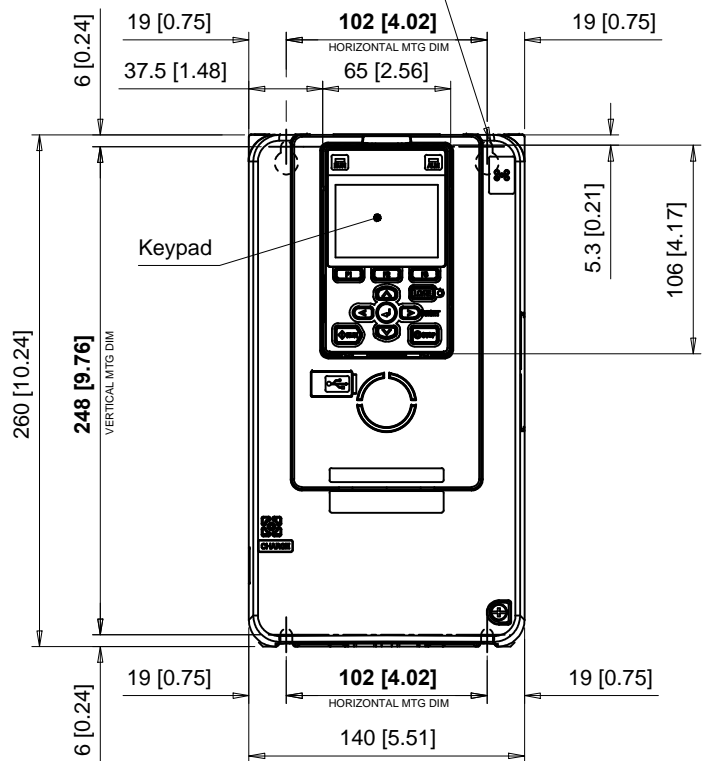
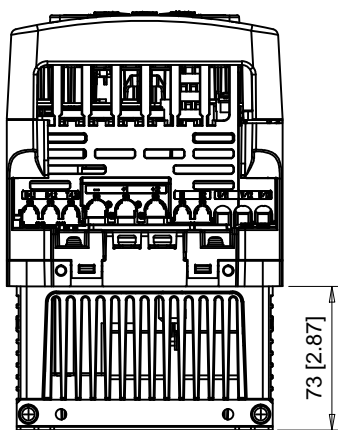


(4) Mounting Holes for M5 [#10] Screws. See Detail A for top mounting hole dimensions.



**Detail A**  
Top mounting hole dimensions  
Scale 1:1



C/C: GA80□	INPUT VOLTAGE 3-PHASE (VAC)	WEIGHT Kg (lb)	COOLING FANS
2018□□□	200 TO 240	3.9 (8.6)	1
2021□□□		3.9 (8.6)	1
2030□□□		4.2 (9.2)	2
2042□□□		4.2 (9.2)	2
4007□□□	380 TO 480	3.9 (8.6)	1
4009□□□		3.9 (8.6)	1
4012□□□		3.9 (8.6)	1
4018□□□		4.2 (9.2)	2
4023□□□		4.2 (9.2)	2

□ denotes A-Z

**YASKAWA**

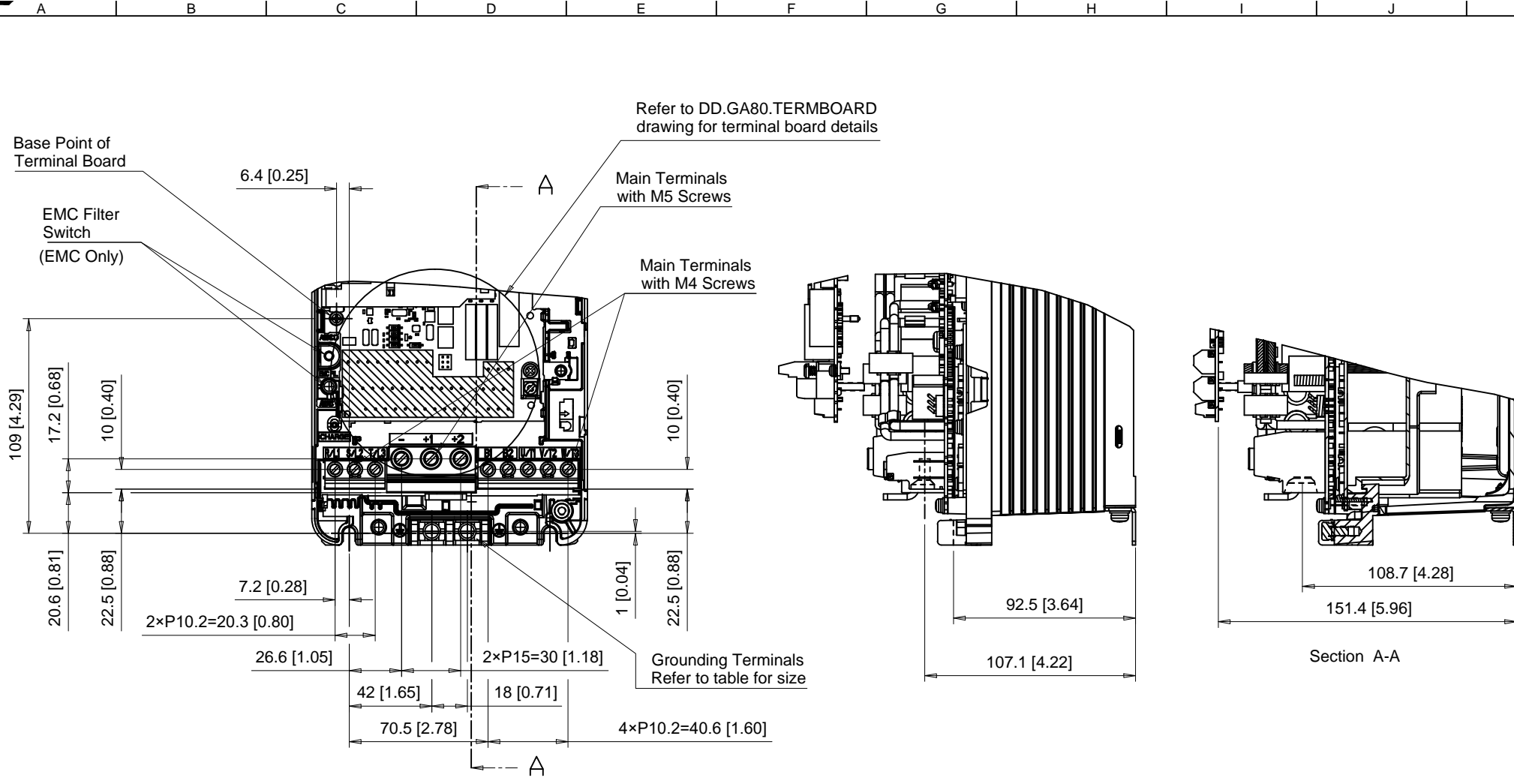
UNITS MM [IN]  
SCALE 1:4

DRWN. J. MATTAS 6-27-18  
CHKD. J. PIOTROWSKI 7-9-18  
TECH. L. UDDIN 7-16-18  
APRV. J. CAIRO 8-21-18

TITLE  
GA800 DIMENSION DRAWING  
FRAME SIZE 1.5  
IP20 ENCLOSURE

SIZE A PAGE 1 OF 3  
DWG.NO. DD.GA80.FR1.5.IP20

REV  
0



C/C: GA80□	TERMINAL SYMBOL	WIRE RANGE AWG (mm <sup>2</sup> )	TERMINAL SCREW	CLAMPING TORQUE N.m. (lb.in.)
2018□□□	R/L1, S/L2, T/L3	14 - 6 (2.5 - 16)	M4	1.5 - 1.7 (13.5 - 15)
2021□□□	U/T1, V/T2, W/T3	14 - 6 (2.5 - 16)	M4	1.5 - 1.7 (13.5 - 15)
2030□□□	-, +1, +2	8 - 2 (10 - 35)	M5	4.1 - 4.5 (36 - 40)
2042□□□	B1, B2	14 - 6 (2.5 - 16)	M4	1.5 - 1.7 (13.5 - 15)
4007□□□	⊕	SEE TABLE AT RIGHT	SEE TABLE AT RIGHT	SEE TABLE AT RIGHT
4009□□□				
4012□□□				
4018□□□				
4023□□□				

C/C: GA80□	TERMINAL SYMBOL	WIRE RANGE AWG (mm <sup>2</sup> )	TERMINAL SCREW	CLAMPING TORQUE N.m. (lb.in.)
2018□□□	⊕	14 - 8 (2.5 - 10)	M4	1.2 - 1.5 (10.6 - 13.3)
2021□□□				
4007□□□				
4009□□□				
4012□□□				
2030□□□	⊕	14 - 8 (2.5 - 10)	M5	2.0 - 2.5 (17.7 - 22.1)
2042□□□				
4018□□□				
4023□□□				

□ Denotes A-Z

Note: Refer to applicable codes and standards for proper wire type and size.

**YASKAWA**



UNITS MM [IN]

SCALE 1:3

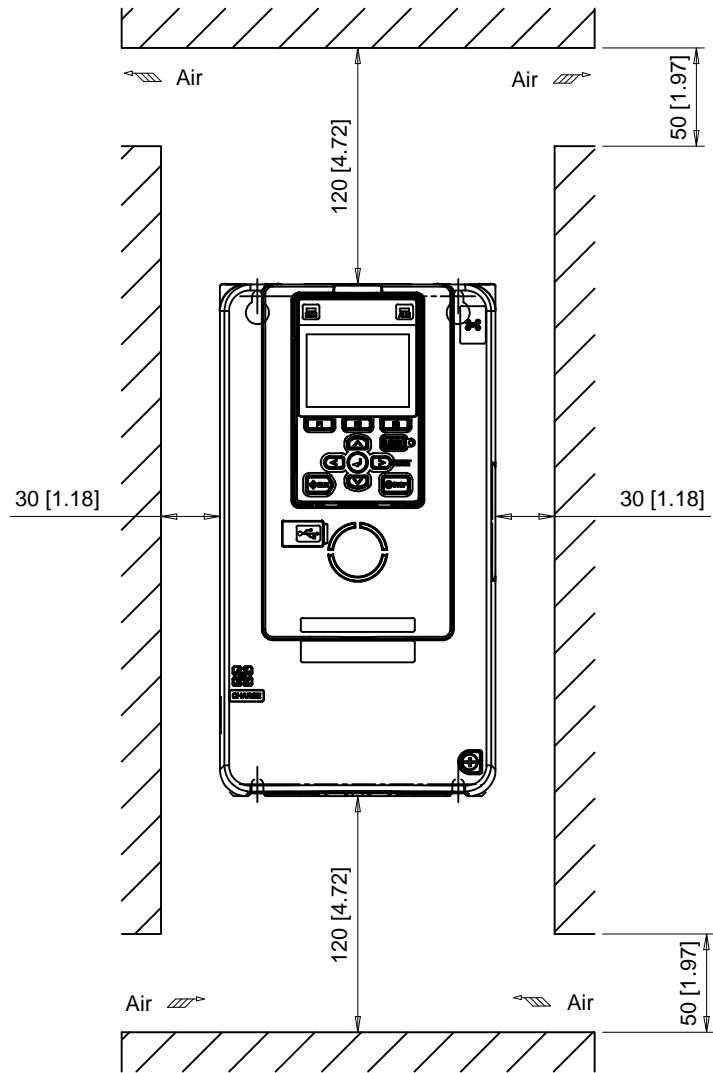
DRWN. J. MATTAS 6-27-18  
 CHKD. J. PIOTROWSKI 7-9-18  
 TECH. L. UDDIN 7-16-18  
 APRV. J. CAIRO 8-21-18

TITLE  
 GA800 DIMENSION DRAWING  
 FRAME SIZE 1.5  
 IP20 ENCLOSURE

SIZE A PAGE 2 OF 3  
 DWG.NO. DD.GA80.FR1.5.IP20

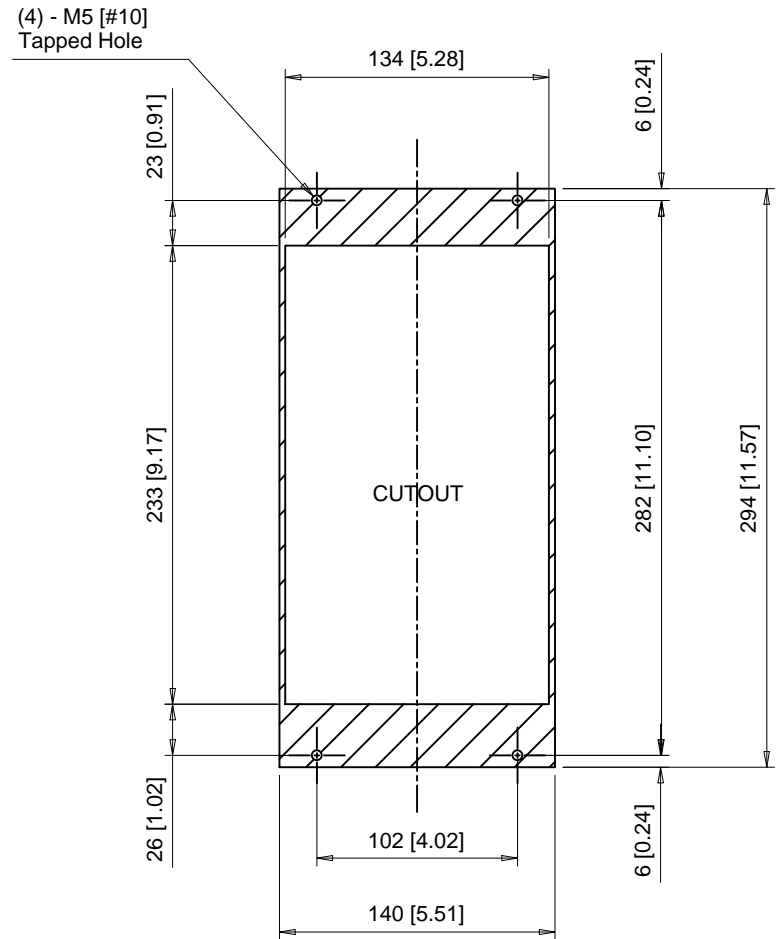
REV  
 0

Minimum Installation Clearances



Note:  
For alternate mounting configurations, consult manual.

Panel Cutout  
For External Heatsink Mounting Configuration



Notes:  
Exposed heatsink minimum clearance D = 78 [3.07].  
Refer to external heatsink instructions document for additional details.

**YASKAWA**

UNITS MM [IN]  
SCALE 1:4

DRWN.	J. MATTAS	6-27-18
CHKD.	J. PIOTROWSKI	7-9-18
TECH.	L. UDDIN	7-16-18
APRV.	J. CAIRO	8-21-18

TITLE  
GA800 DIMENSION DRAWING  
FRAME SIZE 1.5  
IP20 ENCLOSURE

SIZE A PAGE 3 OF 3  
DWG.NO.  
DD.GA80.FR1.5.IP20

REV  
0