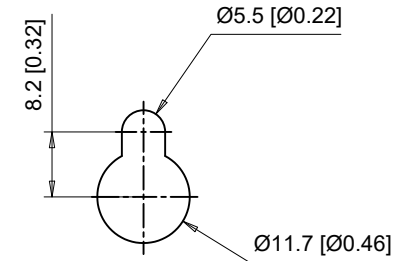
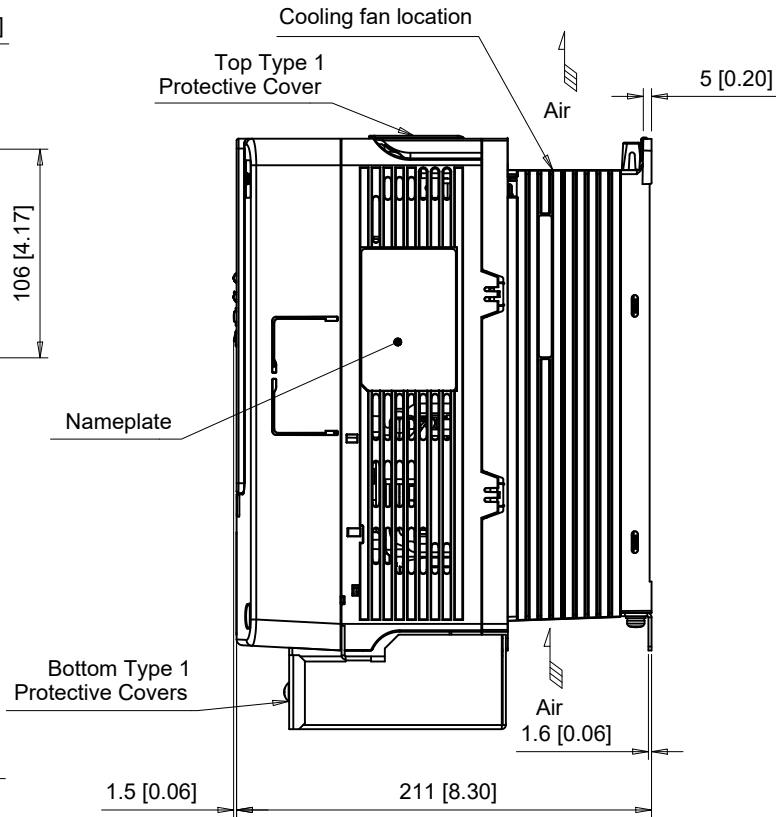
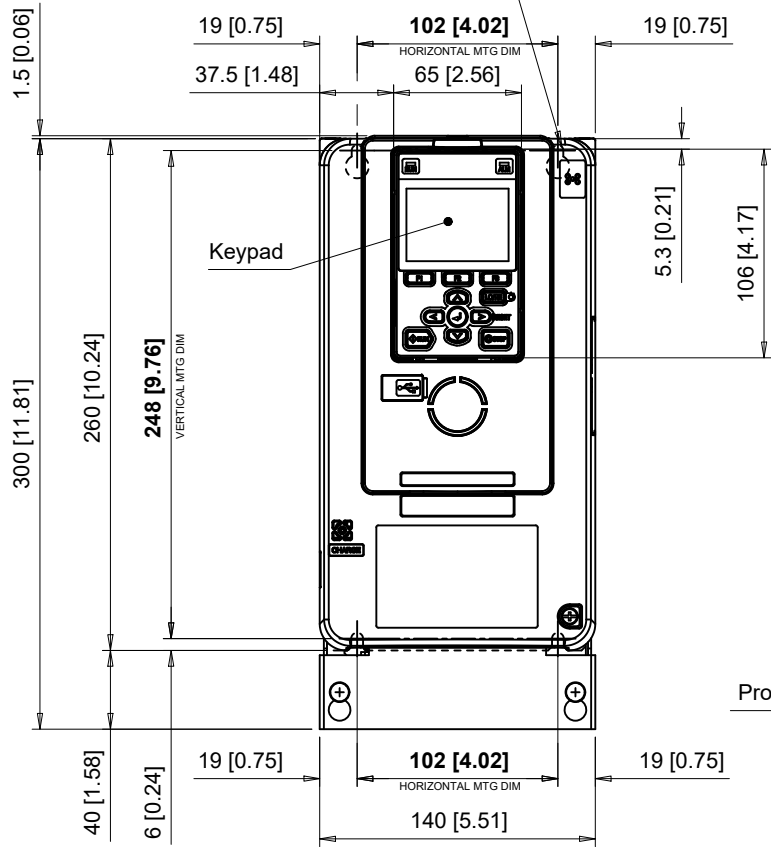
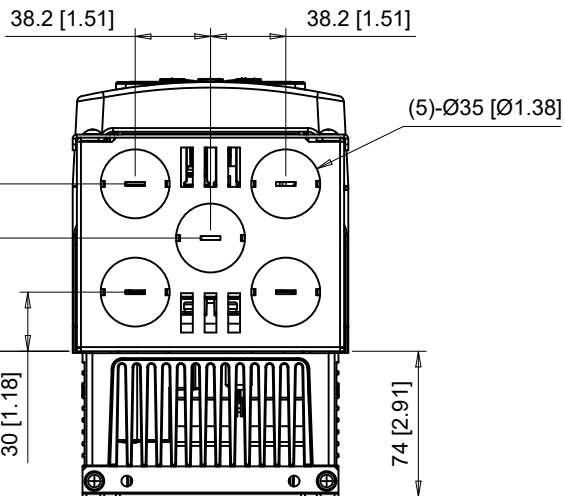


(4) Mounting Holes for M5 [#10] Screws.
See Detail A for top mounting hole dimensions.



Detail A
Top mounting hole dimensions
Scale 1:1



The dimensions shown are for an IP20 Type Drive that has been converted to a NEMA Type 1 Drive by adding the parts from NEMA 1 Kit part number 900-192-121-001

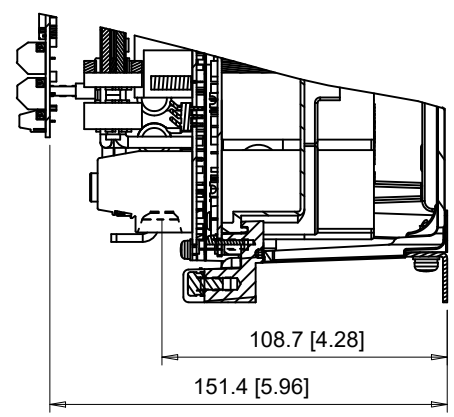
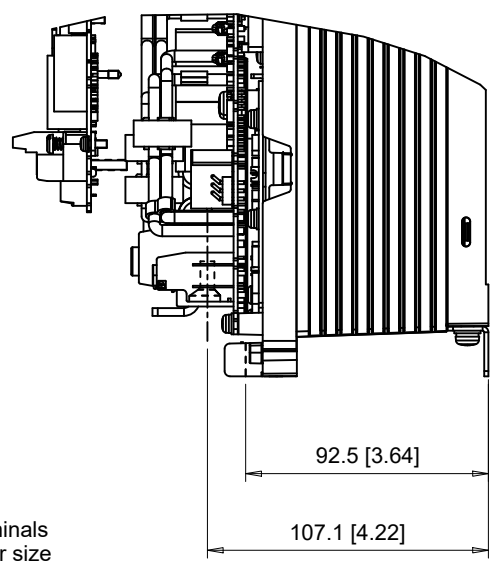
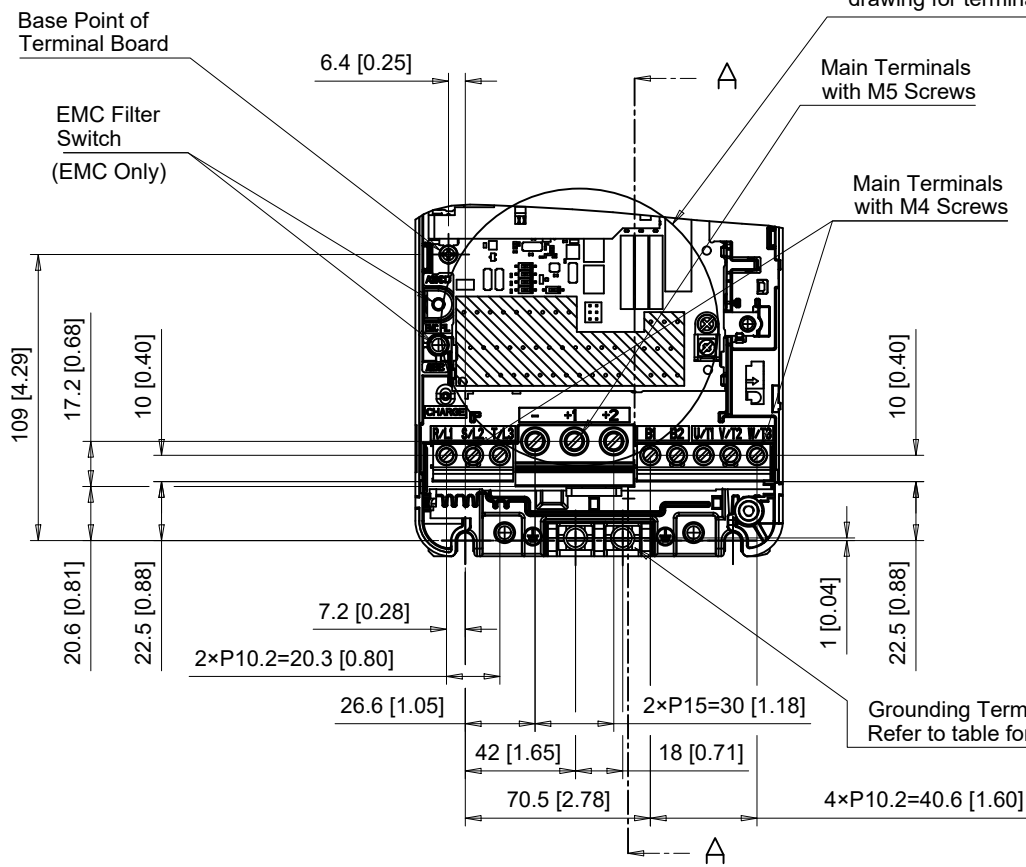
C/C: GA80□	INPUT VOLTAGE 3-PHASE (VAC)	WEIGHT Kg (lb)	COOLING FANS
2018□□□	200 TO 240	4.5 (9.9)	1
2021□□□		4.5 (9.9)	1
2030□□□		4.8 (10.6)	2
2042□□□		4.8 (10.6)	2
4007□□□	380 TO 480	4.5 (9.9)	1
4009□□□		4.5 (9.9)	1
4012□□□		4.5 (9.9)	1
4018□□□		4.8 (10.6)	2
4023□□□		4.8 (10.6)	2

□ denotes A-Z

		YASKAWA		DRWN. J. MATTAS	6-28-18	TITLE GA800 DIMENSION DRAWING FRAME SIZE 1.5 NEMA TYPE 1 ENCLOSURE	SIZE A	PAGE 1 OF 3	REV
1	REVISED KIT PART NUMBER			UNITS MM [IN]	CHKD. J. PIOTROWSKI		7-9-18	DWG.NO.	
0	INITIAL RELEASE	SCALE 1:4	APRV. J. CAIRO	7-16-18		DD.GA80.FR1.5.N1			

Base Point of Terminal Board

Refer to DD.GA80.TERMBOARD drawing for terminal board details



C/C: GA80□	TERMINAL SYMBOL	WIRE RANGE AWG (mm ²)	TERMINAL SCREW	CLAMPING TORQUE N.m. (lb.in.)
2018□□□	R/L1, S/L2, T/L3	14 - 6 (2.5 - 16)	M4	1.5 - 1.7 (13.5 - 15)
2021□□□	U/T1, V/T2, W/T3	14 - 6 (2.5 - 16)	M4	1.5 - 1.7 (13.5 - 15)
2030□□□	-, +1, +2	8 - 2 (10 - 35)	M5	4.1 - 4.5 (36 - 40)
2042□□□	B1, B2	14 - 6 (2.5 - 16)	M4	1.5 - 1.7 (13.5 - 15)
4007□□□	⊕	SEE TABLE AT RIGHT	SEE TABLE AT RIGHT	SEE TABLE AT RIGHT
4009□□□				
4012□□□				
4018□□□				
4023□□□				

C/C: GA80□	TERMINAL SYMBOL	WIRE RANGE AWG (mm ²)	TERMINAL SCREW	CLAMPING TORQUE N.m. (lb.in.)
2018□□□	⊕	14 - 8 (2.5 - 10)	M4	1.2 - 1.5 (10.6 - 13.3)
2021□□□				
4007□□□				
4009□□□				
4012□□□				
2030□□□	⊕	14 - 8 (2.5 - 10)	M5	2.0 - 2.5 (17.7 - 22.1)
2042□□□				
4018□□□				
4023□□□				

□ Denotes A-Z

Note: Refer to applicable codes and standards for proper wire type and size.

1	REVISED KIT PART NUMBER
0	INITIAL RELEASE



DRWN.	J. MATTAS	6-28-18
CHKD.	J. PIOTROWSKI	7-9-18
TECH.	L. UDDIN	7-16-18
APRV.	J. CAIRO	8-21-18

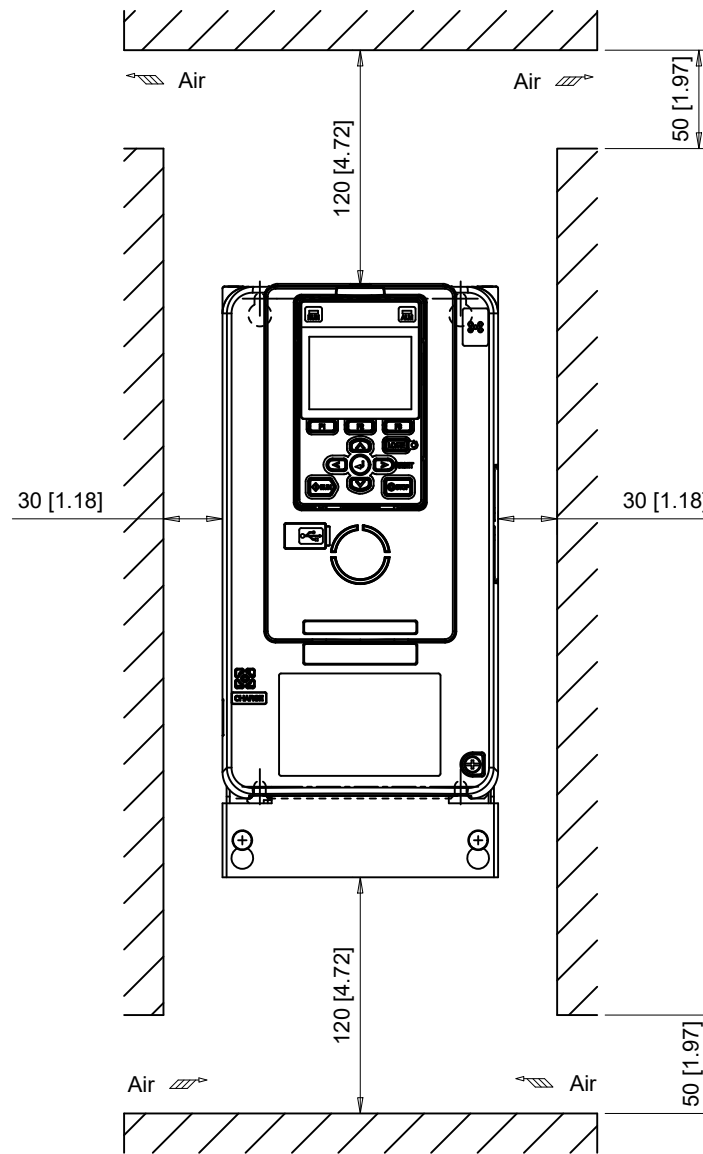
UNITS	MM [IN]
SCALE	1:3

TITLE	GA800 DIMENSION DRAWING FRAME SIZE 1.5 NEMA TYPE 1 ENCLOSURE
-------	--

SIZE	A	PAGE	2 OF 3
DWG.NO.	DD.GA80.FR1.5.N1		

REV	1
-----	---

Minimum Installation Clearances



Note:
For alternate mounting configurations, consult manual.

1	REVISED KIT PART NUMBER
0	INITIAL RELEASE

YASKAWA

UNITS MM [IN]
SCALE 1:4

DRWN.	J. MATTAS	6-28-18
CHKD.	J. PIOTROWSKI	7-9-18
TECH.	L. UDDIN	7-16-18
APRV.	J. CAIRO	8-21-18

TITLE	GA800 DIMENSION DRAWING FRAME SIZE 1.5 NEMA TYPE 1 ENCLOSURE
-------	--

SIZE A	PAGE 3 OF 3
DWG.NO.	DD.GA80.FR1.5.N1

REV	1
-----	---