

The dimensions shown are for an IP20 Type Drive that has been converted to a NEMA Type 1 Drive by adding the parts from NEMA 1 Kit part number 900-192-121-002

C/C:	INPUT VOLTAGE	WEIGHT	COOLING
GA80□	3-PHASE (VAC)	Kg (lb)	FANS
2056□□□	200 TO 240	7.0 (15.4)	2
4031□□□	380 TO 480	7.0 (15.4)	2
4038□□□		7.0 (15.4)	2

□ denotes A-Z

1	REVISED KIT PART NUMBER
0	INITIAL RELEASE

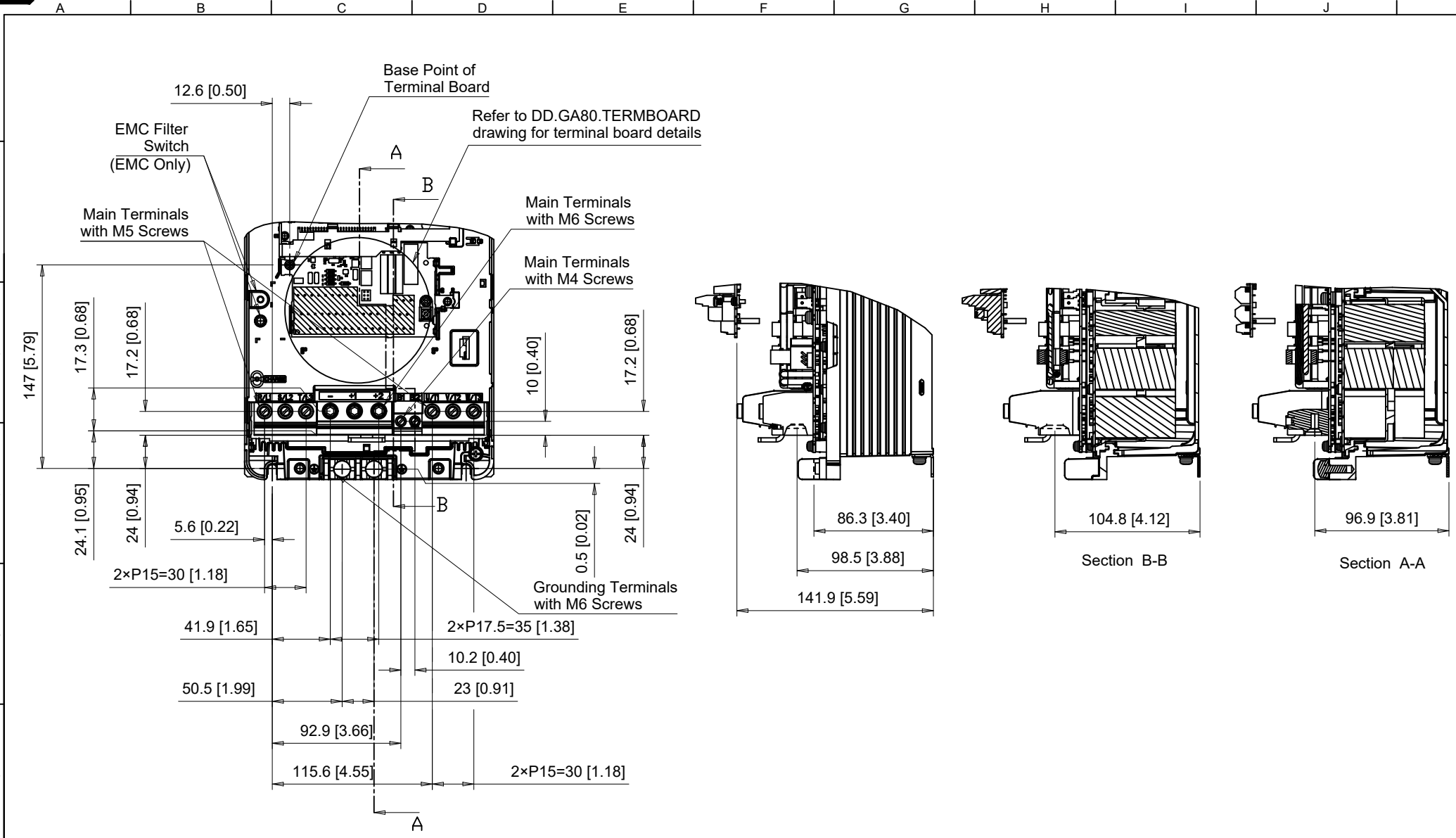


DRWN.	J. MATTAS	6-28-18
CHKD.	J. PIOTROWSKI	7-9-18
TECH.	L. UDDIN	7-16-18
APRV.	J. CAIRO	8-21-18

UNITS	MM [IN]
SCALE	1:5

DRWN.	J. MATTAS	6-28-18
CHKD.	J. PIOTROWSKI	7-9-18
TECH.	L. UDDIN	7-16-18
APRV.	J. CAIRO	8-21-18

TITLE	GA800 DIMENSION DRAWING FRAME SIZE 2 NEMA TYPE 1 ENCLOSURE
SIZE	A
PAGE	1 OF 3
REV	1
DWG.NO.	DD.GA80.FR2.N1



C/C: GA80□	TERMINAL SYMBOL	WIRE RANGE AWG (mm <sup>2</sup> )	TERMINAL SCREW	CLAMPING TORQUE N.m. (lb.in.)
2056□□□	R/L1, S/L2, T/L3	8 - 2 (10 - 35)	M5	4.1 - 4.5 (36 - 40)
4031□□□	U/T1, V/T2, W/T3	8 - 2 (10 - 35)	M5	4.1 - 4.5 (36 - 40)
4038□□□	-, +1, +2	14 - 2/0 (10 - 70)	M6	5 - 5.5 (45 - 49)
	B1, B2	14 - 6 (2.5 - 16)	M4	1.5 - 1.7 (13.5 - 15)
	⊕	10 - 6 (6 - 16)	M6	5.4 - 6.0 (47.8 - 53.1)

□ Denotes A-Z  
 Note: Refer to applicable codes and standards for proper wire type and size.

1	REVISED KIT PART NUMBER
0	INITIAL RELEASE



DRWN.	J. MATTAS	6-28-18
CHKD.	J. PIOTROWSKI	7-9-18
TECH.	L. UDDIN	7-16-18
APRV.	J. CAIRO	8-21-18

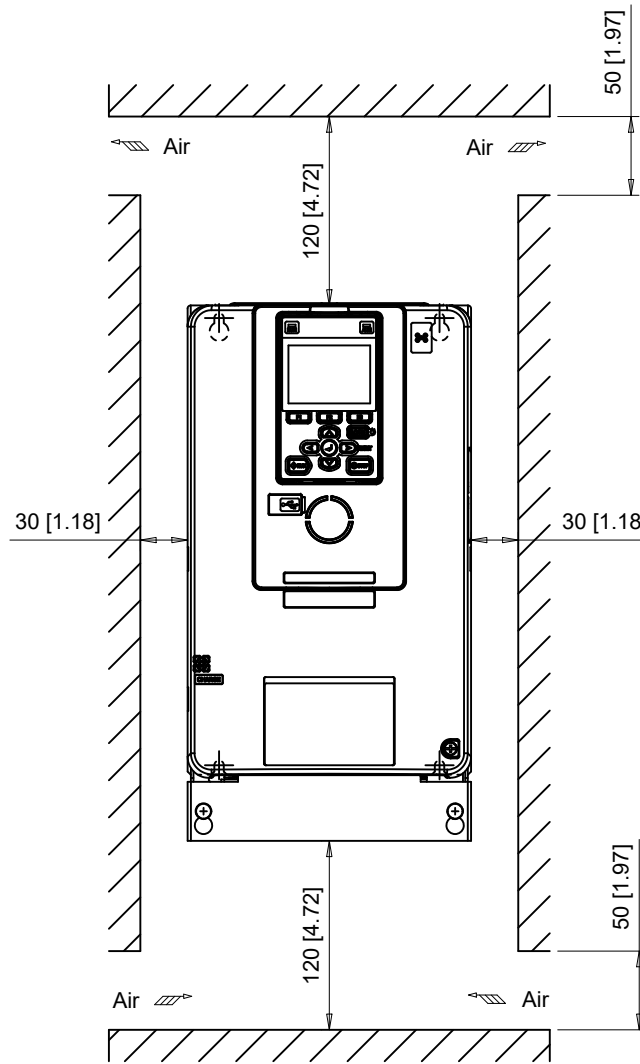
UNITS	MM [IN]
SCALE	1:4

TITLE	GA800 DIMENSION DRAWING FRAME SIZE 2 NEMA TYPE 1 ENCLOSURE
-------	--

SIZE	A	PAGE	2 OF 3
DWG.NO.	DD.GA80.FR2.N1		

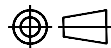
REV	1
-----	---

Minimum Installation Clearances



Note:  
For alternate mounting configurations, consult manual.

**YASKAWA**



UNITS MM [IN]  
SCALE 1:5

DRWN.	J. MATTAS	6-28-18
CHKD.	J. PIOTROWSKI	7-9-18
TECH.	L. UDDIN	7-16-18
APRV.	J. CAIRO	8-21-18

TITLE  
GA800 DIMENSION DRAWING  
FRAME SIZE 2  
NEMA TYPE 1 ENCLOSURE

SIZE A	PAGE 3 OF 3
DWG.NO.	
DD.GA80.FR2.N1	

REV  
1